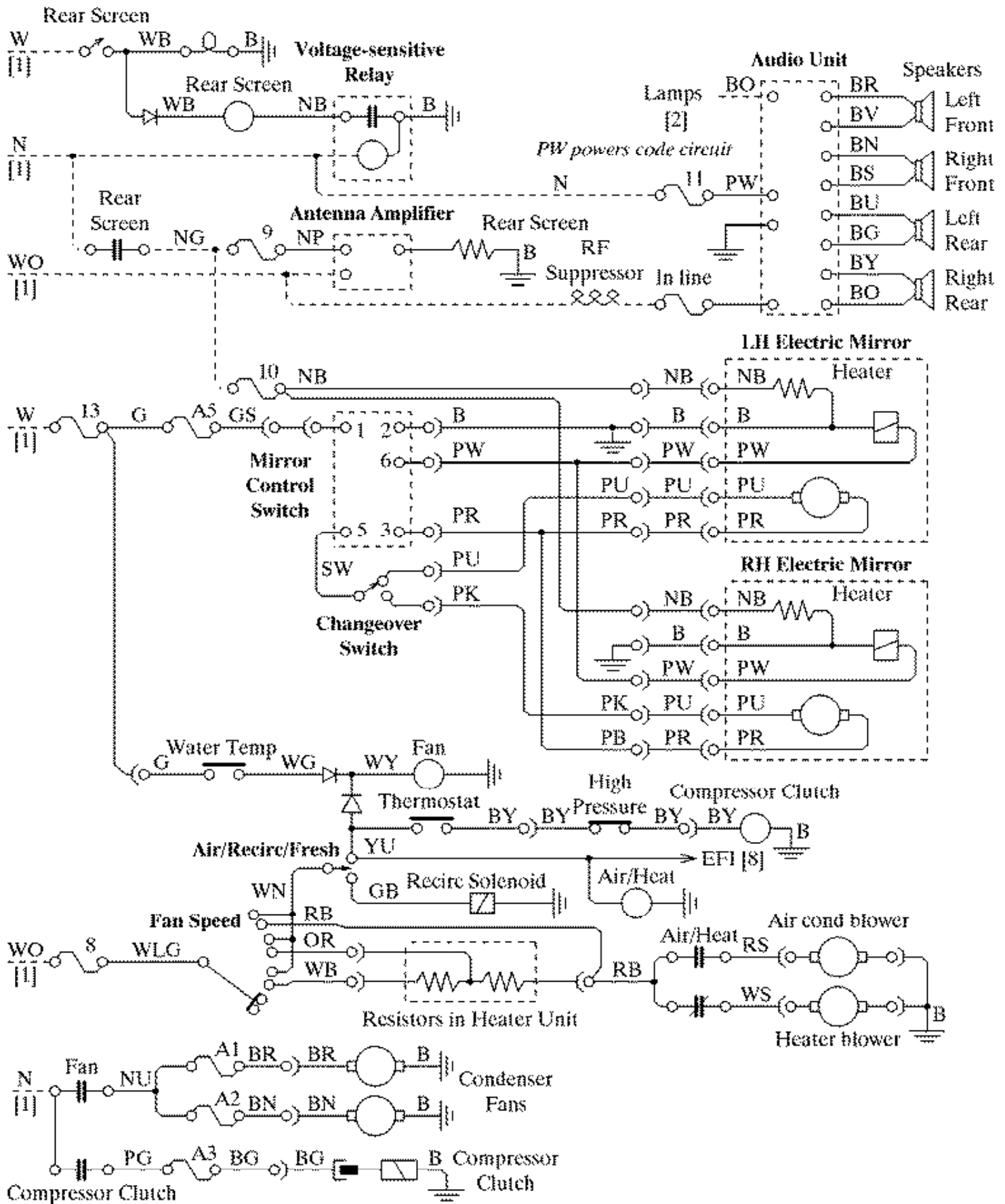
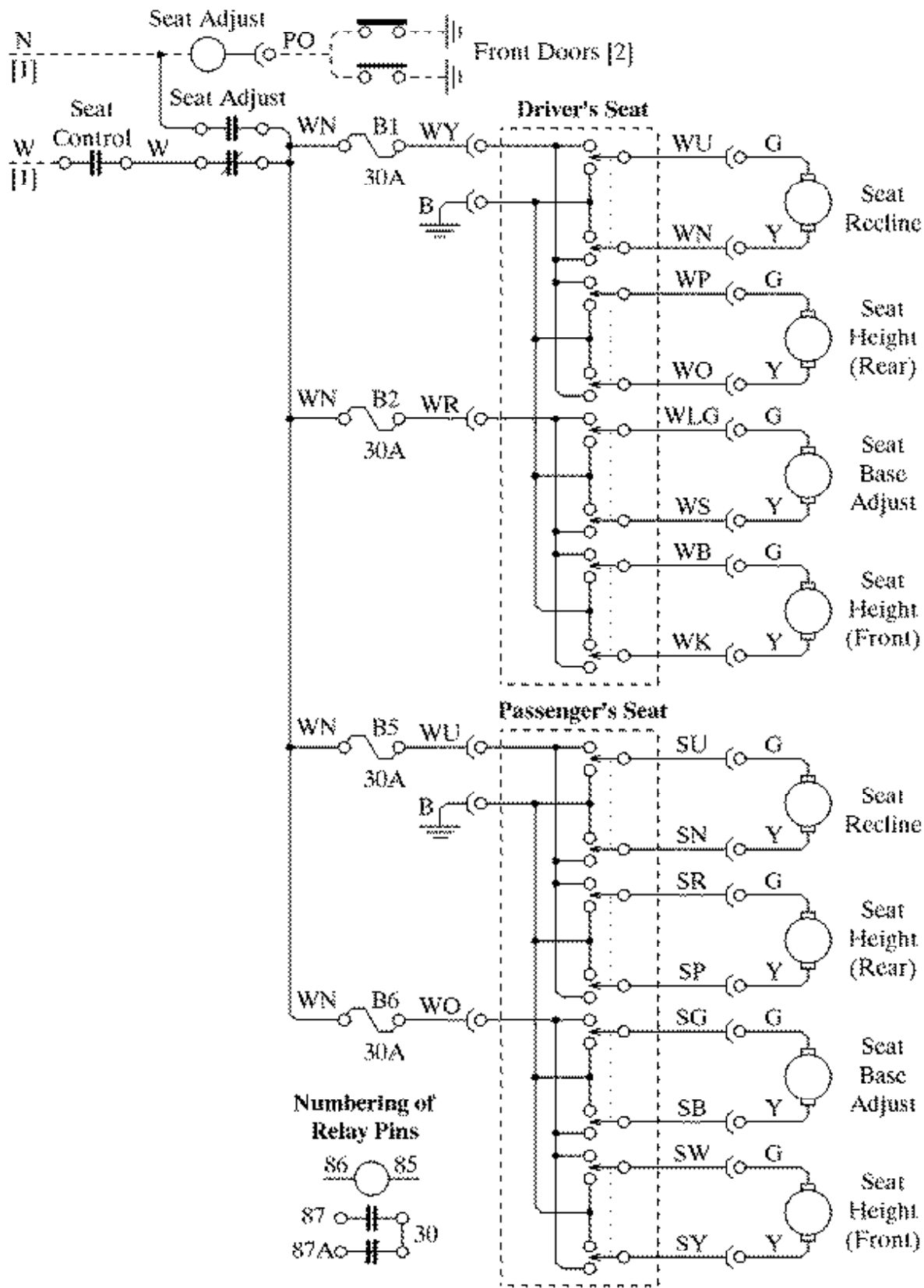


Significance of Warning Lights	
Oil	flashing: oil level steady: oil pressure
Ignition	faint: battery voltage low full on: alternator belt, alternator
Transmission	shift to lower gear
Fuel	13l (3.5 USG) left
Check engine	emission-related service due
Trailer	trailer turn signal working



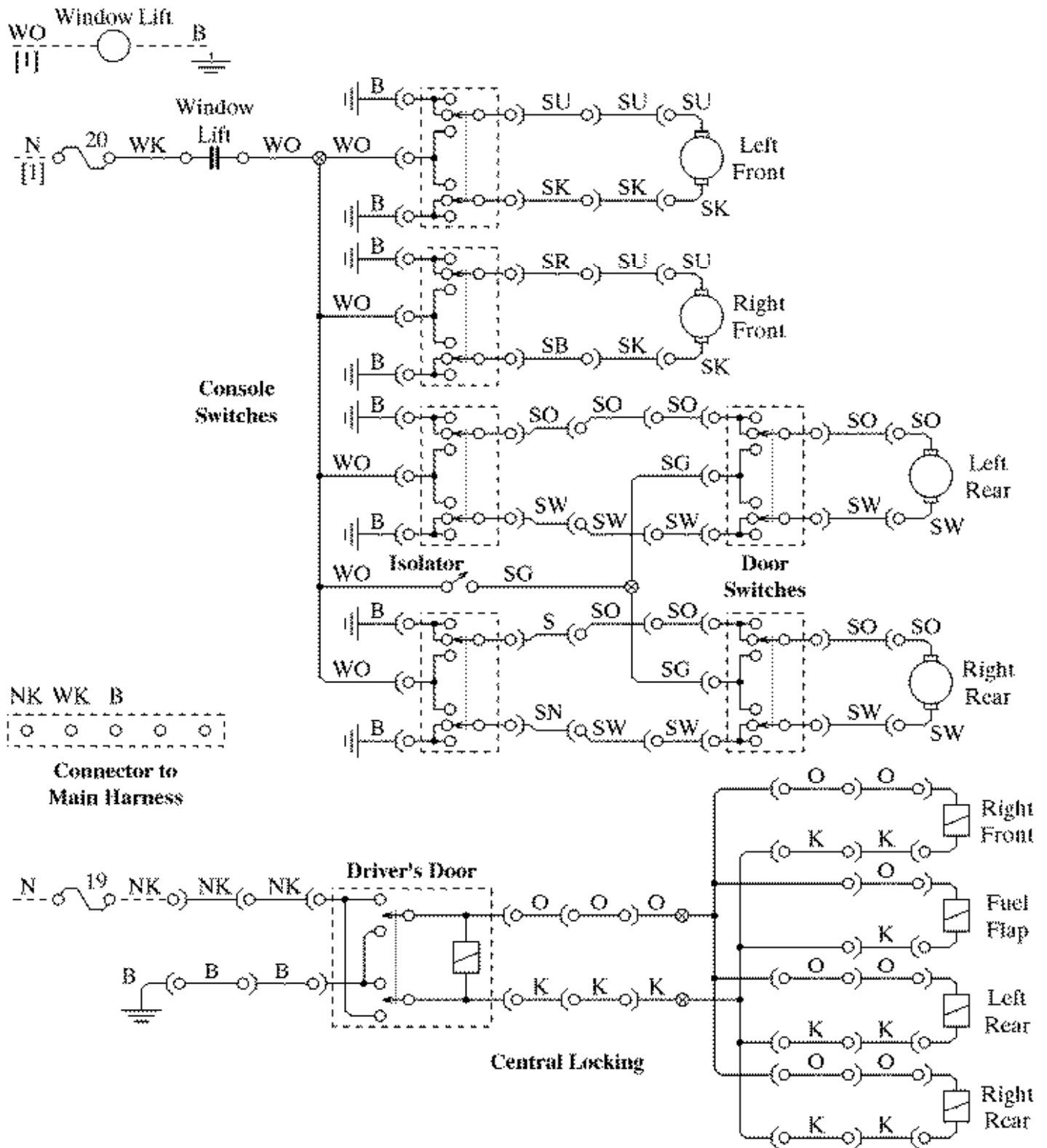
1988 RANGE ROVER
Seat Adjustment

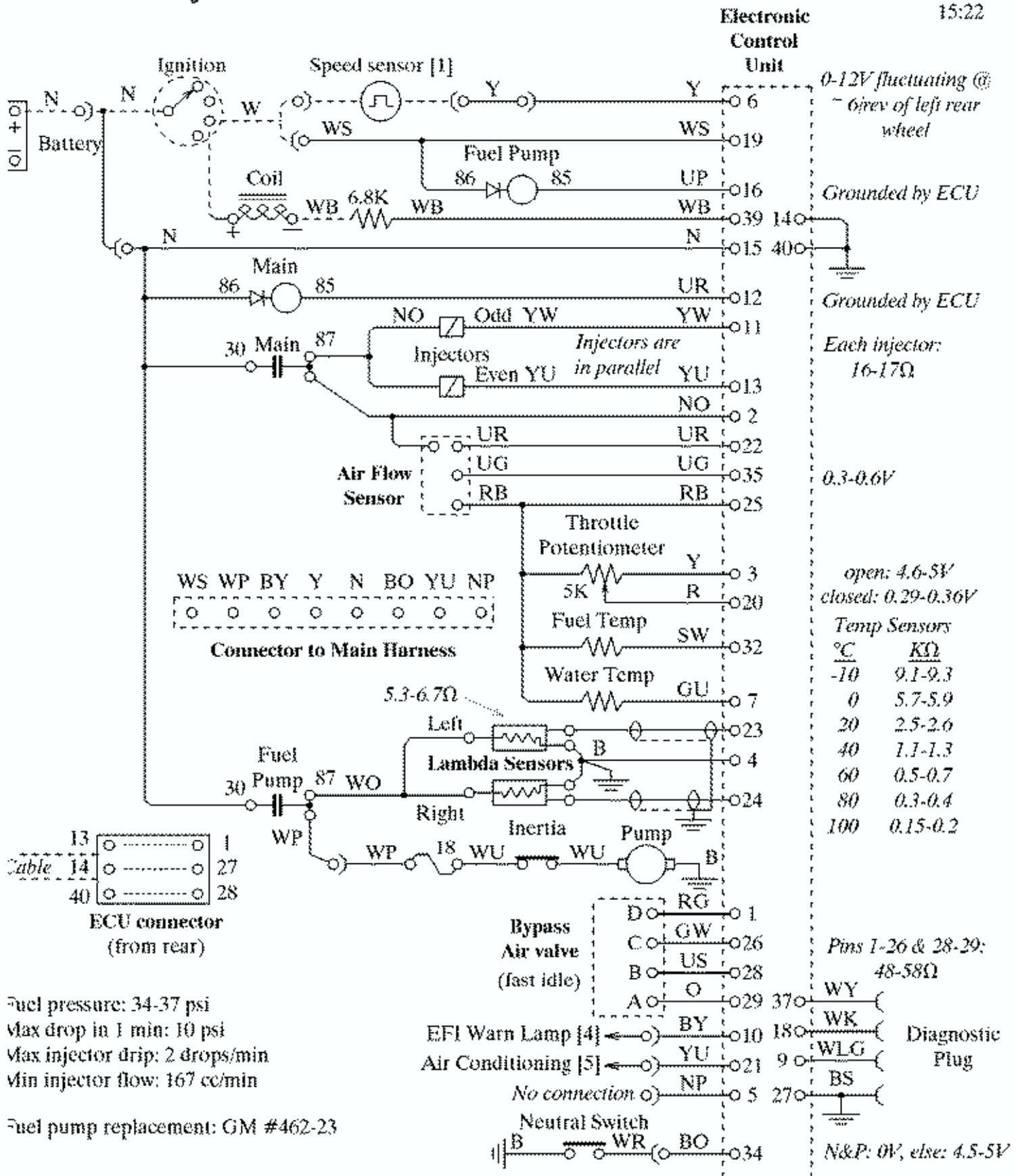
SHEET 6
 10 Oct 95
 16:03



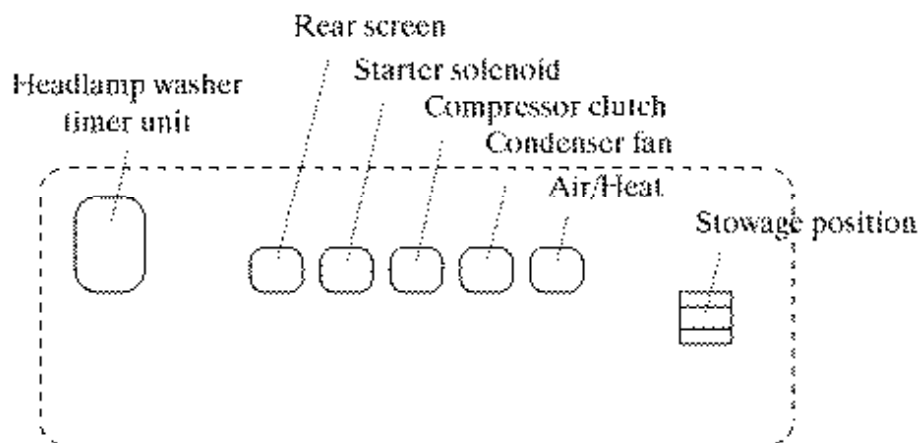
1988 RANGE ROVER
Window Lifts, Central Locking

SHEET 7
 24 Jan 95
 22:04

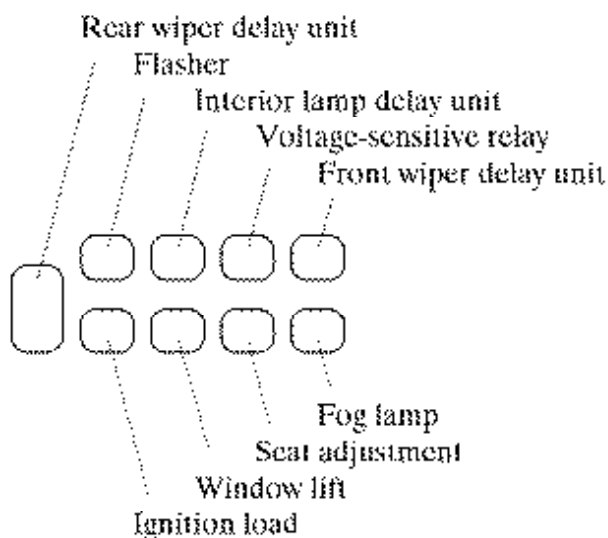




EFI warning on, but runs OK: First try disconnecting battery for 2 mins (caveat: radio will lose power!) then: read air flow sensor, lambda sensor, water temp sensor or throttle pot; or fouled spark plug



Closure panel viewed from engine compartment,
with protective cover removed



Top view of steering column mounted relays
with lower fascia panel removed



Under right front seat

(just reachable from rear)

Seat control relay and inertia switch are under left front seat