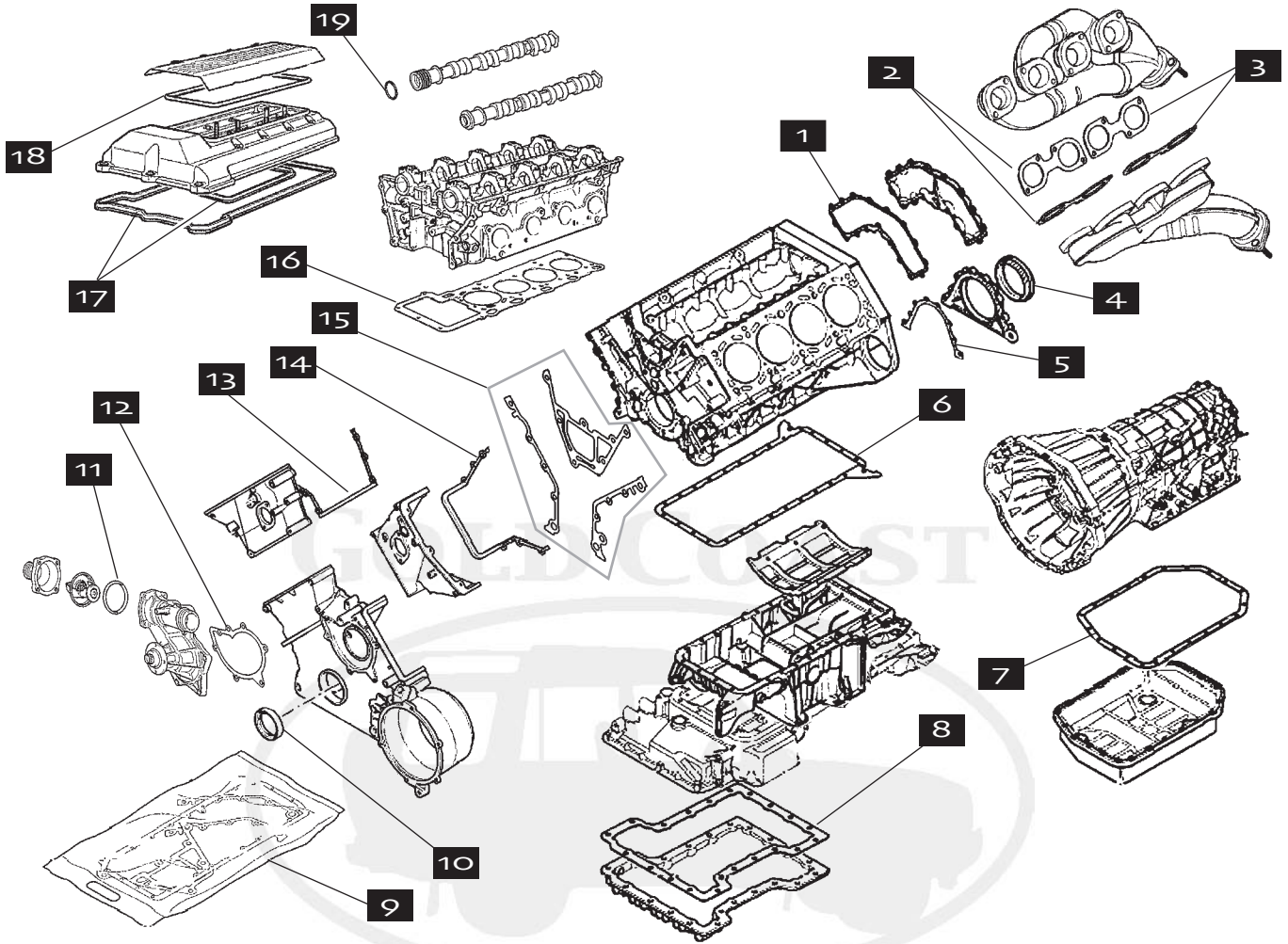
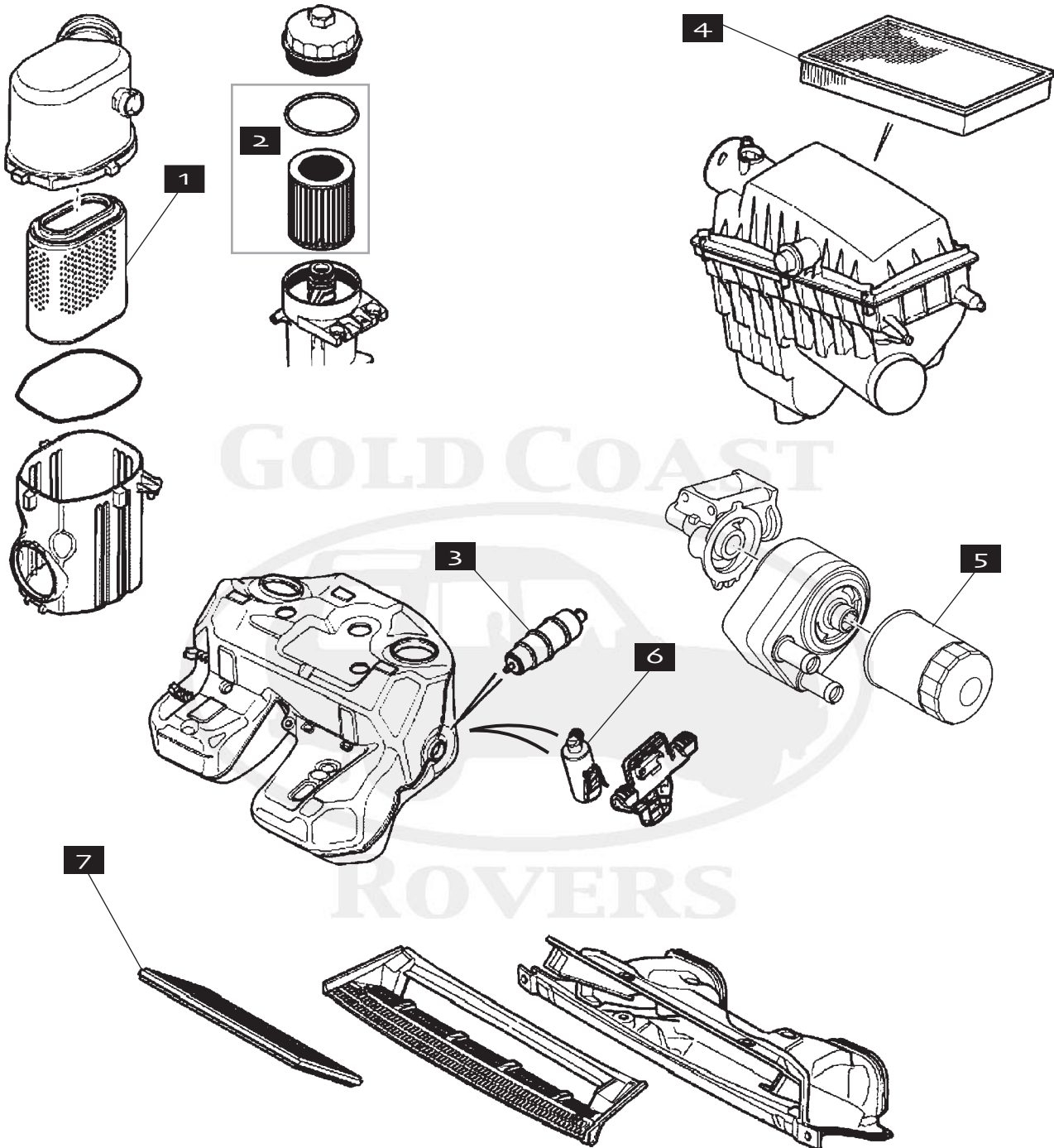


Description	Order Number	Explanatory Notes	Qty
1. Oil Pump	RV-LPF000010	BMW V-8	1
2. O-Ring, Tube, Lower	RV-LYX000030	BMW V-8	1
3. O-Ring, Tube, Upper	RV-LYX000070	BMW V-8	1
4. O-Ring, Small Tube	RV-LYX000060	BMW V-8	1
5. O-Ring, to Pick-up Tube	RV-LYX000080	BMW V-8	1
6. Sprocket, On Oil Pump	RV-LIH000010	BMW V-8	1
7. Drive Chain, Oil Pump	RV-LRC000020	BMW V-8	1
8. Engine Mount, LH	RV-KKB000270	BMW V-8	1
8. Engine Mount, RH	RV-KKB000280	BMW V-8	1
9. Transmission Mount	RV-KQB000040	BMW V-8, Rubber Isolator on transmission cradle.	1
10. Engine Mount, RH	RV-KKB500490	Jaguar V-8	1
11. Engine Mount, LH	RV-KKB500470	Jaguar V-8	1
12. Transmission Mount	RV-KQB500460	Jaguar V-8	1



Description	Order Number	Explanatory Notes	Qty
1. Gasket, Engine Block Rear Cover	RV-LDX000020	BMW V-8	1
2. Exhaust Manifold Gasket	RV-LKG000100	Front, BMW V-8	2
3. Exhaust Manifold Gasket	RV-LKG000110	Rear, BMW V-8	2
4. Crankshaft Seal, Rear	RV-LUF000020	BMW V-8	1
5. Gasket, Rear Crankshaft Seal Retainer	RV-LYF000160	BMW V-8	1
6. Oil Sump Gasket, Upper	RV-LVF000030	BMW V-8	1
7. Pan Gasket, Transmission	RV-TYF000110	BMW V-8	1
8. Oil Sump Gasket, Lower	RV-LVF000040	BMW V-8	1
9. Gasket Set, Engine	RV-LVQ000020	Does not include head gaskets, BMW V-8	1
10. Seal, Crankshaft, Front	RV-LUF000010	BMW V-8	1
11. Thermostat O-Ring	RV-PES000020	BMW V-8	1
12. Water Pump Gasket	RV-PET000050	BMW V-8	1
13. Front Cover Gasket, RH	RV-LJQ000050	BMW V-8	1
14. Front Cover Gasket, LH	RV-LJQ000040	BMW V-8	1
15. Gasket Set, Front Cover	RV-LVQ000040	Three Pieces, BMW V-8	1
16. Head Gasket, RH	RV-LVB000340	1.74mm, BMW V-8	1
16. Head Gasket, RH	RV-LVB000350	2.07mm, BMW V-8	1
16. Head Gasket, LH	RV-LVB000360	1.74mm, BMW V-8	1
16. Head Gasket, LH	RV-LVB000370	2.07mm, BMW V-8	1
17. Cam Cover Gasket, RH	RV-LVP000050	BMW V-8	1
17. Cam Cover Gasket, LH	RV-LVP000060	BMW V-8	1
18. Cylinder Head Cover Gasket	RV-LVP000030	BMW V-8	2
19. Front Seal, Camshafts	RV-LUC000010	BMW V-8	3

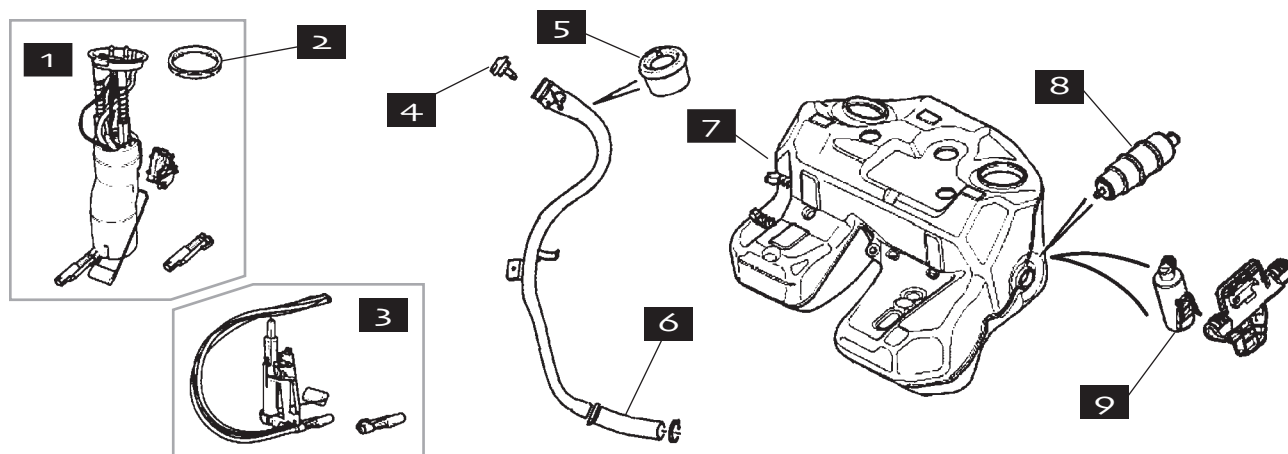
* Denotes Aftermarket Part



RANGE ROVER III, 2003-ON

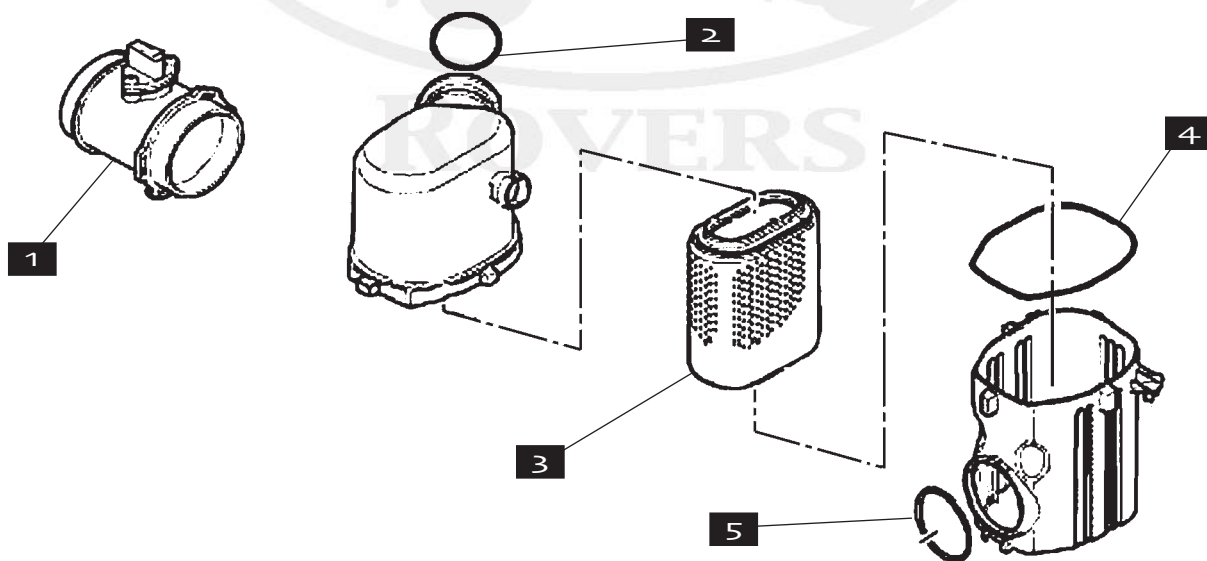
Description	Order Number	Explanatory Notes	Qty
1. Air Filter	RV-PHE000050	BMW V-8	1
2. Oil Filter, OE	RV-LPW000010	BMW V-8, Cartridge Type	1
2. Oil Filter, Aftermarket	RV-LPW000010/X	BMW V-8, Cartridge Type	1
3. Fuel Filter	RV-WFL000021	BMW V-8 Only, Inline	1
4. Air Filter	RV-PHE500021	Jaguar V-8, Supercharged or Normally Aspirated	1
5. Oil Filter	RV-4508334	Jaguar V-8, Supercharged or Normally Aspirated	1
6. Fuel Filter	RV-WTG000010	BMW V-8, Jaguar V-8, Complete Valve Assembly	1
7. Pollen/Cabin Filter	RV-JMO000010	All	1

FUEL SYSTEM, RANGE ROVER III



Description	Order Number	Explanatory Notes	Qty
1. Fuel Pump & Sender	RV-WFX500010	BMW V-8, Complete Assembly	1
2. Gasket, Pump to Tank	RV-WGQ500020	BMW V-8	1
3. Fuel Pump & Sender	RV-WGI500010	BMW V-8, Pump & Sender "guts" only	1
4. Fuel Filler Cap	RV-WLD000070PUY	To 3A132477	1
4. Fuel Filler Cap	RV-LR002239	From 3A132478	1
5. Grommet, Fuel Filler Pipe	RV-WMK000010		1
6. Hose, Filler Pipe to Tank	RV-WJH000120		1
7. Fuel Tank	RV-WFE000172	BMW V-8	1
8. Fuel Filter	RV-WFL000021	BMW V-8	1

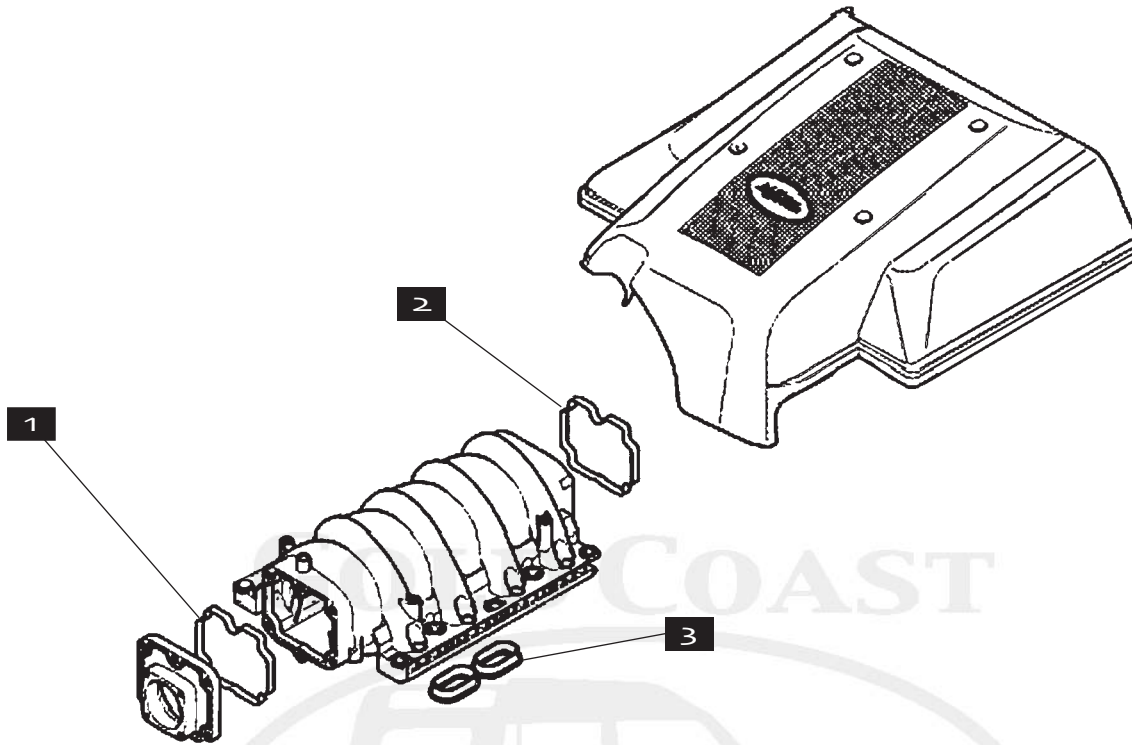
AIR FLOW METER, RANGE ROVER III, BMW V-8



Description	Order Number	Explanatory Notes	Qty
1. Air Flow Meter	RV-MHK000230	BMW V-8	1
2. Gasket, Air Filter Housing, Upper	RV-PHN000020	BMW V-8	1
3. Air Filter	RV-PHE000050	BMW V-8	1
4. Gasket, Air Filter Lid	RV-PHN000030	BMW V-8	1
5. Gasket, Air Filter Housing, Lower	RV-PKX000050	BMW V-8	1

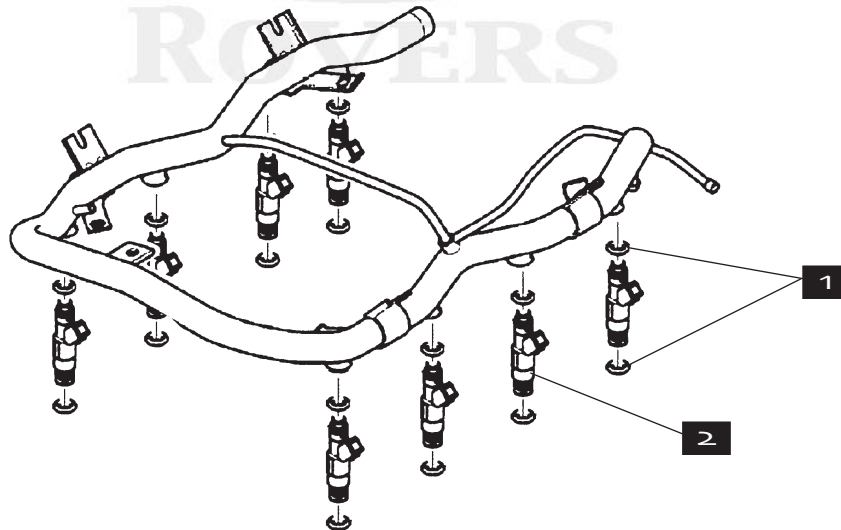
* Denotes Aftermarket Part

INLET MANIFOLD, RANGE ROVER III, BMW V-8

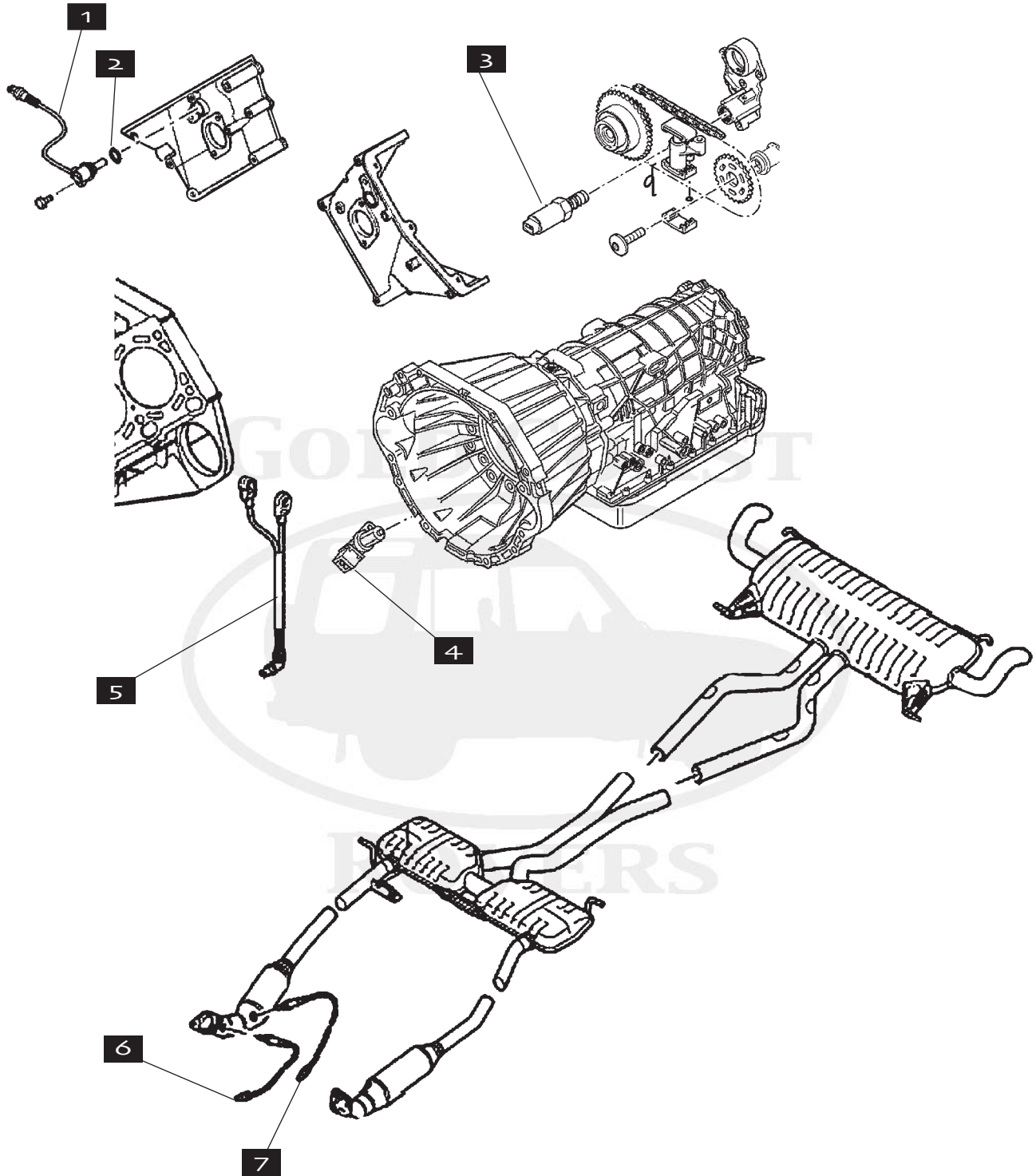


Description	Order Number	Explanatory Notes	Qty
1. Gasket, front of plenum	RV-LKJ000050	BMW V-8	1
2. Gasket, rear of plenum	RV-LKJ000060	BMW V-8	1
3. Ring Gaskets, Bottom of Manifold	RV-LKJ000040	BMW V-8	8

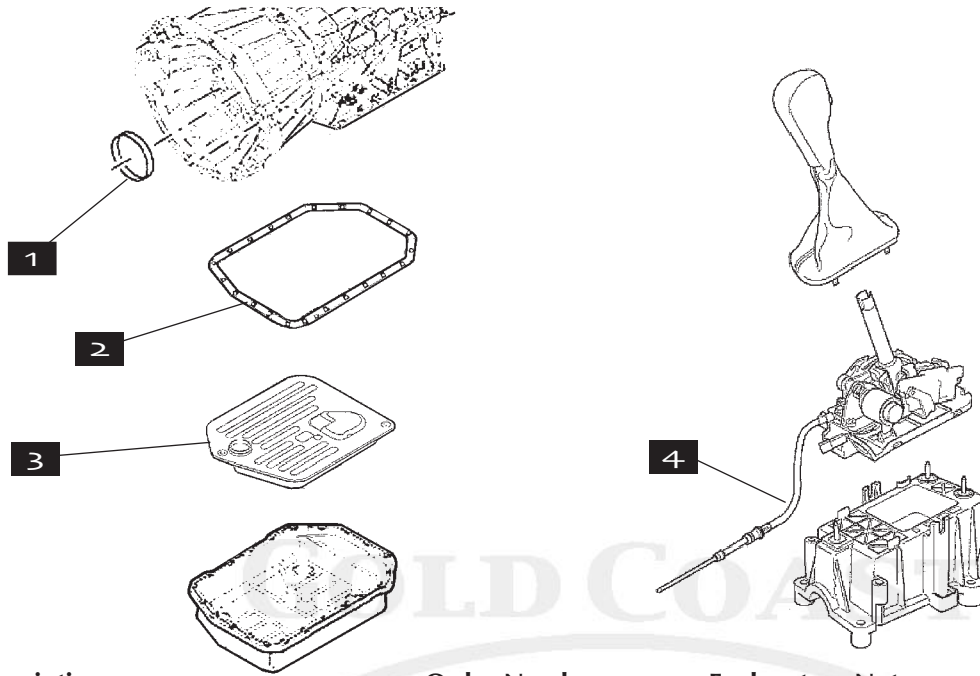
FUEL RAIL, RANGE ROVER III



Description	Order Number	Explanatory Notes	Qty
1. O-Ring, Injector Seal	RV-MYX000050	BMW V-8	16
2. Fuel Injector	RV-MJY000060	BMW V-8	8
2. Fuel Injector	RV-4526563	Jaguar V-8, Non-Supercharged	8
2. Fuel Injector	RV-4650544	Jaguar V-8, Supercharged	8

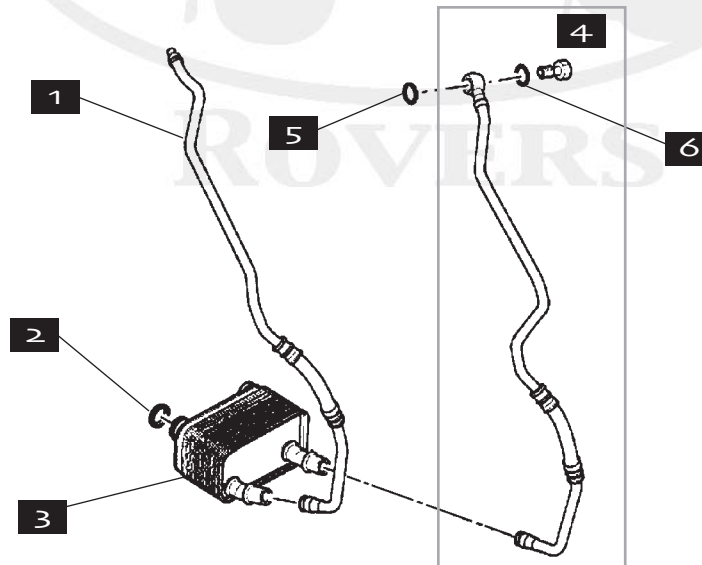


Description	Order Number	Explanatory Notes	Qty
1. Position Sensor, Camshafts	RV-8510301	BMW V-8	1
2. O-Ring, Position Sensor	RV-NYX100070L	BMW V-8	1
3. Solenoid, Variable Valve Timing	RV-8510260	BMW V-8	1
4. Position Sensor, Crankshaft	RV-NSC000050	BMW V-8	1
5. Knock Sensor	RV-NSC000090	BMW V-8	1
6. Oxygen Sensor, Upper	RV-MHK000210	BMW V-8	2
7. Oxygen Sensor, Lower	RV-MHK000220	BMW V-8	2



Description	Order Number	Explanatory Notes	Qty
1. Front Seal	RV-RTC5102	BMW V-8	1
2. Filter	RV-LPW000030	BMW V-8	1
3. Pan Gasket	RV-TYF000110	BMW V-8	1
4. Control Cable	RV-UCV000010	BMW V-8	1

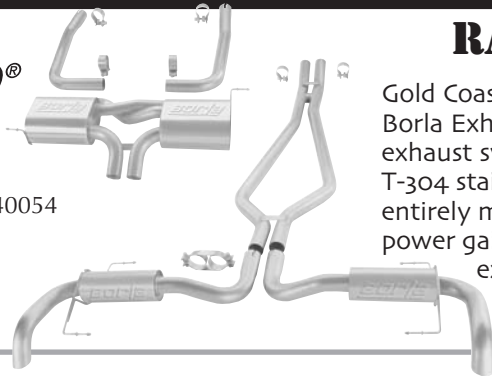
GEARBOX OIL COOLER, RANGE ROVER III



Description	Order Number	Explanatory Notes	Qty
1. Cooler Pipe/Hose	RV-UBP000161	Without Banjo Fitting, BMW V-8	1
2. Sealing Washer, Oil Cooler	RV-PYX000070	BMW V-8	2
3. Oil Cooler	RV-PFD000020	BMW V-8	1
4. Cooler Pipe/Hose	RV-UBP000180	With Banjo Fitting, BMW V-8	1
5. Ring, on Banjo	RV-PYX100230	Between transmission and hose, BMW V-8	1
6. Washer, on banjo	RV-UYF000010	Between bolt and hose, BMW V-8	1

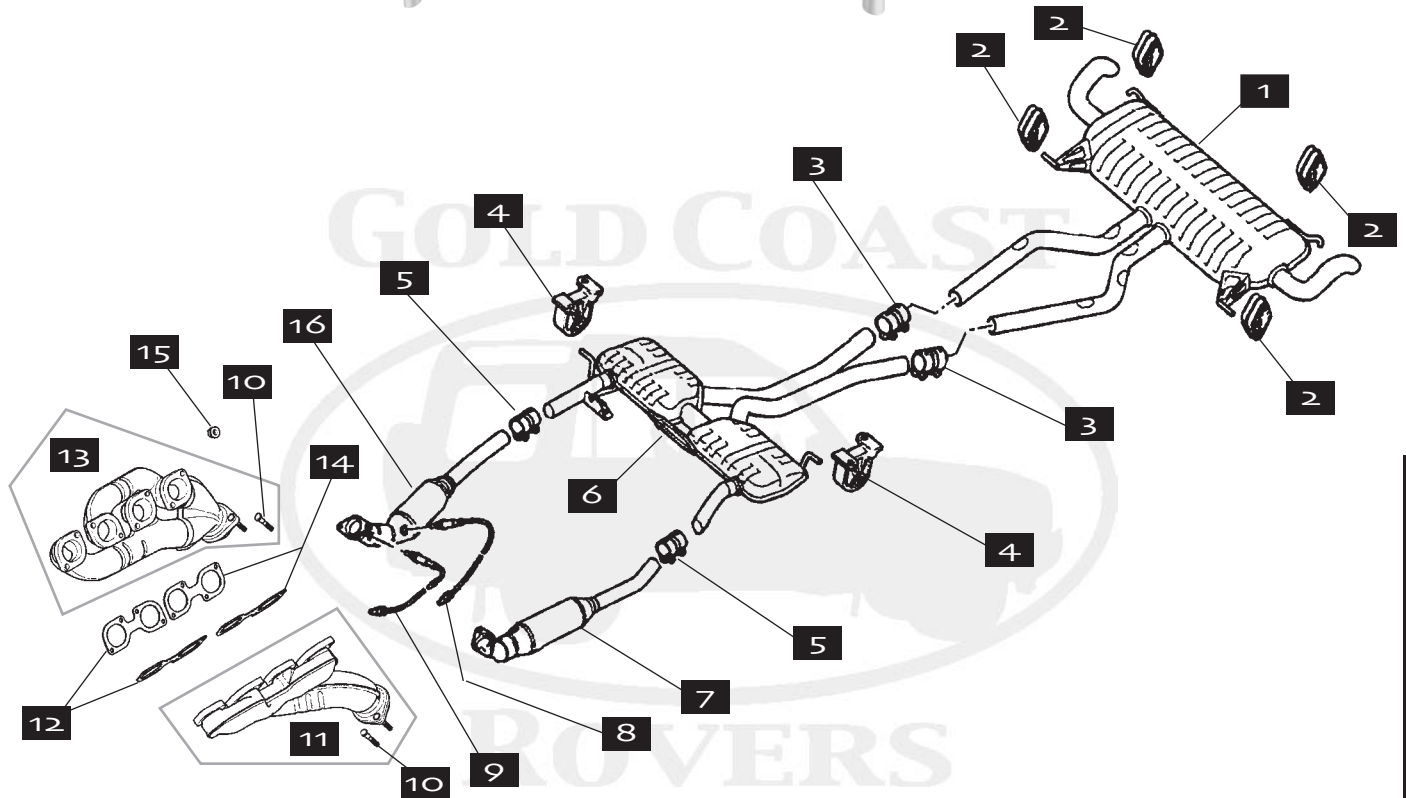


2003-on Range Rover.....RV-140054



RANGE ROVER BORLA

Gold Coast Rovers is a Warehouse Distributor for Borla Exhaust, the leader in late-model performance exhaust systems. Made entirely of aircraft-quality T-304 stainless steel, these "cat-back" systems are entirely mandrel-bent for smooth flow and noticeable power gains. Give your Land Rover a distinctive exhaust note and more power with a Borla stainless steel exhaust system.

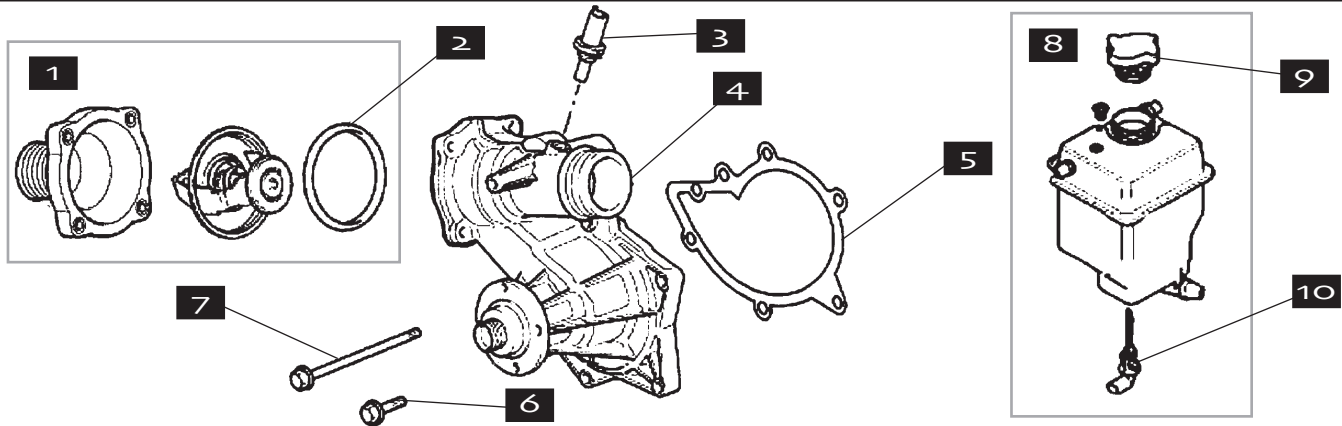


Description	Order Number	Explanatory Notes	Qty
1. Rear Muffler Assembly	RV-WCE000414	To 4A172463, BMW V-8	1
1. Rear Muffler Assembly	RV-WCE500240	4A17464-on, BMW V-8	1
2. Rubber Mount, Rear Muffler Assembly	RV-WCS000110	BMW V-8	4
3. Clamp, Center to Rear Muffler	RV-WCC000020	BMW V-8	2
4. Mount, Center Muffler	RV-WCU000260	BMW V-8	2
5. Clamp	RV-WCC000010	Downpipe/Catalysts to center muffler, BMW V-8	2
6. Center Muffler Assembly	RV-WCE000403	To 4A172463, BMW V-8	1
6. Center Muffler Assembly	RV-WCE500230	4A17464-on, BMW V-8	1
7. Downpipe/Catalyst, LH	RV-WAG000190	BMW V-8	1
8. Oxygen Sensor, Lower	RV-MHK000220	BMW V-8	2
9. Oxygen Sensor, Upper	RV-MHK000210	BMW V-8	2
10. Stud, Manifolds to Catalysts	RV-LYG000190	Two per manifold, BMW V-8	4
11. Exhaust Manifold, LH	RV-LKC000460	BMW V-8	1
12. Exhaust Manifold Gasket	RV-LKG000100	Forward, BMW V-8	2
13. Exhaust Manifold, RH	RV-LKC000450	BMW V-8	1
14. Exhaust Manifold Gasket	RV-LKG000110	Rearward, BMW V-8	2
15. Nut, Manifolds to Heads	RV-LYH000130	BMW V-8	16
16. Downpipe/Catalyst, RH	RV-WAG000180	BMW V-8	1

RANGE ROVER III, 2003-ON

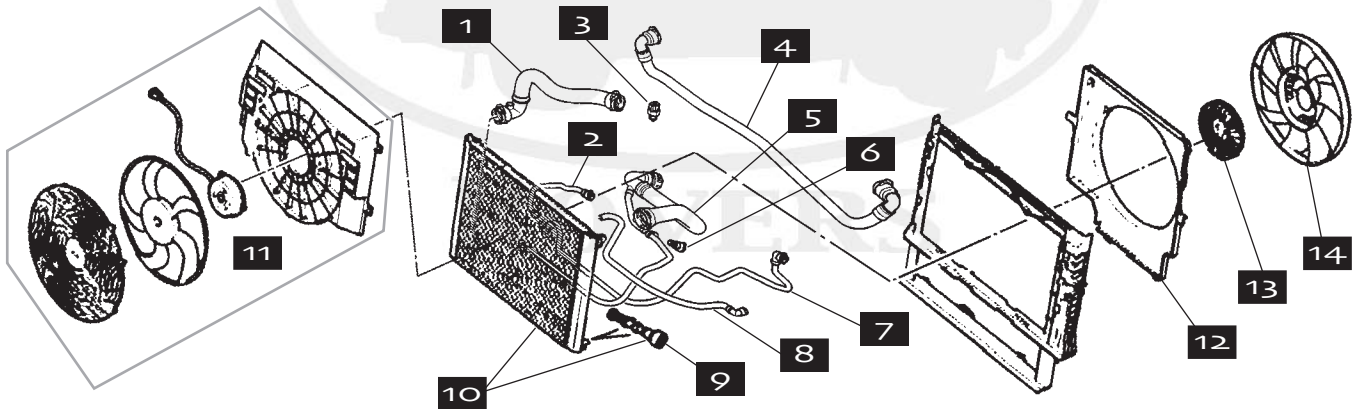
* Denotes Aftermarket Part

WATER PUMP/EXPANSION TANK, BMW V-8, RANGE ROVER III



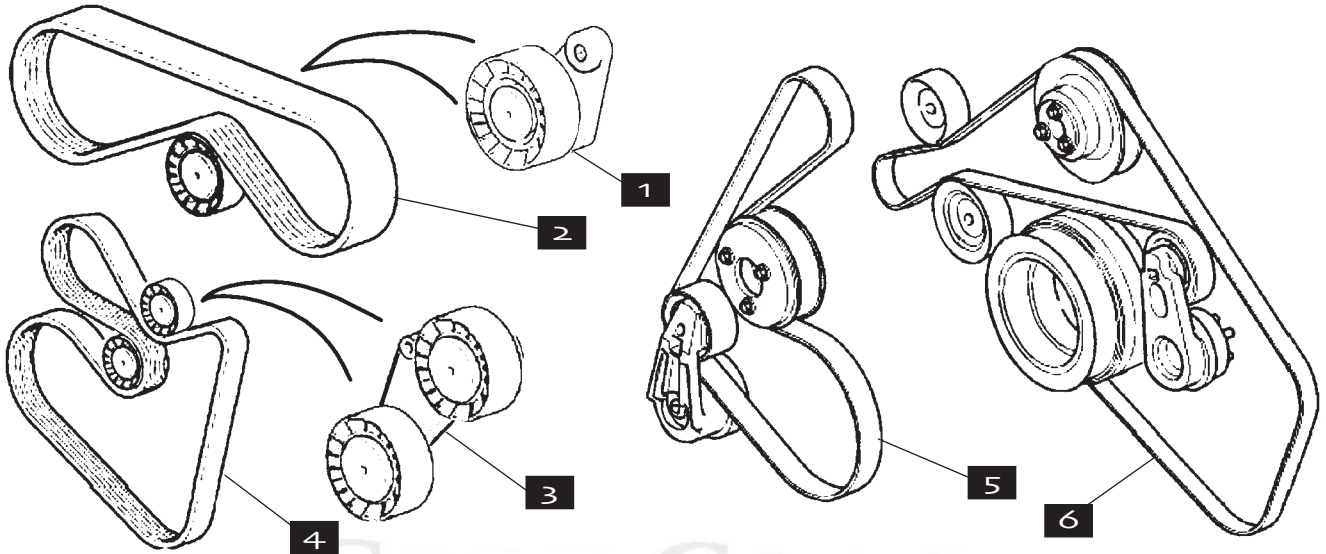
Description	Order Number	Explanatory Notes	Qty
1. Thermostat Assembly	RV-PEL000060		1
2. O-Ring, Thermostat	RV-PES000020		1
3. Temp Sender In Pump	RV-1703993		1
4. Water Pump	RV-8510324	Rebuilt	1
5. Gasket, Water Pump	RV-PET000050		1
6. Bolt, Water Pump, M6 x 30mm	RV-VYP000190		4
7. Bolt, Water Pump, M6 x 100mm	RV-VYP000110		2
8. Expansion Tank	RV-PCF000033	Includes switch but not cap	1
9. Cap, Expansion Tank	RV-PCD000070		1
10. Switch, Low Coolant Level Warning	RV-PCJ500020		1

RADIATOR & HOSES, BMW V-8, RANGE ROVER III



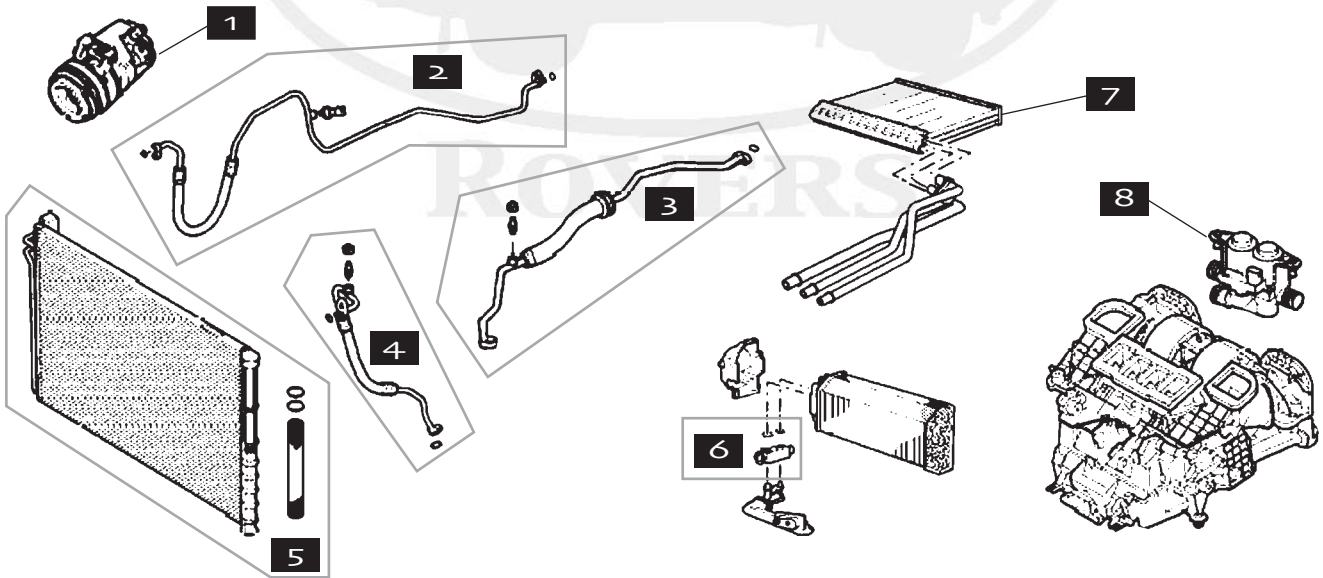
Description	Order Number	Explanatory Notes	Qty
1. Hose Assembly, Lower	RV-PCH001121	BMW V-8	1
2. Hose, Valve to Pump	RV-PCH001140	BMW V-8	1
3. Engine Temperature Sensor	RV-MEK105210	BMW V-8	1
4. Hose Assembly	RV-PCH001600	BMW V-8	1
5. Hose Assembly, Upper	RV-PCH001110	BMW V-8	1
6. Cap	RV-PER000010	BMW V-8	1
7. Hose, Reservoir to Thermostat	RV-PCH001130	BMW V-8	1
8. Hose, Expansion Tank Overflow	RV-PCH001150	BMW V-8	1
9. Drain Plug, Radiator	RV-LCM000010		1
10. Radiator	RV-PCC000850		1
12. Shroud, Fan Assembly	RV-PGK000030		1
13. Fan Clutch	RV-PGB000040		1
14. Fan Assembly	RV-PGG000041		1

BELTS, RANGE ROVER III, 2003-ON



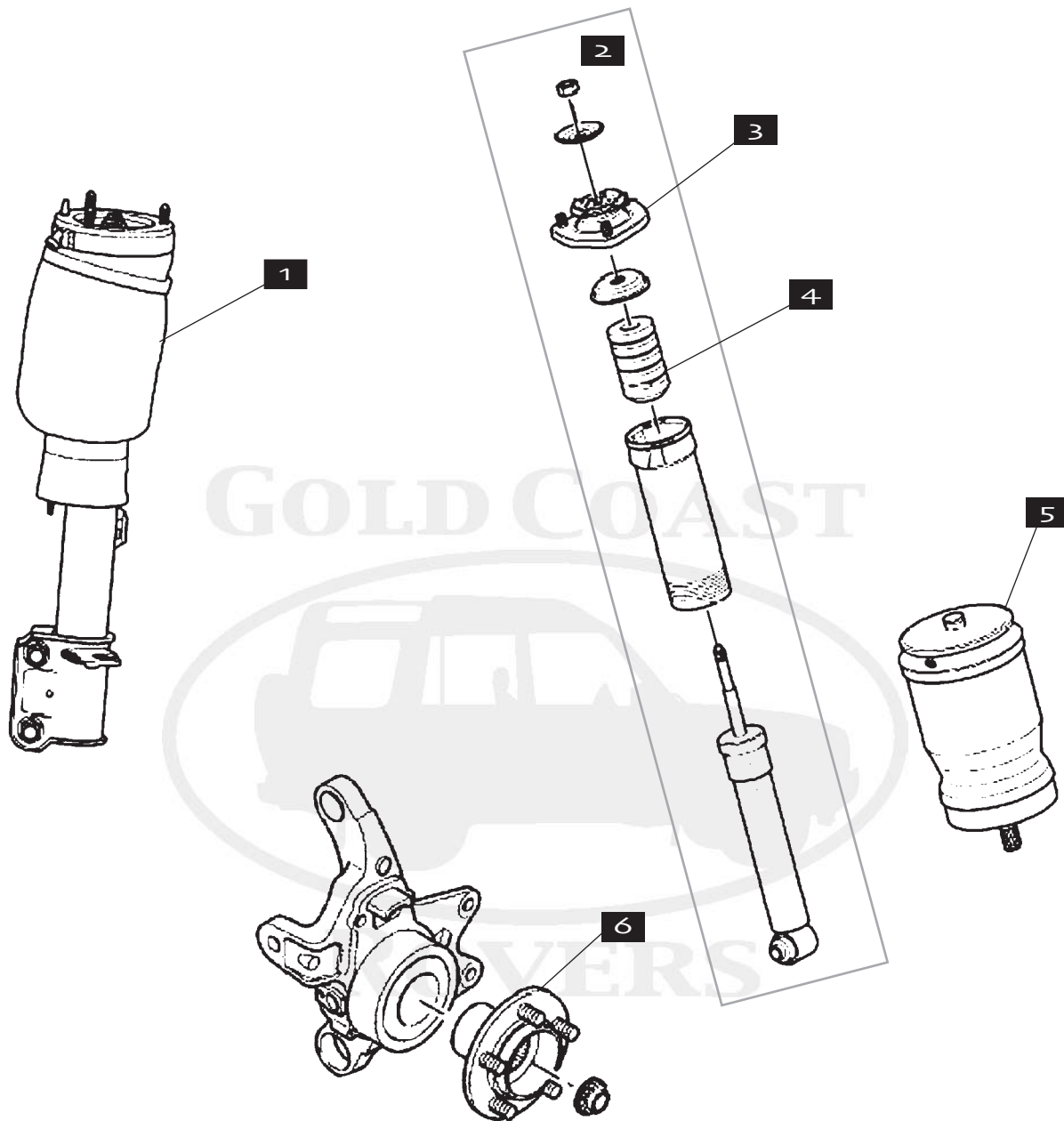
Description	Order Number	Explanatory Notes	Qty
1. Tensioner Assembly, Serpentine Belt	RV-PQR000170	BMW V-8	1
2. Serpentine Belt	RV-PQS000100	BMW V-8	1
3. Tensioner Assembly, A/C Belt	RV-PQR000180	BMW V-8	1
4. Air Conditioning Compressor Belt	RV-PQS000220	BMW V-8	1
5. Serpentine Belt, Secondary	RV-PQS500221	Jaguar V-8, non supercharged	1
5. Serpentine Belt, Secondary	RV-PQS500241	Jaguar V-8 supercharged, drives supercharger	1
6. Serpentine Belt, Primary	RV-PQR500240	Jaguar V-8, All	1

A/C & HEATER, RANGE ROVER III



Description	Order Number	Explanatory Notes	Qty
1. Compressor	RV-JPB000110	BMW V-8	1
2. A/C Hose, Evaporator to Compressor	RV-JUE500560	BMW V-8	1
3. A/C Hose	RV-JUE500580	BMW V-8	1
4. A/C Hose, Condenser to Compressor	RV-JUE500570	BMW V-8	1
5. Condenser	RV-JRW000020	BMW V-8	1
6. Expansion Valve	RV-JQD000050	BMW V-8	1
7. Heater Core/Matrix	RV-JEF000040	BMW V-8	1
8. Heater Valve	RV-JQD000010	BMW V-8	1

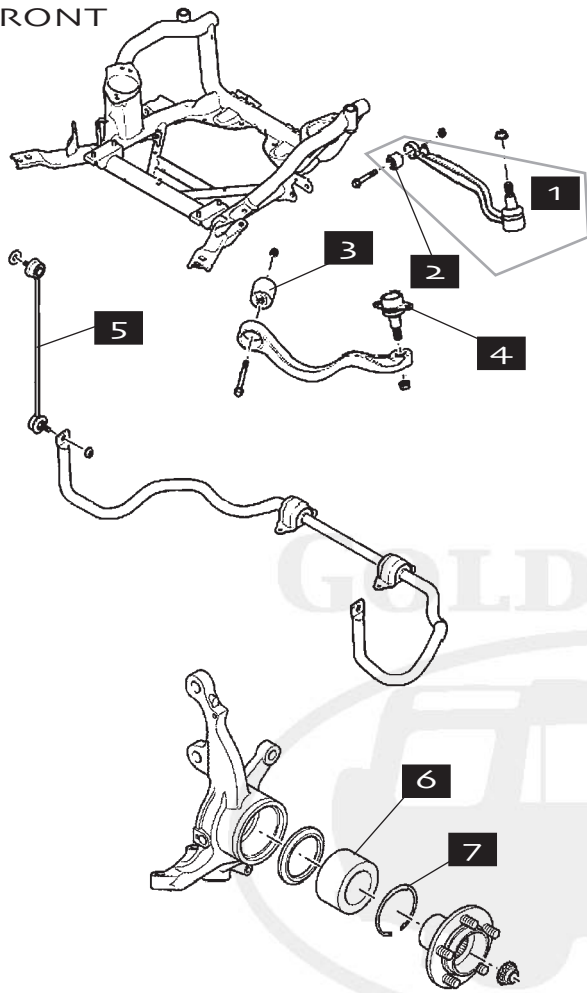
* Denotes Aftermarket Part



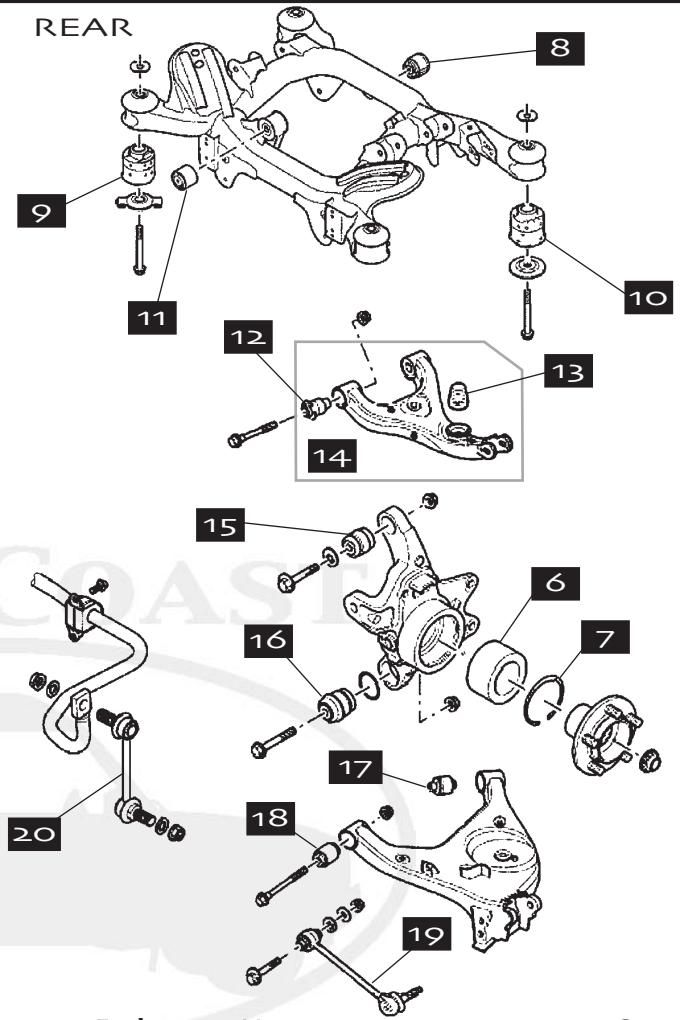
RANGE ROVER III, 2003-ON

Description	Order Number	Explanatory Notes	Qty
1. Front Strut Assembly, RH	RV-RNB000740	All Non-supercharged	1
1. Front Strut Assembly, LH	RV-RNB000750	All Non-supercharged	1
1. Front Strut Assembly, RH	RV-RNB500540	Supercharged	1
1. Front Strut Assembly, LH	RV-RNB500550	Supercharged	1
2. Rear Strut Assembly	RV-RPD500260	RH or LH, All Non-supercharged	2
2. Rear Strut Assembly	RV-RPD500600	RH or LH, Supercharged	2
3. Upper Mount, Rear Shock	RV-RPF000010	All	2
4. Bump Stop, Rear Shock	RV-RPC000030	All	2
5. Air Spring, Rear	RV-RKB500080	All	2
6. Hub, with Studs	RV-RUC000022	All	2

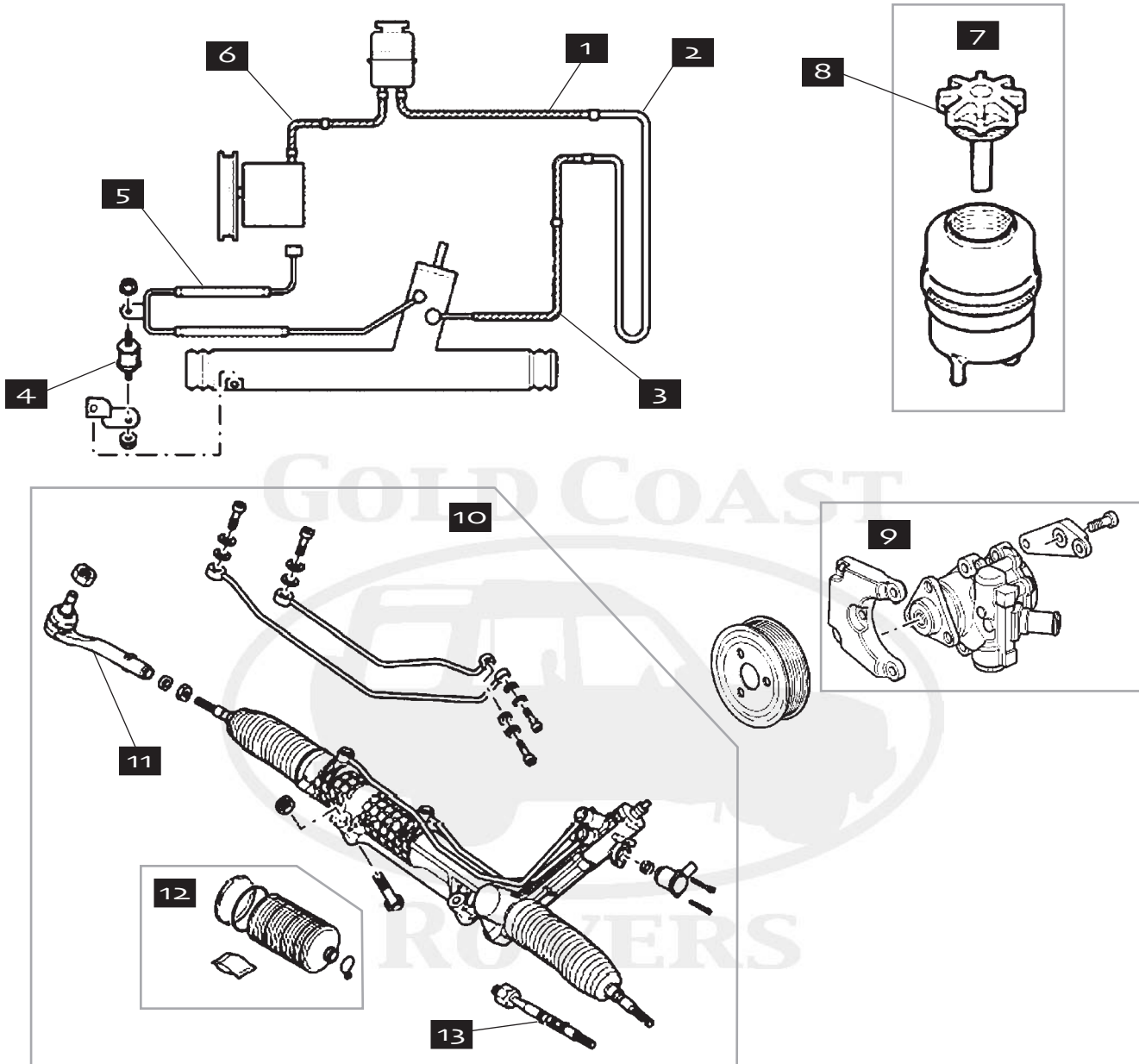
FRONT



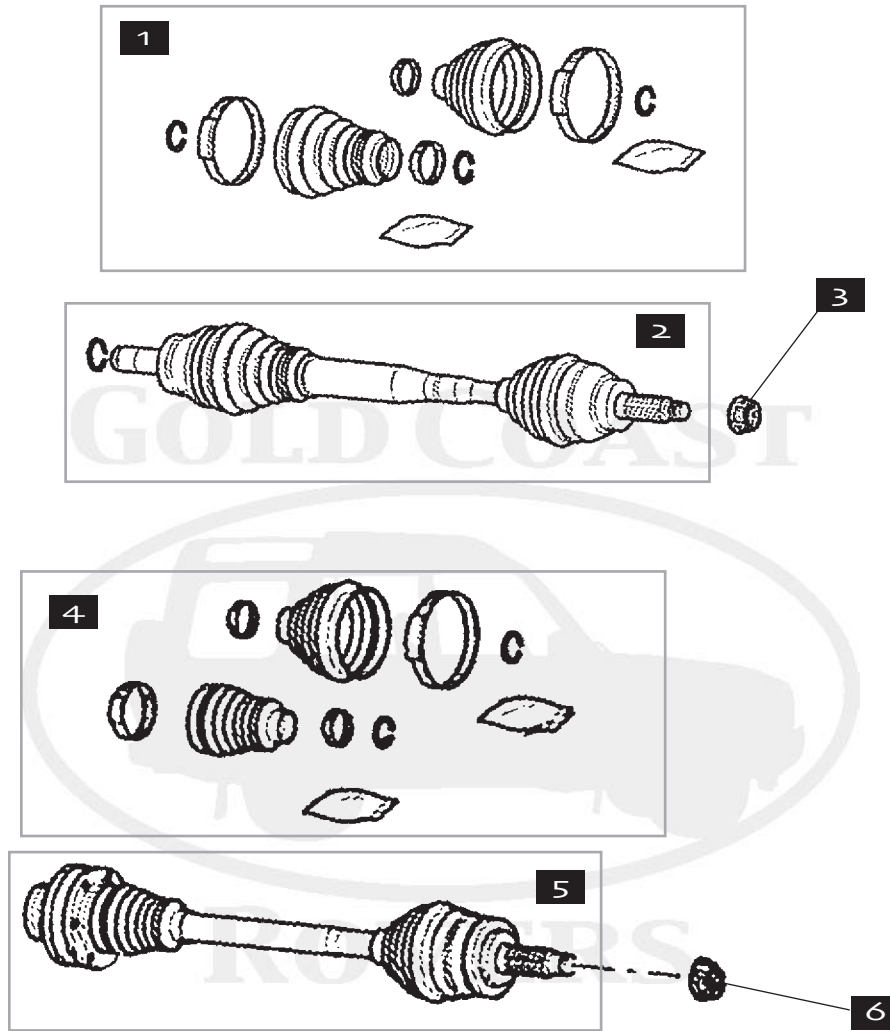
REAR



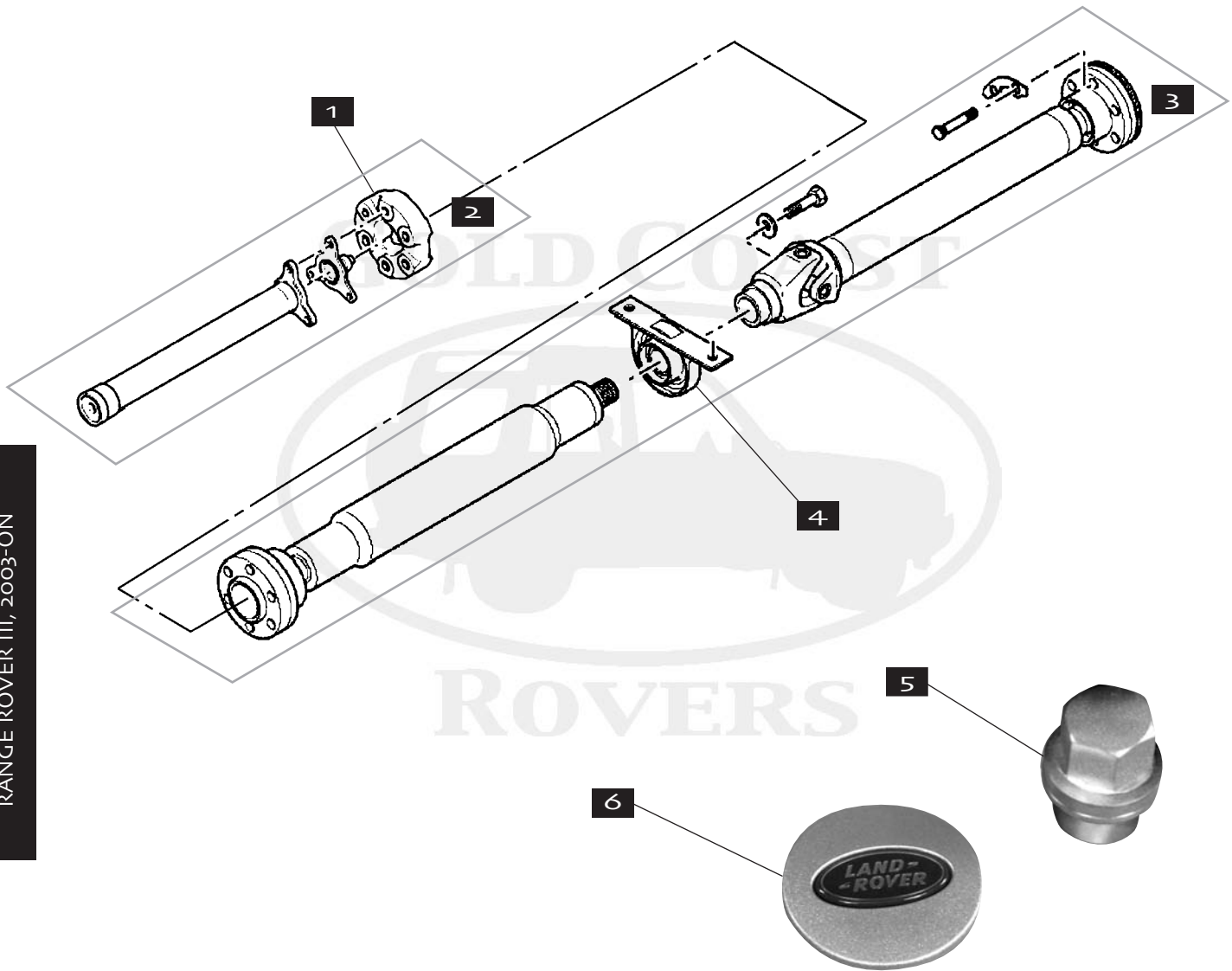
Description	Order Number	Explanatory Notes	Qty
1. Lower Control Arm Assembly	RV-RBJ500710	Includes Arm, bushing and ball joint (ball joint not available separately)	2
2. Bushing Only, Lower Control Arm	RV-RBX000070		2
3. Bushing, Upper Control Arm	RV-RBX000200		2
4. Ball Joint, Upper Control Arm	RV-RBK500150		2
5. Link, Anti-Roll Bar	RV-RBM000011		2
6. Hub Bearing	RV-RLB000011	Front and Rear	4
7. Bearing Circlip Retainer	RV-RUE000010	Front and Rear	4
8. Insulator, Horizontal	RV-KHC000030	Front of Rear Sub frame	1
9. Insulator, Rear of Rear Sub frame	RV-KHC000060		2
10. Insulator, Front of Rear Sub frame	RV-KHC000050		2
11. Insulator, Horizontal	RV-KHC000040	Rear of Rear Sub frame	1
12. Bushing Only, Upper Control Arm	RV-RGX000080		2
13. Bump Stop, Upper Control Arm	RV-KHW000010		2
14. Control Arm Assembly, Upper, RH	RV-RGG000060		1
14. Control Arm Assembly, Upper, LH	RV-RGG000070		1
15. Bushing, Upper, Suspension Upright	RV-RHF000260		2
16. Bushing, Lower, Suspension Upright	RV-RBK000042		2
17. Bushing, Rear, Lower Control Arm	RV-RGX000071		2
18. Bushing, Front, Lower Control Arm	RV-RGX000060		2
19. Tie Arm Assembly	RV-RGD500100		2
20. Link, Rear Anti-Roll Bar	RV-RGD000131	Through 2005	2
20. Link, Rear Anti-Roll Bar	RV-RGD500100	2006-on	2



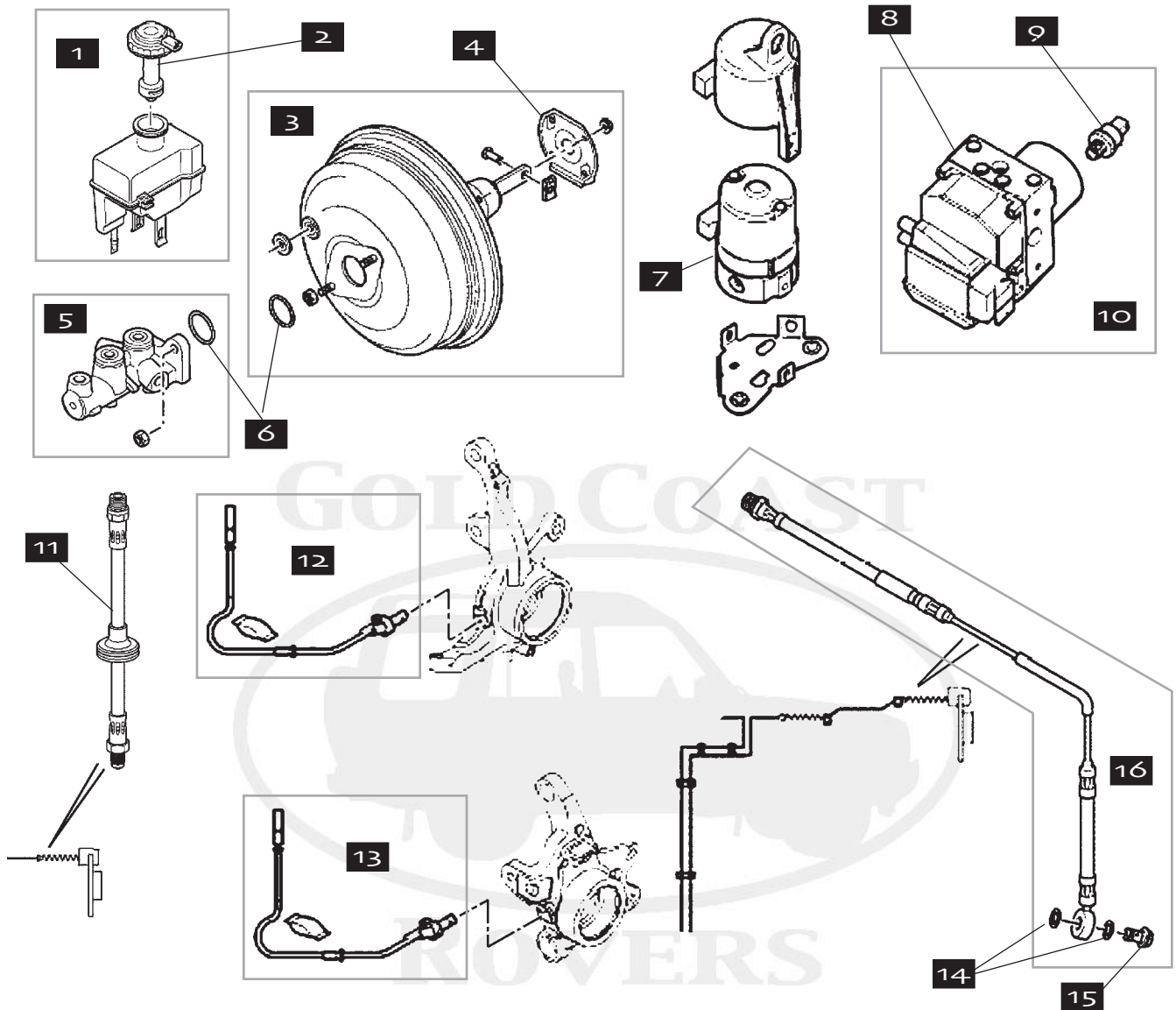
Description	Order Number	Explanatory Notes	Qty
1. Hose, Reservoir to Cooler/Coil	RV-QEH000160	BMW-V8	1
2. Cooler/Coil	RV-QGC500220	BMW-V8	1
3. Hose, Cooler to Steering Rack	RV-QEH000111	BMW-V8	1
4. Isolator/Buffer, Pump to Rack Hose	RV-QVC000010	BMW-V8	1
5. Hose, Pump To Rack	RV-QEP000291	BMW-V8	1
6. Hose, Reservoir to Pump	RV-QEH000103	BMW-V8	1
7. Reservoir Assembly	RV-QFX000071	BMW-V8	1
8. Reservoir Cap Only	RV-QEZ000030	BMW-V8	1
9. Power Steering Pump	RV-QVB000110	BMW-V8	1
10. Power Steering Rack, new	RV-QEB000053	Includes Track Rod Ends; Through 5A99999	1
10. Power Steering Rack, rebuilt	RV-QEB000052E	Includes Track Rod Ends; Through 5A99999	1
10. Power Steering Rack, new	RV-QEB500402	Includes Track Rod Ends; 6A00001 -On	1
11. Track Rod End	RV-TIQ000030	All	2
12. Bellows Kit	RV-QFW000010	All	2
13. Inner Tie Rod	RV-TIQ000040	All	2



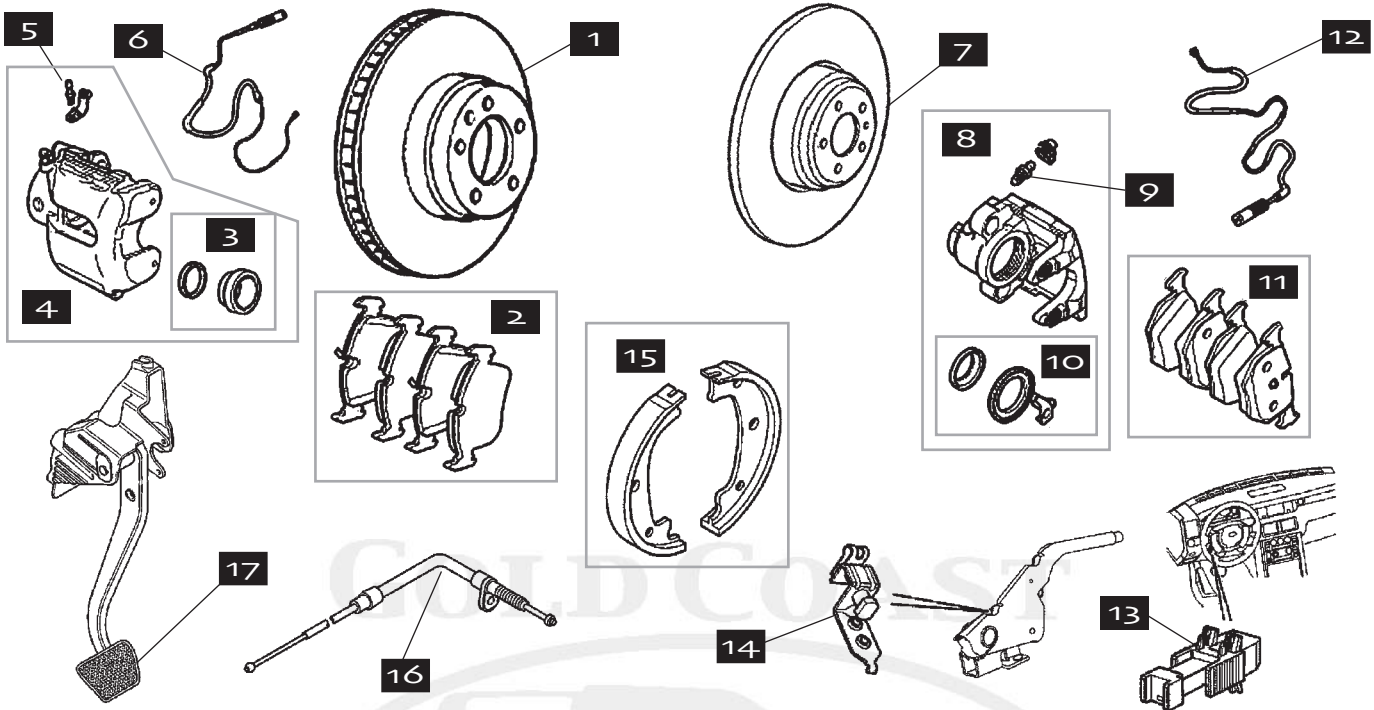
Description	Order Number	Explanatory Notes	Qty
1. Front Axle Boot Kit	RV-TDR000120	One Kit per axle	2
2. Front Drive Axle Assembly, RH	RV-IED500022	All	1
2. Front Drive Axle Assembly, LH	RV-IED500032	All	1
3. Nut, Front Axle, Front	RV-RUH100030	All	2
4. Rear Axle Boot Kit	RV-TDR000130	One kit per axle, All	2
5. Rear Axle Shaft	RV-TOB500330	RH or LH; Through 5A999999	2
5. Rear Axle Shaft	RV-TOB500310	RH; 6A000001-on	1
5. Rear Axle Shaft	RV-TOB500320	LH; 6A000001-on	1
6. Nut, Axle, Rear	RV-RUH100030	All	2



Description	Order Number	Explanatory Notes	Qty
1. Coupling, Front Driveshaft	RV-TIJ000012	All	1
2. Front Driveshaft Assembly	RV-TVB500290	Through 5A999999, BMW V-8	1
2. Front Driveshaft Assembly	RV-TVB500040	6A000001-on, Jaguar V-8	1
3. Rear Driveshaft Assembly	RV-TVB000450	BMW V-8	1
3. Rear Driveshaft Assembly	RV-TVB500400	Jaguar V-8	1
4. Support Bearing, Rear Driveshaft	RV-TOQ000050	All	1
5. Wheel Nut, Alloy Wheels	RV-RRD000011	All	20
6. Center Cap	RV-RRJ500030MNH	Silver Sparkle	4
6. Center Cap	RV-RRJ500030MCM	Bright Polished	4

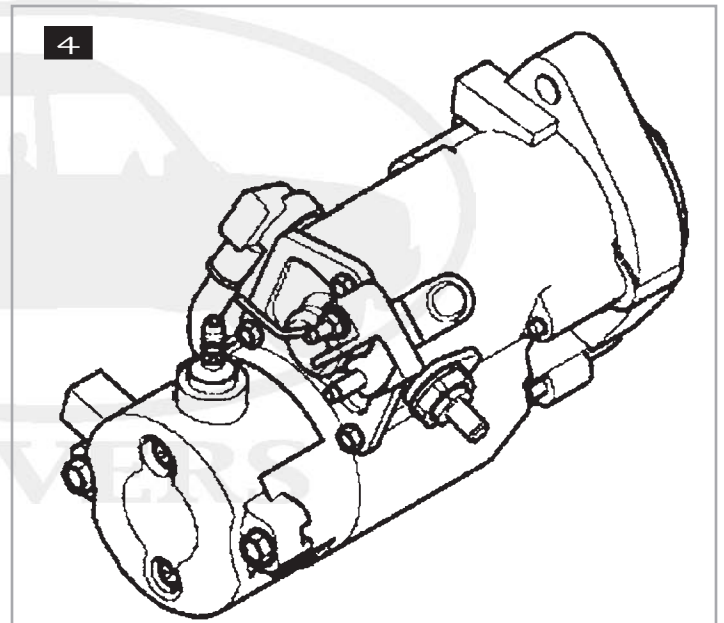
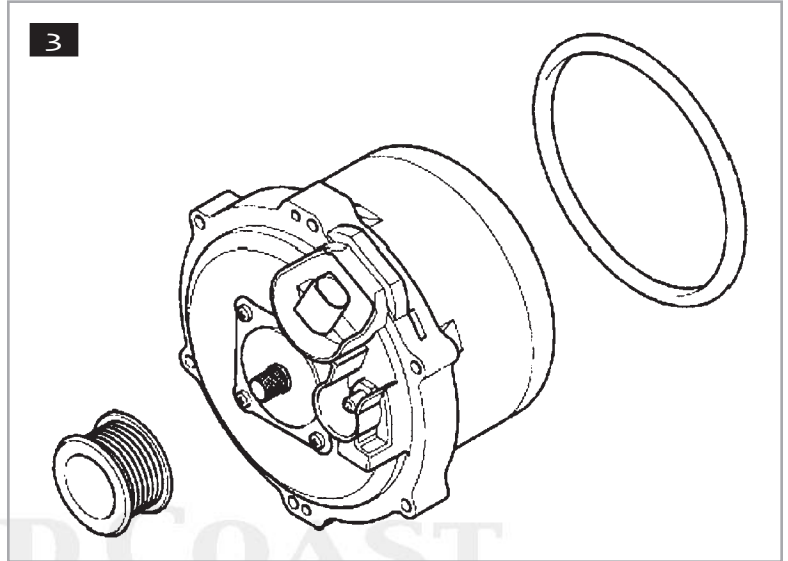
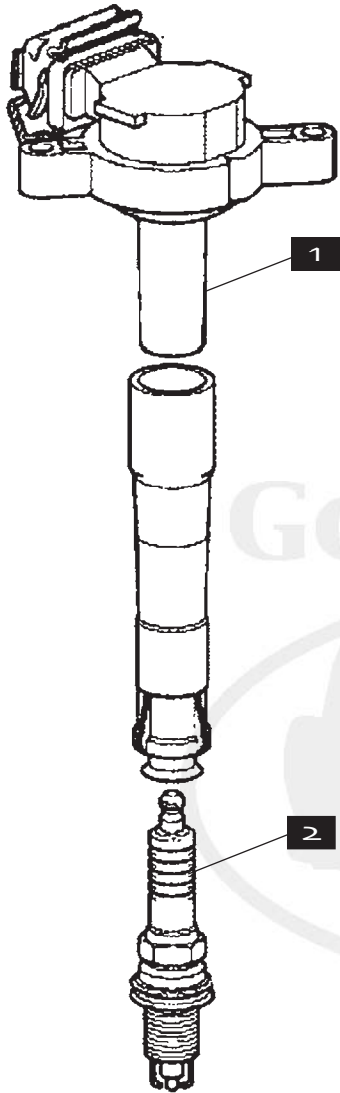


Description	Order Number	Explanatory Notes	Qty
1. Reservoir and Cap Assembly	RV-SJY000050	All	1
2. Reservoir Cap/Switch Only	RV-SJL000080	All	1
3. Booster Assembly	RV-SJG000090	All Non-Supercharged	1
4. Gasket, Booster	RV-SZB000010	All	1
5. Master Cylinder	RV-SJJ000040	Through 2005	1
6. O-Ring, Master Cylinder to Booster	RV-SYX000010		1
7. Pump Assembly	RV-SRM000020	All Non-Supercharged	1
8. Control Assembly, ABS Hydraulics	RV-SRD000133	Through 2005	1
9. Sensor Switch, ABS, in Control Assy.	RV-SSB000140	Through 2005	1
10. Modulator	RV-SRB000283	Through 2005	1
10. Modulator	RV-SRB500174	2006-on	1
11. Flex Hose, Front Brakes	RV-SHB00011	Same RH or LH; Through 2005	2
12. ABS Sensor in Upright, Front	RV-SSF000011	Through 2005	2
13. ABS Sensor in Upright, Rear	RV-SSF000021	Through 2005	2
14. Washer, Banjo Bolt	RV-SYF000020	Through 2005	4
15. Banjo Bolt, Rear Brake Hose	RV-SYG000040	Through 2005	2
16. Flex Hose, Rear Brakes	RV-SHB500170	Same RH or LH; Through 2005	2



RANGE ROVER III, 2003-ON

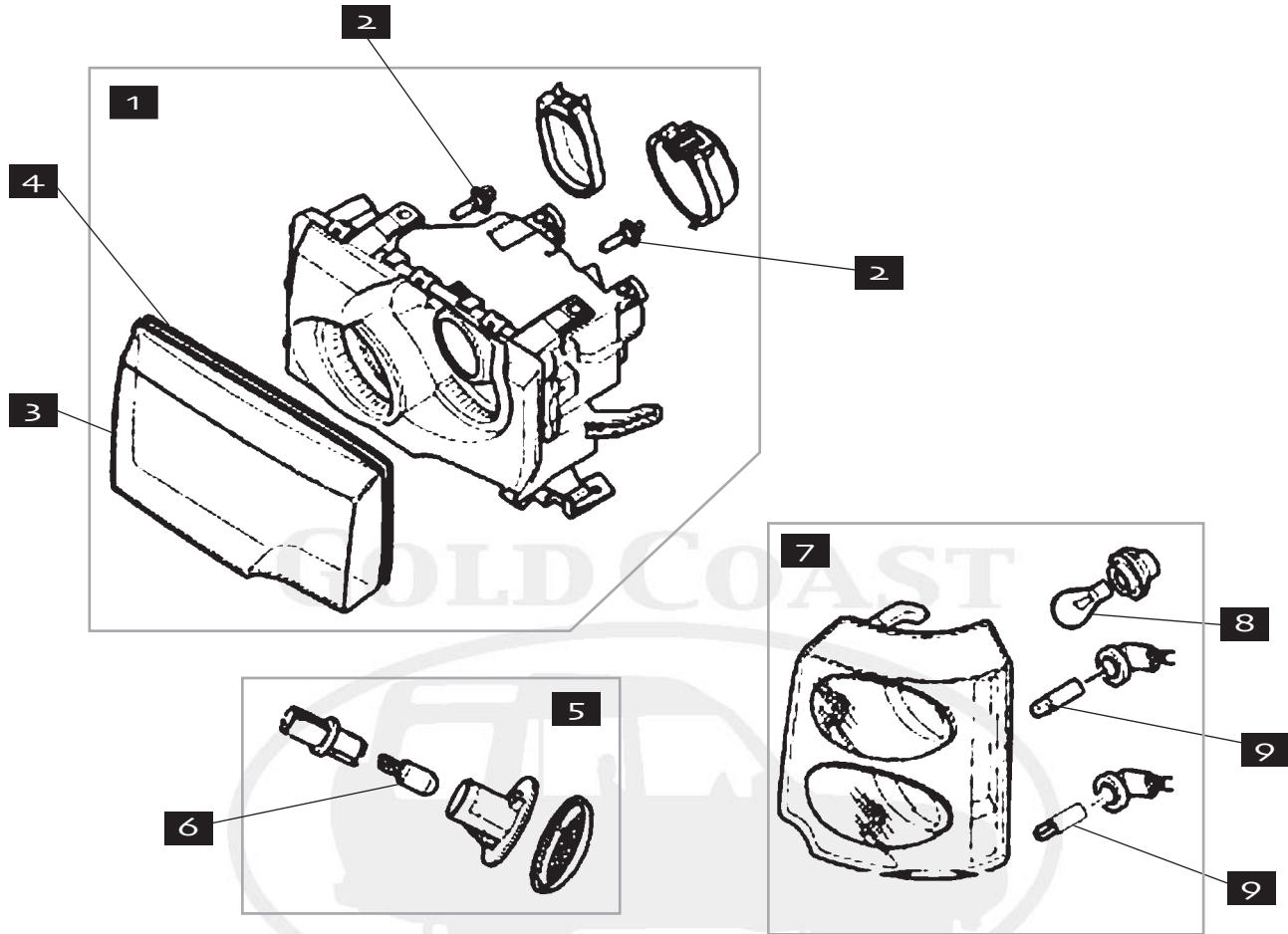
Description	Order Number	Explanatory Notes	Qty
1. Brake Rotor, Front	RV-SDB000201	Through 2005, BMW V-8, Genuine	2
1. Brake Rotor, Front	RV-SDB000201/X	Through 2005, BMW V-8, Aftermarket	2
1. Brake Rotor, Front	RV-SDB500181	2006-on, non-supercharged, Jaguar V-8	2
1. Brake Rotor, Front	RV-SDB500192	2006-on, supercharged	2
2. Brake Pad Set, Front	RV-SFC500050	Through 2005, Genuine	1
2. Brake Pad Set, Front	RV-SFC500050/FR	Through 2005, Ferodo	1
2. Brake Pad Set, Front	RV-SFP500010	2006-on, non-supercharged, Genuine	1
2. Brake Pad Set, Front	RV-SFP500010/L	2006-on, Non-Supercharged, TRW/Lucas	1
2. Brake Pad Set, Front	RV-SFP500070	2006-on, supercharged	1
3. Caliper Seal Kit, Front	RV-SEE000020	Through 2005	2
4. Caliper, RH Front	RV-SEB000280	Through 2005	1
4. Caliper, LH Front	RV-SEB000290	Through 2005	1
5. Bleed Nipple, Front	RV-SJD000020	Through 2005	2
6. Brake Pad Wear Warning Harness	RV-SEM000012	All except supercharged	2
7. Brake Rotor, Rear	RV-SDB000211	Through 2005, solid, Genuine	1
7. Brake Rotor, Rear	RV-SDB000211/X	Through 2005, Solid, Aftermarket	1
7. Brake Rotor, Rear	RV-SDB500201	2006-on, vented	2
8. Caliper, RH Rear	RV-SMC000200	Through 2005 with solid rotors	1
8. Caliper, LH Rear	RV-SMC000210	Through 2005 with solid rotors	1
9. Bleed Nipple, Rear	RV-SJD000020	Through 2005	2
10. Caliper Seal Kit, Rear	RV-SMN000070	Through 2005	2
11. Brake Pad Set, Rear	RV-SFP000120	Through 2005	1
11. Brake Pad Set, Rear	RV-SFP500022	2006-on	1
12. Brake Pad Wear Warning Harness, Rear	RV-SOE000011	Through 2005	2
Miscellaneous Brakes			
13. Stop Lamp Switch	RV-XKB000021	All	1
14. Switch, Handbrake Handle	RV-XLB000010	All	1
15. Handbrake Shoe Set	RV-SFS000050	All	1
16. Handbrake Cable, RH	RV-SPB000043	Through 2005	1
16. Handbrake Cable, LH	RV-SPB000053	Through 2005	1
17. Rubber Pad, Brake Pedal	RV-SKE000010	All	1



RANGE ROVER III, 2003-ON

Description	Order Number	Explanatory Notes	Qty
1. On-Plug Coil	RV-NEC000040	BMW V-8	8
1. On-Plug Coil	RV-4744015	Jaguar V-8, All	8
2. Spark Plug	RV-NLP000030	BMW V-8	8
2. Spark Plug	RV-4550157	Jaguar V-8, All	8

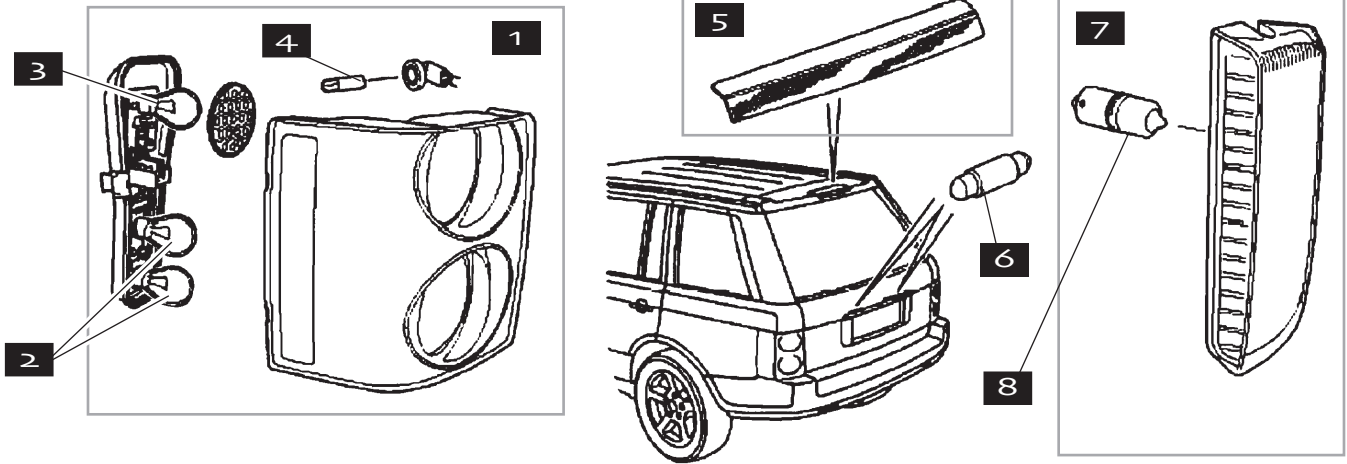
FRONT LAMPS, RANGE ROVER III



RANGE ROVER III, 2003-ON

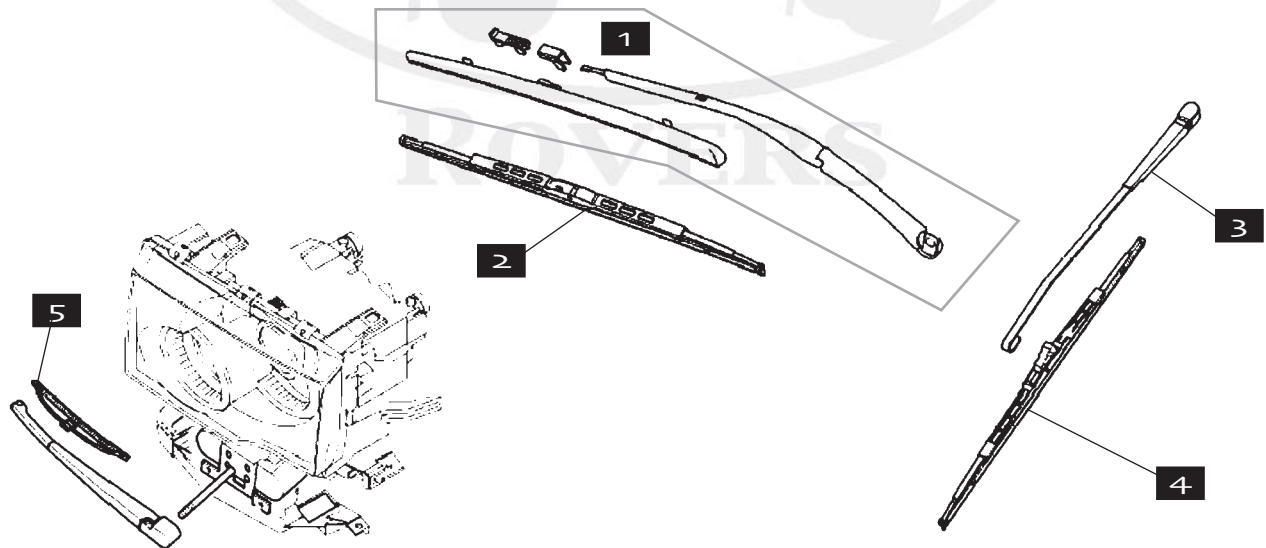
Description	Order Number	Explanatory Notes	Qty
1. Headlamp Assembly	RV-XBC000760	Right, Halogen, through 2005	1
1. Headlamp Assembly	RV-XBC000770	Left, Halogen, through 2005	1
1. Headlamp Assembly	RV-XBC001340	Right, Xenon, to 3A140337	1
1. Headlamp Assembly	RV-XBC001341	Right, Xenon, from 3A140338 Through 2005	1
1. Headlamp Assembly	RV-XBC001350	Left, Xenon, to 3A140337	1
1. Headlamp Assembly	RV-XBC001351	Left, Xenon, from 3A140338 through 2005	1
2. Bulb, High Beam or Low Beam	RV-XZQ000011	Halogen Only	4
2. Bulb, High Beam or Low Beam	RV-XBI000030	Xenon Only	4
3. Headlamp Lens Only	RV-XBV000080	Right, Halogen or Xenon, through 2005	1
3. Headlamp Lens Only	RV-XBC000090	Left, Halogen or Xenon, through 2005	1
4. Seal, Headlamp to Lens	RV-XZB000010	Right or Left, Halogen or Xenon, through 2005	2
5. Lamp Assembly, Side Marker	RV-XGB000012	On Fender	2
6. Bulb, Side Marker on Fender	RV-XZQ000060		2
7. Front Flasher Lamp Assembly	RV-XBD000023	Right, All	1
7. Front Flasher Lamp Assembly	RV-XBD000033	Left, All	1
8. Bulb, Front Sidemarker	RV-XZQ000120		2
9. Bulb, Front Turn Signal	RV-XZQ500010		4

REAR LAMPS, RANGE ROVER III



Description	Order Number	Explanatory Notes	Qty
1. Rear Lamp Assembly	RV-XFB500360	Right, Through 2005	1
1. Rear Lamp Assembly	RV-XFB500370	Left, Through 2005	1
2. Bulb	RV-XZQ000030	Turn Signal, Rear Fog Lamp	4
3. Bulb	RV-XZQ000020	Dual-Filament, Tail Lamp	2
4. Bulb	RV-XZQ000060	Side Marker	2
5. High-Mounted Stop Lamp	RV-XFG000040	All	1
6. Bulb	RV-CZQ000010	License Plate, All	2
7. Reverse Lamp Assembly	RV-XFD000043	Right, All	1
7. Reverse Lamp Assembly	RV-XFD000053	Left, All	1
8. Bulb	RV-XZQ000090	Reverse Lamp	2

WIPERS, RANGE ROVER III



Description	Order Number	Explanatory Notes	Qty
1. Wiper Arm, Front, Left	RV-DKB000160PMD		1
1. Wiper Arm, Front, Right	RV-DKB000200PMD		1
2. Wiper Blade, Front	RV-DKC000040		2
3. Wiper Arm, Rear	RV-DKB000230PMD		1
4. Wiper Blade, Rear	RV-DKC000080PMD		1
5. Wiper Blade, Headlamps	RV-DKC000070		2