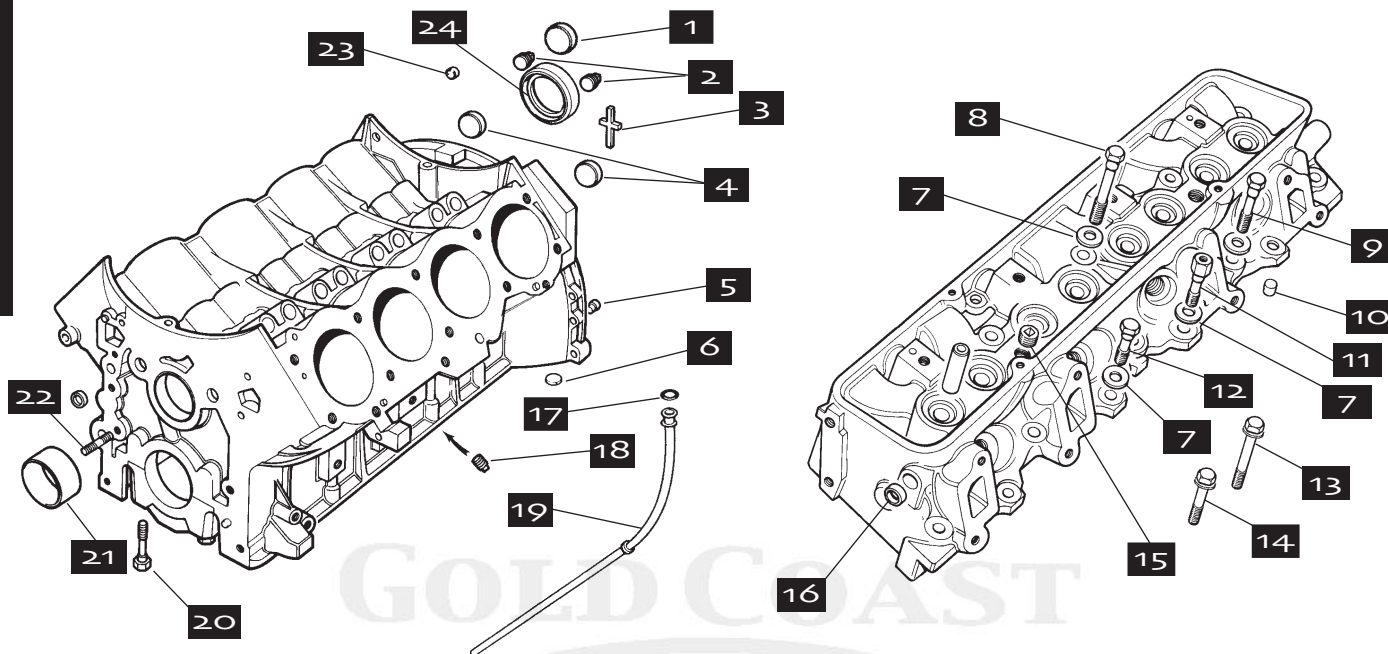


Description	Order Number	Explanatory Notes	Qty
1. Rings, 3.5, standard	RV-RTC2408.000	3.5 STD	A/R
1. Rings, 3.5, +.020"	RV-RTC2408.020	3.5 +.020"	A/R
1. Rings, all 3.9	RV-RTC6066S	Standard Size	A/R
1. Rings, all 3.9	RV-STC362220	.020" Oversize	A/R
1. Rings, 4.2 Liter	RV-STC6066S	Standard Bore	A/R
2. Piston, 3.5, Standard Bore	RV-RTC2186S	3.5-Liter, Standard	A/R
2. Piston, 3.5, +.020"	RV-RTC2186.020	3.5-Liter, +.020"	A/R
2. Piston, 3.9, Standard Bore	RV-STC908S	"38D" 3.9 Liter, 8.13 compression	A/R
2. Piston, 3.9, +.020"	RV-STC64620	"38D" 3.9 Liter, 8.13 compression	A/R
2. Piston, 3.9, standard	RV-STC909S	"36D" or "35D" 3.9-Liter, 9.35 Compression	A/R
2. Piston, 3.9, +.020"	RV-STC64720	"36D" or "35D" 3.9-Liter, 9.35 Compression	A/R
2. Piston, 4.2 Liter	RV-STC1191S	Standard Bore	A/R
3. Crankshaft Key	RV-ERR2846		1
4. Timing Gear on Crankshaft	RV-ERR2958		1
5. Washer, Crankshaft	RV-ERC416		1
6. Crankshaft Damper/Pulley	RV-ETC7340	All Through 1992	1
6. Crankshaft Damper/Pulley	RV-ERR2674	1993-on through engines 36D25154A (3.9) and 40D09581A (4.2)	1
6. Crankshaft Damper/Pulley	RV-ERR3442	3.9 from engine 36D25155B	1
6. Crankshaft Damper/Pulley	RV-ERR4594	4.2 from engine 40D09582B	1
7. Reinforcing Plate	RV-602587		1
8. Spring Pin	RV-603535	Ensures proper orientation of timing marks.	1
9. Rod Bolt	RV-602609		16
10. Rod Nut	RV-602061		16
11. Rod Bearing Set, standard	RV-RTC2117.000*	Standard Size	A/R
11. Rod Bearing Set, +.010"	RV-RTC2117.010*	.010" Oversize	A/R
11. Rod Bearing Set, +.020"	RV-RTC2117.020*	.020" Oversize	A/R
12. Main Bearing Set, standard	RV-RTC1718.000*	Standard Size	A/R
12. Main Bearing Set, +.010"	RV-RTC1718.010*	.010" Oversize	A/R
12. Main Bearing Set, +.020"	RV-RTC1718.020*	.020" Oversize	A/R
13. Cam Bearing Set	RV-RTC5918	3.5, 3.9, 4.2	A/R

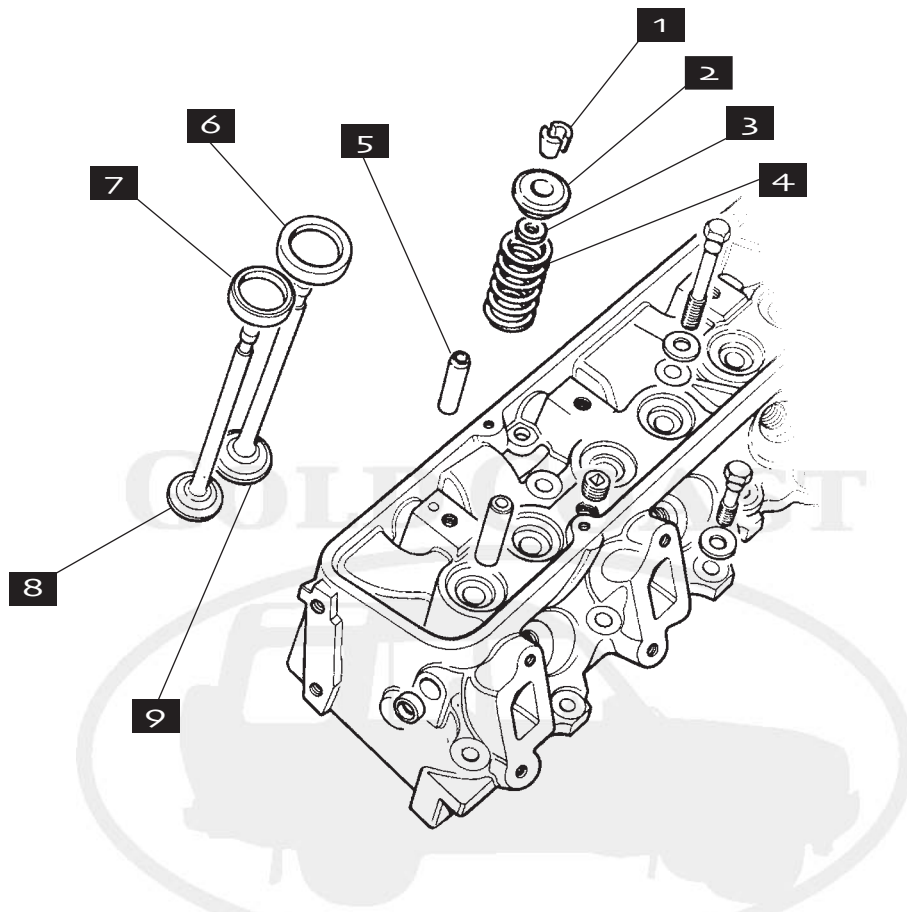
\* Denotes Aftermarket Part

ENGINE CYLINDER BLOCK/HEAD HARDWARE, RANGE ROVER CLASSIC



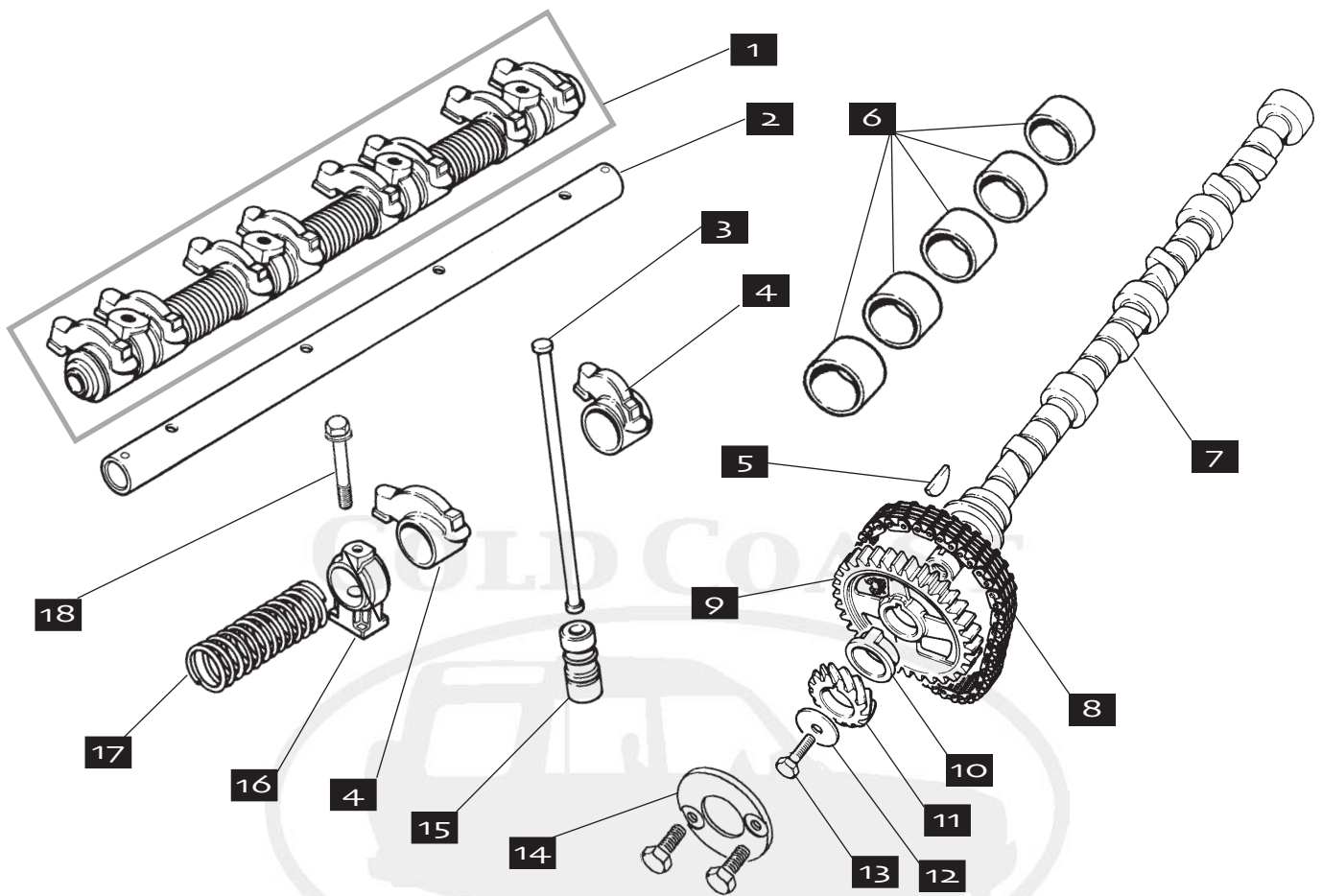
Description	Order Number	Explanatory Notes	Qty
1. Plug, Cam Bore, Rear	RV-602146		1
2. Plug, tappet, rear	RV-602212	1987-1992	2
3. Oil Seal Retainers	RV-LUN000010		2
4. Cup Plug	RV-602152		8
5. Dowel, Flywheel Housing	RV-602141		2
6. Plug, Rear Flange	RV-612898		2
7. Washer, Cylinder Head Bolts	RV-602098	All 3.5 Liter; 36D-Series 3.9-Liter to 36D25154B; all 38D-Series 3.999-Liter; 4.2-Liter to 40D09581B	28
8. Cylinder Head Bolt, 7/16" UNC	RV-602193	Ⓢ All 3.5 Liter; 36D-Series 3.9-Liter to 36D25154B; all 38D-Series 3.999-Liter; 4.2-Liter to 40D09581B	6
9. Cylinder Head Bolt, 7/16" UNC	RV-602192	Ⓢ All 3.5 Liter; 36D-Series 3.9-Liter to 36D25154B; all 38D-Series 3.999-Liter; 4.2-Liter to 40D09581B	13
10. Dowel, head to block	RV-602040		4
11. Cylinder Head Bolt, 7/16" UNC	RV-602200	Ⓢ All 3.5 Liter; 36D-Series 3.9-Liter to 36D25154B; all 38D-Series 3.999-Liter; 4.2-Liter to 40D09581B	1
12. Cylinder Head Bolt, 7/16" UNC	RV-602191	Ⓢ All 3.5 Liter; 36D-Series 3.9-Liter to 36D25154B; all 38D-Series 3.999-Liter; 4.2-Liter to 40D09581B	8
13. Cylinder Head Bolt, 96mm	RV-ERR2944	Ⓢ 36D-Series 3.9-Liter from 36D25155B; 4.2-Liter from 40D09582B	6
14. Cylinder Head Bolt, 66mm	RV-ERR2943	Ⓢ 36D-Series 3.9-Liter from 36D25155B; 4.2-Liter from 40D09582B	14
15. Core Plug	RV-602123		4
16. Cup Plug	RV-602289		4
17. Seal Dipstick Tube	RV-602545		1
18. Plug, Drain	RV-3290	1987-1992	2
18. Plug, Drain	RV-ERR4315	1993-1995	2
19. Dipstick Tube	RV-ERR4556		1
20. Bolt, Main Bearing Cap	RV-602130		10
21. Cam Bearing Set	RV-RTC5918		1
22. Stud, timing assembly	RV-252513	1987-1992	1
23. Plug, Breather Hose	RV-154545		1
24. Oil Seal, Crankshaft	RV-ERR2640		1

Ⓢ Note: Always replace cylinder head bolts when cylinder heads are removed.

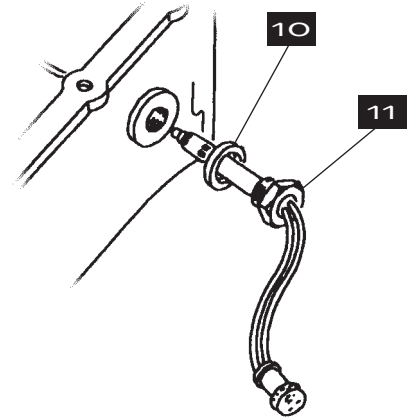
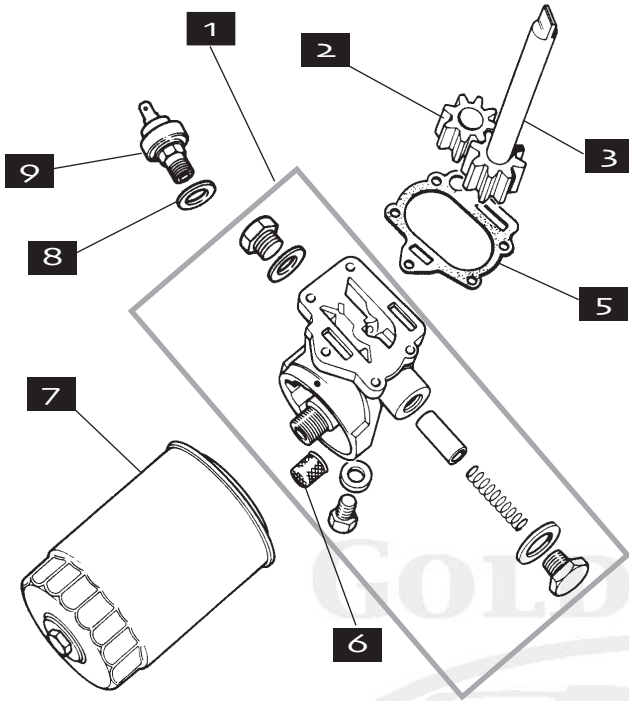


Description	Order Number	Explanatory Notes	Qty
1. Cotter, split (per pair)	RV-ERC1637		16
2. Valve Spring Retaining Cap	RV-ERC573		16
3. Valve Stem Seal	RV-ERC7865	Int. only, all 3.5-Liter; 3.9-Liter to eng. 36D14149A	8
3. Valve Stem Seal	RV-ERR1782	Int. only, 3.9 from engine 36D14150A; all 4.2-Liter	8
4. Valve Spring, sold per each	RV-ERR4628*		16
5. Valve Guide, Intake or Exhaust	RV-603554	Standard, All 3.5-Liter; 3.9-Liter to engine 36D14149A	16
5. Valve Guide, Intake or Exhaust	RV-603554.002	.002" O/S, All 3.5-Liter; 3.9-Liter to engine 36D14149A	A/R
5. Valve Guide, Intake or Exhaust	RV-603554.005	.005" O/S, All 3.5-Liter; 3.9-Liter to engine 36D14149A	A/R
5. Valve Guide, Intake or Exhaust	RV-LGJ100900	Standard, 3.9-Liter from engine 36D14150A; all 4.2-Liter	16
5. Valve Guide, Intake or Exhaust	RV-LGJ100900.002	.002" O/S, 3.9-Liter from engine 36D14150A; all 4.2-Liter	A/R
5. Valve Guide, Intake or Exhaust	RV-LGJ100900.005	.005" O/S, 3.9-Liter from engine 36D14150A; all 4.2-Liter	A/R
6. Valve Seat, Intake, Standard	RV-ERC224	Standard Size	16
6. Valve Seat, Intake, +.010" Oversize	RV-ERC225	+.010" oversize	A/R
7. Valve Seat, Exhaust	RV-ERC210	3.5-Liter only	8
7. Valve Seat, Exhaust	RV-ETC8596	3.9 & 4.2, Standard Size	8
7. Valve Seat, Exhaust	RV-ERC211	3.9 & 4.2, +.010" oversize	A/R
8. Valve, Exhaust	RV-STC1122*	3.5-Liter	8
8. Valve, Exhaust	RV-ETC8684*	To 3.9 engine 36D14149A	8
8. Valve, Exhaust	RV-ERR7338*	3.9-Liter from 36D14149A; all 4.2 Liter	8
9. Valve, Intake	RV-ERC9088*	All 3.5-Liter; 3.9-Liter to eng. 36D14149A	8
9. Valve, Intake	RV-ERR1780*	3.9 from engine 36D14149A-on; all 4.2	8

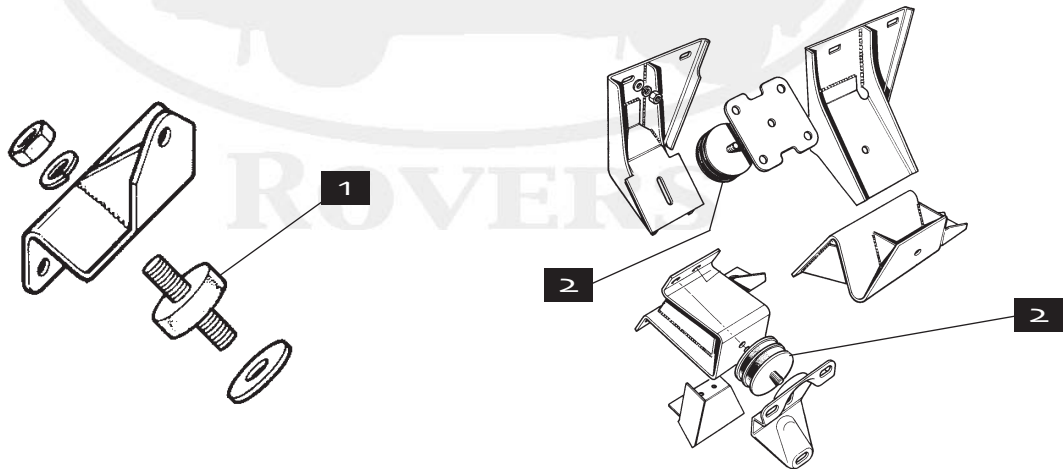
\* Denotes Aftermarket Part



Description	Order Number	Explanatory Notes	Qty
1. Updated Rocker Shaft Assembly	RV-611660	①	2
<b>① These are complete assemblies that use alloy rocker arms for less reciprocating mass. Highly recommended</b>			
2. Rocker Shaft Only	RV-611659L		2
3. Push Rod	RV-603378		16
4. Rocker Arm, RH or LH	RV-602153		16
5. Camshaft Key	RV-ERC2838		1
6. Cam Bearing Set	RV-RTC5918	3.5, 3.9, 4.2	1
7. Cam Shaft	RV-ETC6850L	3.5-Liter gray market (pre-'87)	1
7. Cam Shaft	RV-ETC6099	3.5-Liter USA Range Rover	1
7. Cam Shaft	RV-ERR5924	① 3.9-liter	1
<b>① This is an updated camshaft that incorporates a thrust plate to eliminate knock. On early vehicles not drilled to accept the thrust plate, the thrust plate is not used.</b>			
7. Cam Shaft	RV-ERR5925	4.2 Liter	1
8. Timing Chain	RV-ERC7929		1
9. Chain Gear on Camshaft	RV-610289	3.5, 3.9, 4.2	1
10. Spacer, Chain Gear	RV-ERC2839		1
11. Distributor Drive Gear	RV-614188		1
12. Washer, Distributor Drive Gear	RV-ERC6552		1
13. Bolt, Cam Shaft	RV-602227		1
14. Thrust Plate	RV-ERR5926	For ERR5924 Cam Shaft	1
15. Lifter/Tappet	RV-ERC4949		16
16. Rocker Arm Bracket/Stand	RV-603734		8
17. Rocker Shaft Spring	RV-602142		6
18. Special Bolt, Rocker Arm Bracket/Stand	RV-602097		8

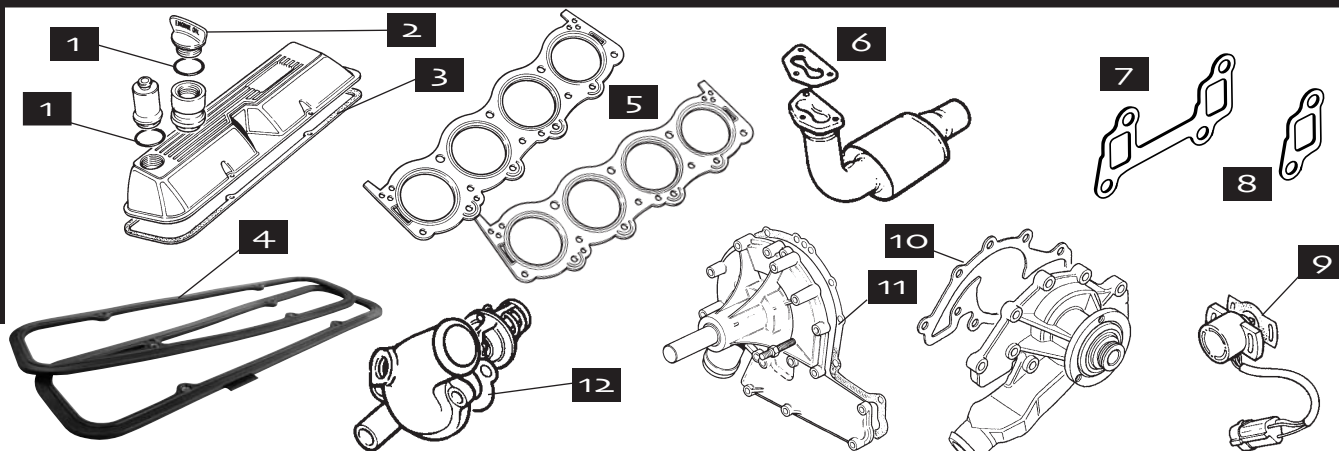


Description	Order Number
1. Oil Pump Housing Assembly	RV-ETC4276
2. Oil Pump Gear	RV-614037
3. Oil Pump Shaft & Gear	RV-ERC1351
4. Oil Pump Repair Kit	RV-RTC4477
<i>Contains seals and oil pressure relief valve pieces.</i>	
5. Gasket	RV-ERR1990
6. Strainer	RV-614202
7. Oil Filter, all	RV-ERR3340*
8. Washer, Oil Pressure Switch	RV-243968
9. Oil Pressure Switch	RV-STC4104K*
10. Seal for Oil Level Indicator	RV-243960
11. Oil Level Indicator	RV-AFU2786L

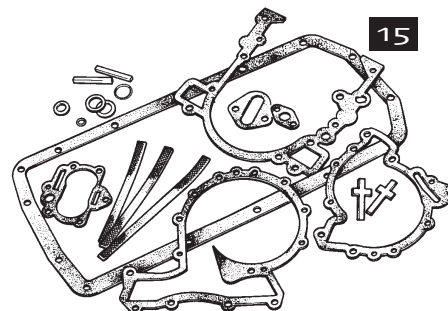
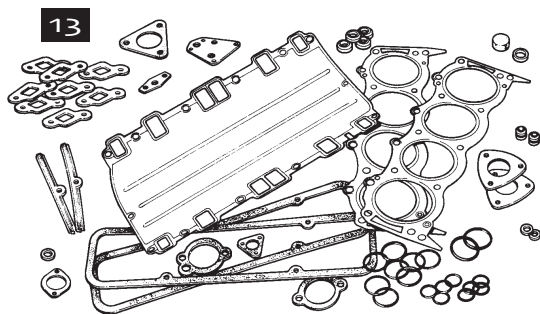


Description	Order Number	Explanatory Notes	Qty
1. Engine Mount	RV-STC434	Front, all 3.5 liter and 38D-Series 3.9 liter; 36D-Series 3.9 liter to 36D25154 and 4.2 liter from 40D09581; 3/8" Studs	2
1. Engine Mount	RV-KKB103120	① Front, 36D-Series 3.9 liter from 36D25155 and 4.2 from 40D09582; 12mm Studs.	2
<i>① Can be used as an upgrade of STC434 if mounting holes are enlarged.</i>			
2. Transfer Box Mount	RV-NTC5890	Through 1994	2
2. Transfer Box Mount	RV-ANR2805	1995	2

## GASKETS AND SEALS, RANGE ROVER CLASSIC



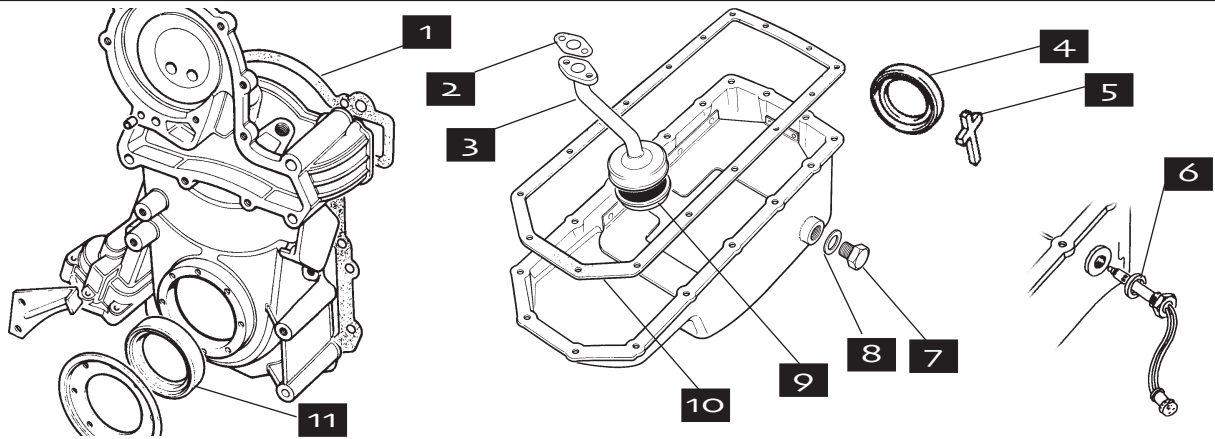
Description	Order Number	Explanatory Notes	Qty
1. O-Ring, Oil Filler Cap to Cover	RV-564258		1
1. O-Ring, Under Cap	RV-564258		1
2. Oil Filler Cap	RV-625038		1
3. Valve Cover Gasket, Cork	RV-602512*		2
4. Valve Cover Gasket, Updated Rubber	RV-LVC100260		2
5. Head Gasket	RV-603796*	3.5 Liter	2
5. Head Gasket	RV-ETC7819*	3.9-Liter to 36D25155B; 4.2 to 40D09582B	2
5. Head Gasket	RV-ERR7217*	Composite, 3.9 from 36D25156B; 4.2 from 40D09583B	A/R
6. Gasket, Exhaust Manifold to Downpipe/Catalyst	RV-ETC4524		A/R
7. Gasket, Exhaust Manifold to Cylinder Head	RV-ERR6733	36D-Series 3.9 liter from 36D25156B; 4.2 liter from 40D09583	4
8. Gasket, Exhaust Manifold to Cylinder Head	RV-ERC3606	All 3.5 liter; all 38D-Series 3.9 liter; 36D-Series 3.9 liter to 36D25155B; 4.2 liter to 40D09582B	8
9. Gasket, Throttle Position Sensor	RV-ERR4944		1
10. Water Pump Gasket	RV-ERR4077	1993-1995, for STC4378 Pump	1
11. Water Pump Gasket	RV-ERR2428	To 1992, for STC483 and earlier pumps	1
12. Gasket, Thermostat/Water Elbow	RV-ERR2429		1



Description	Order Number	Explanatory Notes	Qty
13. Gasket Set, Top End	RV-STC1642	3.5-Liter	A/R
13. Gasket Set, Top End	RV-STC1641*	3.9-Liter through 1992	A/R
13. Gasket Set, Top End	RV-STC4082	3.9-Liter 1993-1995; all 4.2 Liter	A/R
14. Oil Pump Repair Kit	RV-RTC4477	Ⓢ Photo above, center	A/R
15. Gasket Set, Bottom End	RV-STC1639	Through 1994	A/R
15. Gasket Set, Bottom End	RV-STC2823	1995	A/R

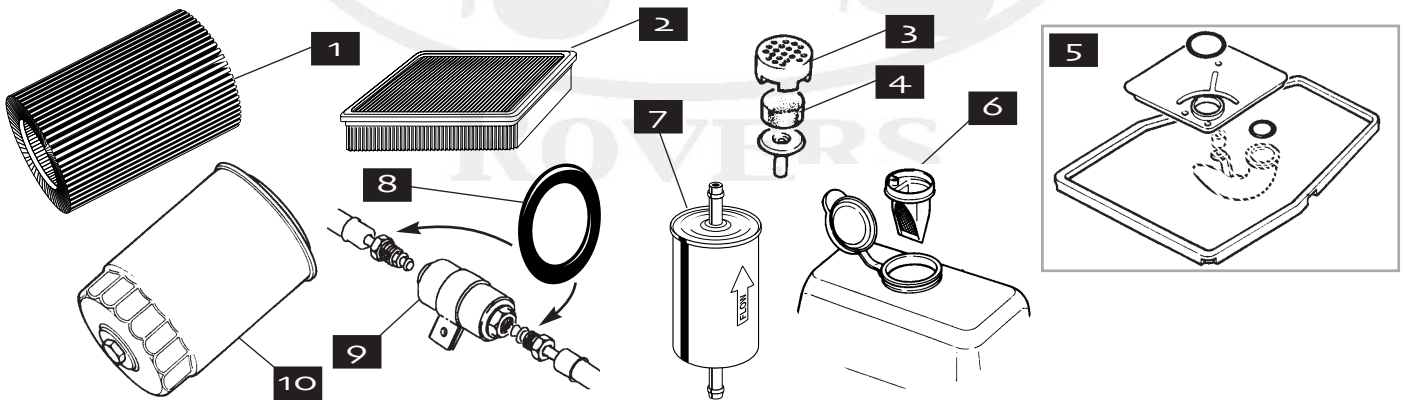
Ⓢ Contains oil pressure relief valve and seals and washers not included in bottom-end gasket set.

## GASKETS AND SEALS, RANGE ROVER CLASSIC



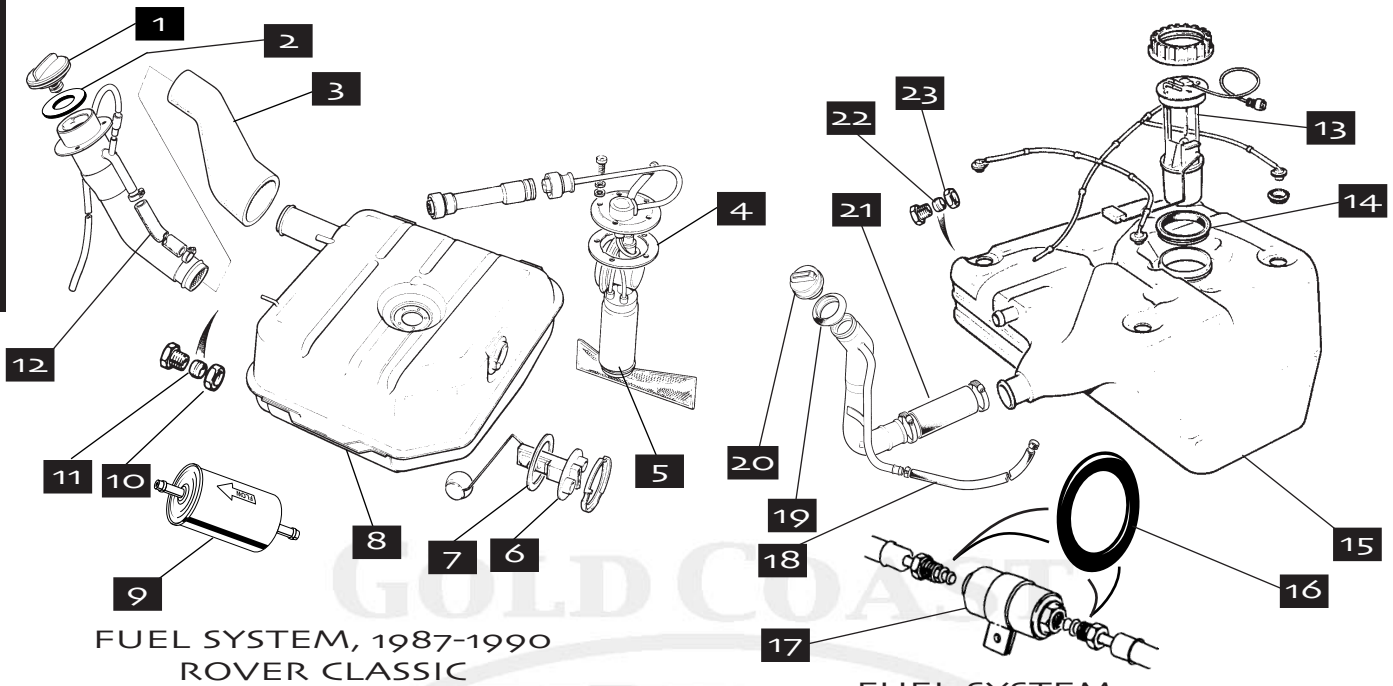
Description	Order Number	Explanatory Notes	Qty
1. Gasket, Timing Cover	RV-ERR4936	To engines 36D25154A and 40D09581B	1
1. Gasket, Timing Cover	RV-ERR7280	From engines 36D25155A and 40D09582B	1
2. Gasket, Oil Filter Suction Pipe	RV-ERR3788		1
3. Oil Filter Suction Pipe	RV-ERR3677		1
4. Rear Crankshaft Seal	RV-ERR2640		1
5. Retainers for Rear Seal	RV-LUN000010		2
6. Seal, Oil Level Indicator in Oil Pan	RV-243960		1
7. Drain Plug, Oil Pan	RV-603659		1
8. Sealing Washer, Oil Pan Drain Plug	RV-213961L		1
9. Oil Screen	RV-602070		1
10. Oil Pan Gasket	RV-602087		1
11. Front Crankshaft Seal	RV-ERR6490		1

## FILTERS, AIR, OIL, & FUEL, RANGE ROVER CLASSIC



Description	Order Number	Explanatory Notes	Qty
1. Air Filter, 1987-1994, round type	RV-RTC4683*		1
1. Air Filter, , replaces RTC4683*	17-1448		1
2. Air Filter, 1995, rectangular	RV-ESR1445		1
2. Air Filter, , replaces ESR1445	RV-1501		1
3. Cap for Valve Cover Inlet Filter	RV-ERC3208		1
4. Valve Cover Inlet Filter	RV-ERC3209		1
5. Automatic Transmission Filter Kit, with ZF	RV-RTC4653	Includes Filter, Gasket and two O-Rings	1
6. Windshield Washer Reservoir Filter	RV-STC206		1
7. Fuel Filter, 1987-1990, barbed ends	LU-73201		1
8. O-Rings for threaded fuel filter, 2 required	RV-ESR259		2
9. Fuel Filter, 1991-1995, threaded ends	JA-C2C-4163		1
10. Oil Filter, all	RV-ERR3340*		1

\* Denotes Aftermarket Part

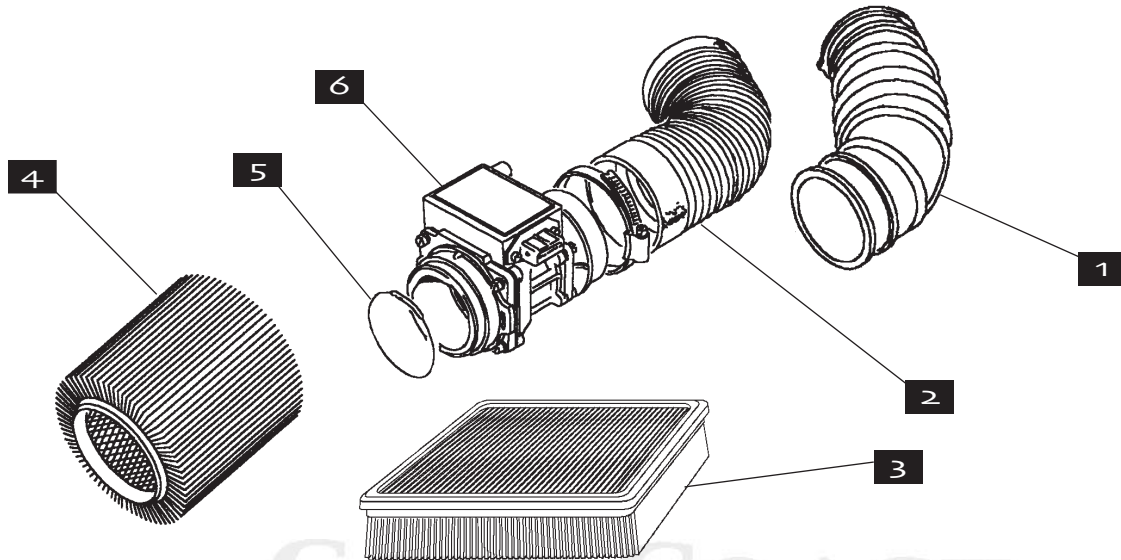


FUEL SYSTEM, 1987-1990  
ROVER CLASSIC

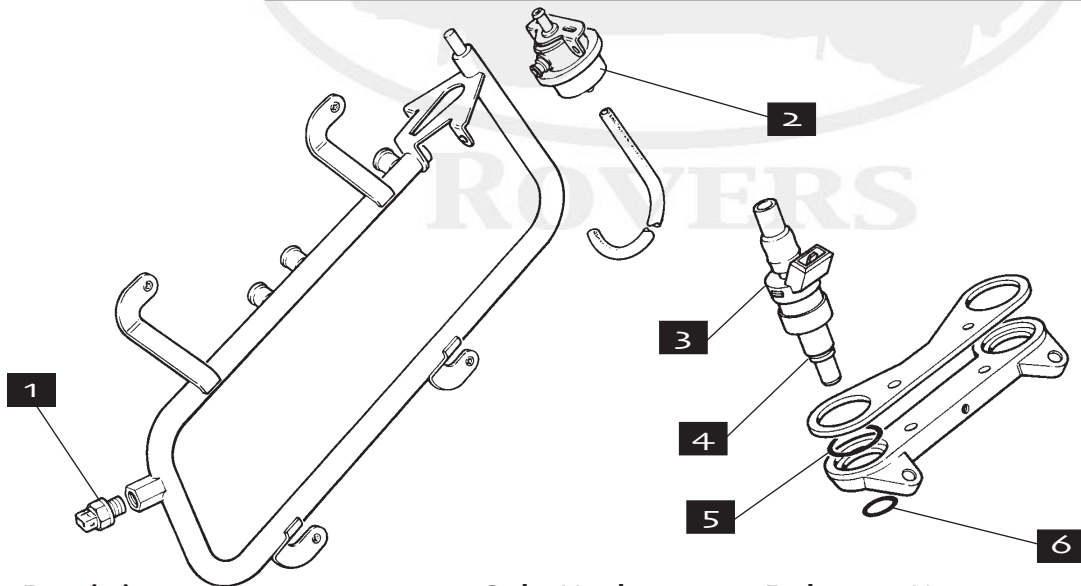
FUEL SYSTEM, 1991-1995  
ROVER CLASSIC

Description	Order Number	Explanatory Notes	Qty
1. Fuel Filler Cap	RV-TKC3976L	Through 1990	1
2. Seal/Grommet	RV-RTC5638	Through 1990	1
3. Filler Hose	RV-NTC1382	Through 1990	1
4. Seal, pump to tank	RV-WGQ000020	Use with PRC7475 pump	1
5. Fuel Pump	RV-PRC8318	Through 1990	1
6. Fuel Level Sender	RV-PRC8823	Through 1990	1
7. Gasket, Fuel Level Sender	JA-ARA1502	Through 1990	1
8. Fuel Tank	RV-ESR2000K	Through 1990, Steel	1
9. Fuel Filter	LU-73201	Through 1990, Barbed Ends	1
10. Fuel Union Nut	RV-NRC9770	1987-1995	1
11. Fuel Union Olive	RV-NRC9771	1987-1995	1
12. Breather Hose	RV-NTC7344	To end of 1990	1
13. Fuel Pump/Sender	RV-PRC9409	1991-Mid 1994 (VIN RA642682); Also order two RV-NRC9770 & two RV-NRC9771.	1
13. Fuel Pump/Sender	RV-ESR3926	Ⓢ Mid 1994-on (VIN RA642683)	1
Ⓢ <i>The first time updated pump ESR3926 is fitted to vehicles prior to VIN 647645, adapter harness RV-STC3683 must be used.</i>			
14. Seal, pump to tank	RV-NTC5859	Use with PRC9409 or ESR3926 pumps	1
15. Fuel Tank	RV-ESR2585	Ⓢ 1991-1995, plastic	1
Ⓢ <i>Requires RV-ESR1056 breather hose for installation</i>			
16. O-Rings, Fuel Filter	RV-ESR259	Use with JA-C2C-4163	2
17. Fuel Filter	JA-C2C-4163	1991-2002, threaded ends	1
18. Breather Hose	RV-NTC5424	1991-1992	1
18. Breather Hose	RV-ESR1056	1993-1995	1
19. Seal/Grommet	RV-WLR000020	1991-1995	1
20. Fuel Filler Cap	RV-NTC5418	1991-on	1
21. Filler Hose	RV-ESR2834	1991 & 1992	1
21. Filler Hose	RV-ESR1929	All 1993; 1994 to RA646069	1
21. Filler Hose	RV-ESR2834	RA646070-on	1
22. Fuel Union Olive	RV-NRC9771	1987-1995	1
23. Fuel Union Nut	RV-NRC9770	1987-1995	1





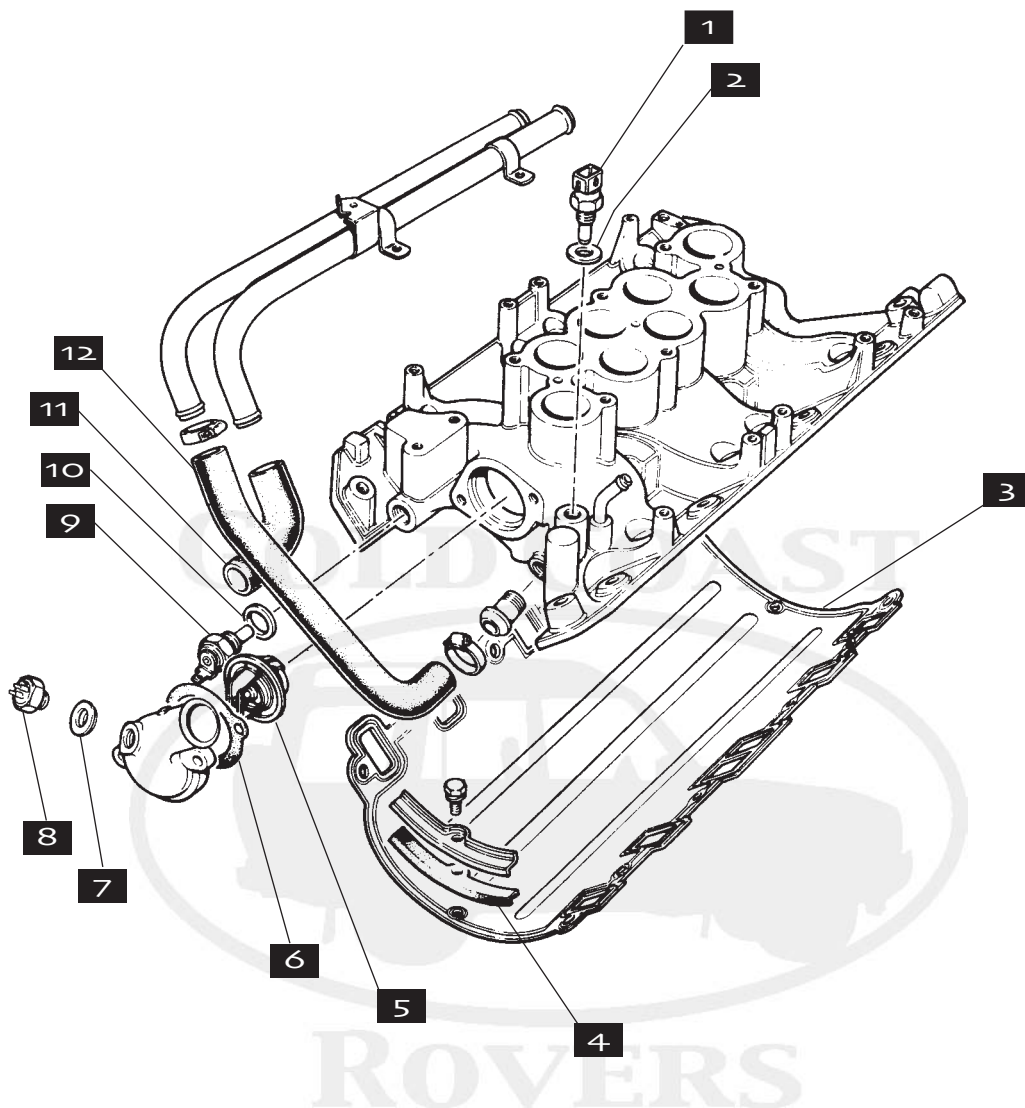
Description	Order Number	Explanatory Notes
1. Intake Hose	RV-ESR1807	With Rectangular Filter
2. Intake Hose	RV-ESR1611L	With Round Filter
3. Air Filter	RV-ESR1445	Rectangular
3. Air Filter	RV-1501	replacement for ESR1445
4. Air Filter	RV-RTC4683*	Round Type, 1987-1994
4. Air Filter	17-1448	replacement for RTC483*
5. O-Ring, Airflow Meter to Canister	RV-NTC3354	With Round Filter
6. Air Flow Meter	JA-DBC12517/E	To VIN SA655826
6. Air Flow Meter	RV-ERR5198	From VIN SA655827



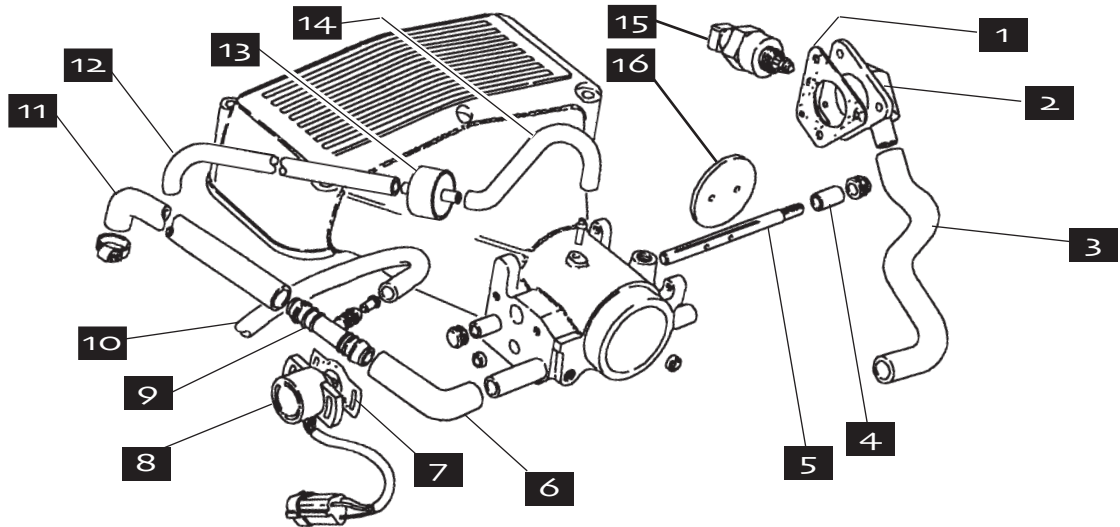
Description	Order Number	Explanatory Notes	Qty
1. Fuel Temperature Sender	RV-ETC6661		1
2. Fuel Pressure Regulator	RV-ETC8494		1
3. Fuel Injector, New	RV-ETC6264	Through 1989	8
3. Fuel Injector, Rebuilt	RV-ETC6264/RB	Through 1989	A/R
3. Fuel Injector, New	RV-ERR722	1990-on	8
4. O-Ring, Injector	RV-RTC5679	Two per injector	16
5. Ring Seal, Upper	RV-EAC2414L		8
6. Ring Seal, Lower	RV-EAC2415L		8

\* Denotes Aftermarket Part

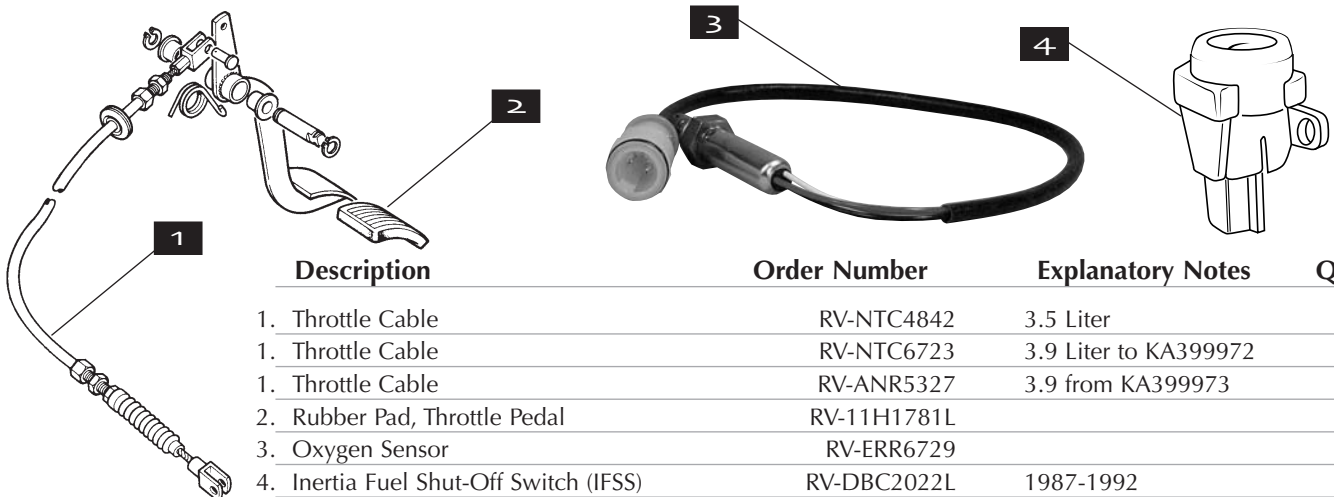
## FUEL SYSTEM, INLET MANIFOLD, RANGE ROVER CLASSIC



Description	Order Number	Explanatory Notes	Qty
1. Coolant Temperature Sender for ECU	LU-SNB802	As per EAC3927L/ETC8496	1
2. Sealing Washer for Sender	RV-243967		1
3. Intake Manifold Gasket	RV-LKJ500020		1
4. Seal, front of intake gasket	RV-ERR7283		2
5. Thermostat	RV-ETC4765		1
6. Thermostat Gasket	RV-ERR2429		1
7. Sealing Washer for Switch	RV-C457593		1
8. Fan Switch	RV-PRC3505		1
9. Coolant Temperature Sender for Gauge	RV-PRC6317	3.5-Liter	1
9. Coolant Temperature Sender for Gauge	RV-PRC7918	3.9-Liter to RA647644	1
9. Coolant Temperature Sender for Gauge	RV-AMR1425	3.9 from RA647645; all 4.2-Liter	1
10. Sealing Washer for Sender	RV-90568054		1
11. Heater Return Hose	RV-ETC6889	Front of intake manifold	1
12. Heater Supply Hose	RV-ETC6890	Front of intake manifold, to mid 1995 (VIN SA647645)	1
12. Heater Supply Hose	RV-BTR8725	Front of intake manifold, from VIN SA647645	1

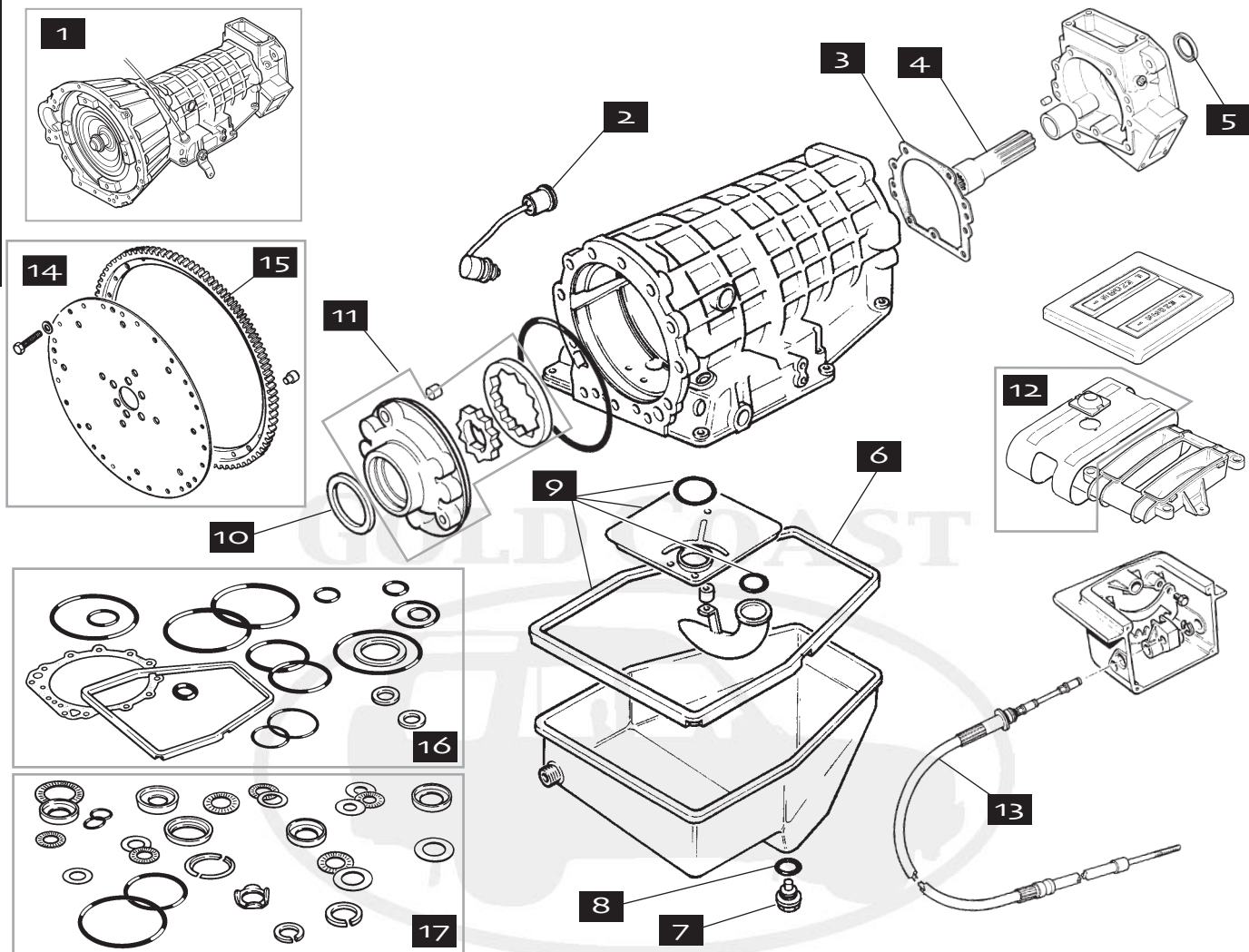


Description	Order Number	Explanatory Notes	Qty
1. Gasket for Housing	RV-ERR2926		1
2. Control Idler Adapter	RV-MKF100200	Through 1994	1
3. Hose, Control Idler to Throttle Body	RV-ETC6209L	3.5-Liter only	1
3. Hose, Control Idler to Throttle Body	RV-ETC7874	3.9 and 4.2	1
4. Bushings for Throttle Shaft	RV-611795	With 31D or 38D	2
4. Bushings for Throttle Shaft	RV-ERR1756	With 36D or 40D	2
5. Shaft in Throttle Body	RV-ETC6223		1
6. Hose, PCV to throttle housing	RV-ERR4763		1
7. Gasket, Throttle Position Sensor, ALL	RV-ERR4944	All	1
8. Throttle Position Sensor	RV-ETC6443	3.5-Liter	1
8. Throttle Position Sensor	RV-ETC8495	All 3.9-Liter; 4.2-Liter up to 40D13271B	1
8. Throttle Position Sensor	RV-ERR2263	4.2-Liter from 40D13272B	1
9. PCV "T"	RV-ERR4765		1
10. Hose, PCV to Manifold	RV-ERR4764		1
11. Hose to PCV Valve Flame Trap	RV-ERR4762		1
12. Hose, Vacuum Unit to Delay Valve	RV-ETC7329	Through 1992	1
13. Vacuum Delay Valve	RV-ERC6997	Through 1992	1
14. Hose, Delay Valve to Throttle Housing	RV-ETC7313	Through 1992	1
14. Hose, Delay Valve to Throttle Housing	RV-RTC3942	Ⓢ 1993-1995	1
Ⓢ <b>One-piece hose was introduced when valve was eliminated.</b>			
15. Stepper Motor; AKA "intake air control valve"	RV-ERR5199		1
16. Throttle Disc	RV-ETC6222		1

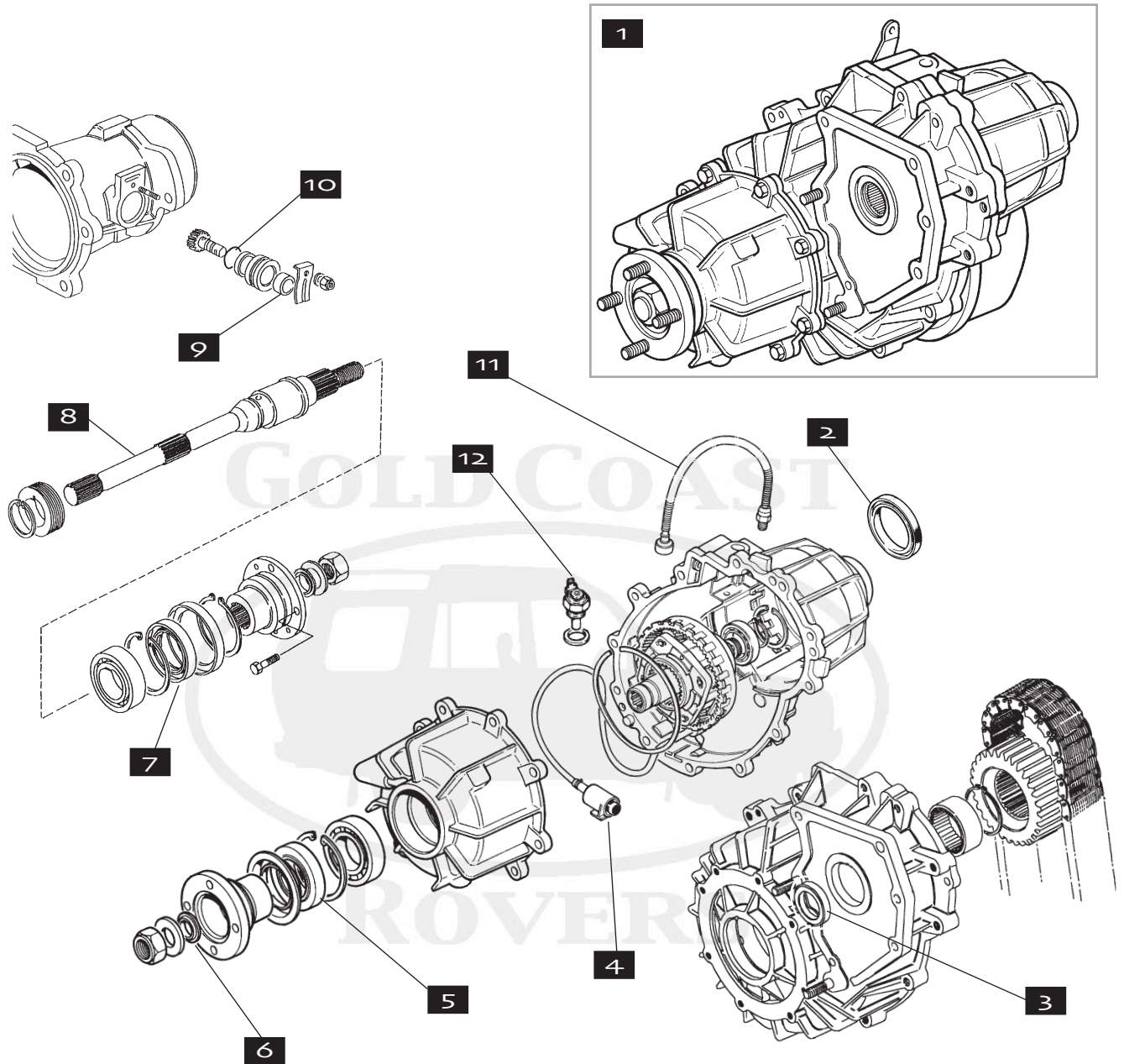


Description	Order Number	Explanatory Notes	Qty
1. Throttle Cable	RV-NTC4842	3.5 Liter	1
1. Throttle Cable	RV-NTC6723	3.9 Liter to KA399972	1
1. Throttle Cable	RV-ANR5327	3.9 from KA399973	1
2. Rubber Pad, Throttle Pedal	RV-11H1781L		1
3. Oxygen Sensor	RV-ERR6729		2
4. Inertia Fuel Shut-Off Switch (IFSS)	RV-DBC2022L	1987-1992	1

TRANSMISSION, RANGE ROVER CLASSIC

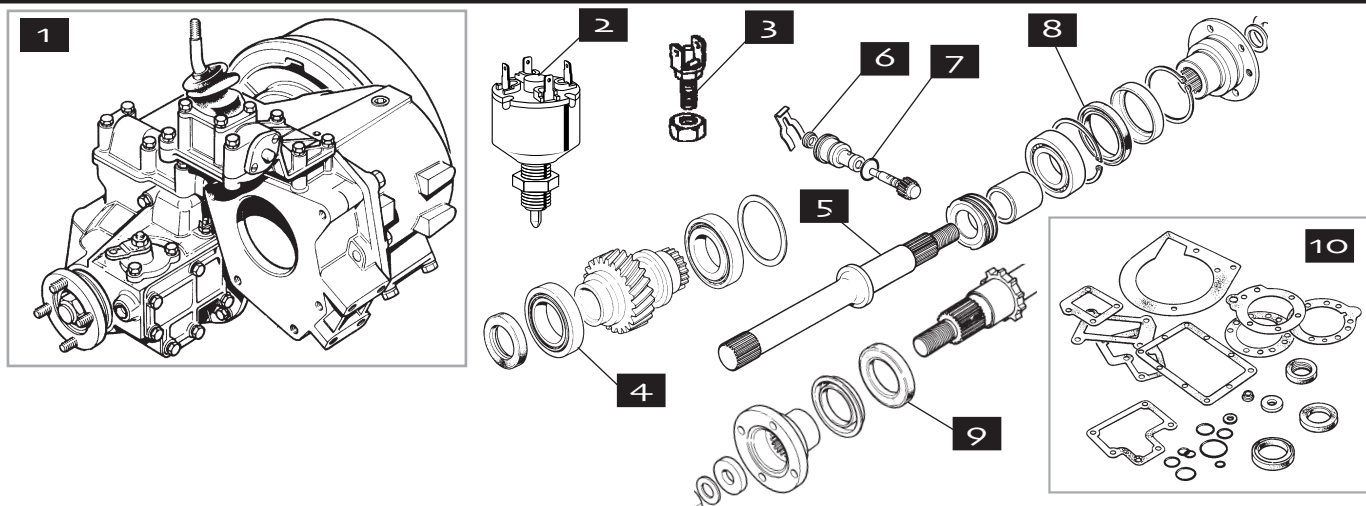


Description	Order Number	Explanatory Notes	Qty
1. Automatic Transmission, New	RV-FTC3099	3.5 & 3.9 Liter	A/R
1. Automatic Transmission, Rebuilt	RV-FTC3099R	3.5 & 3.9 Liter	A/R
1. Automatic Transmission, New	RV-FTC2871E	4.2 Liter	A/R
1. Automatic Transmission, Rebuilt	RV-FTC2871R	4.2 Liter	A/R
2. Start/Inhibit & Reverse Switch	RV-RTC4937		1
3. Gasket, Case to Governor Housing	RV-RTC4295		1
4. Coupling Shaft	RV-FTC5090		1
5. Rear Oil Seal	RV-RTC4650		1
6. Pan Gasket	RV-RTC4268		1
7. Drain Plug	RV-RTC4647		1
8. Washer, Drain Plug	RV-STC1060		1
9. Auto Trans Filter Kit	RV-RTC4653	Includes Filter, Gasket and Two O-Rings.	1
10. Front Oil Seal	RV-RTC5102		1
11. Front Pump Assembly, ZF	RV-STC1836	1993-on	1
12. Illumination Unit, Auto Shifter	RV-RTC6683	Through 1992	1
13. Shift Control Cable	RV-FTC566		1
14. Drive Plate/Ring Gear Assy	RV-FRC7851		1
15. Ring Gear Only	RV-603340		1
16. Gaskets & Seals Kit	RV-RTC5100	Does not include filter.	1
17. Bearings Kit	RV-RTC5101		1



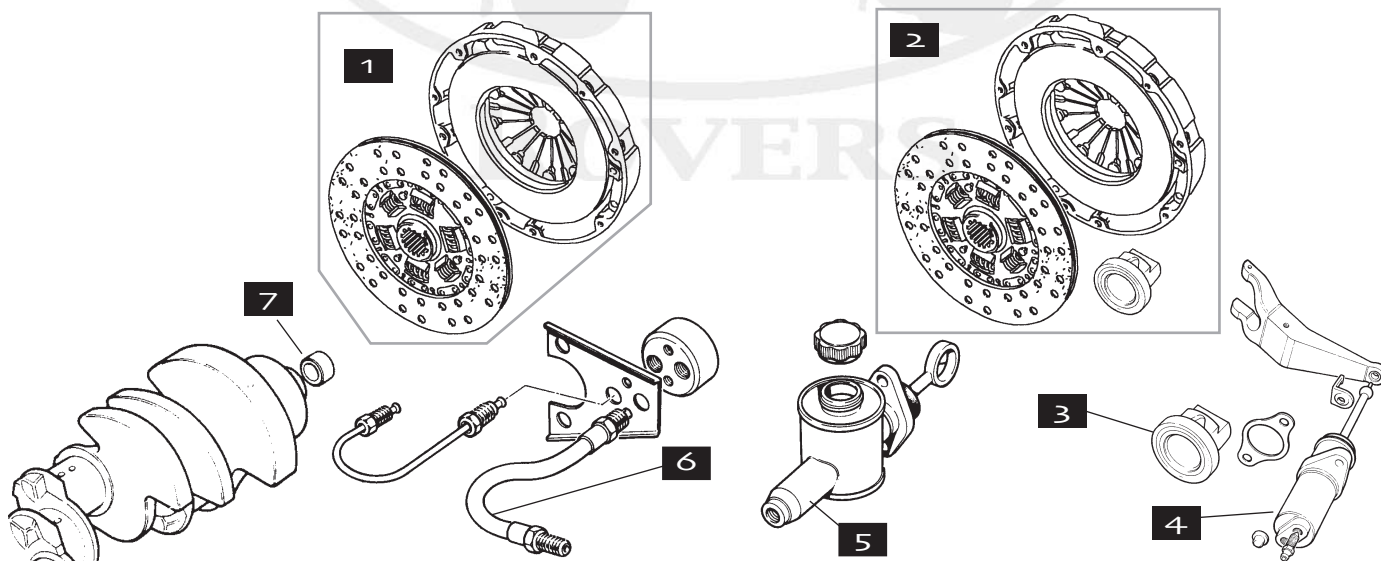
Description	Order Number	Explanatory Notes	Qty
1. Transfer Box, Rebuilt	RV-FTC1464N	1989-on, Borg Warner type	A/R
2. Seal, Output Shaft	RV-FTC4939	1989-on, Borg Warner type	1
3. Front Casing Seal	RV-FRC2365	1989-on, Borg Warner type	1
4. Filter	RV-RTC6011	1989-on, Borg Warner type	1
5. Seal, Front	RV-FRC4939	1989-on, Borg Warner type	1
6. Front Seal, small behind washer	RV-RTC6363	1989-on, Borg Warner type	1
7. Front Main Seal	RV-FTC4939	1989-on, Borg Warner type	1
8. Output shaft, Borg Warner	RV-FTC657	1989-on, Borg Warner type	1
9. Seal, speedometer drive	RV-AAU2304	1989-on, Borg Warner type	1
10. O-ring, speedometer drive	RV-571665	1989-on, Borg Warner type	1
11. Switch, neutral sensing	RV-PRC6609	1989-on, Borg Warner type	1
12. Switch, oil temperature, BW	RV-PRC7984	1989-on, Borg Warner type	1

## TRANSFER GEARBOX "LT230T" RANGE ROVER CLASSIC

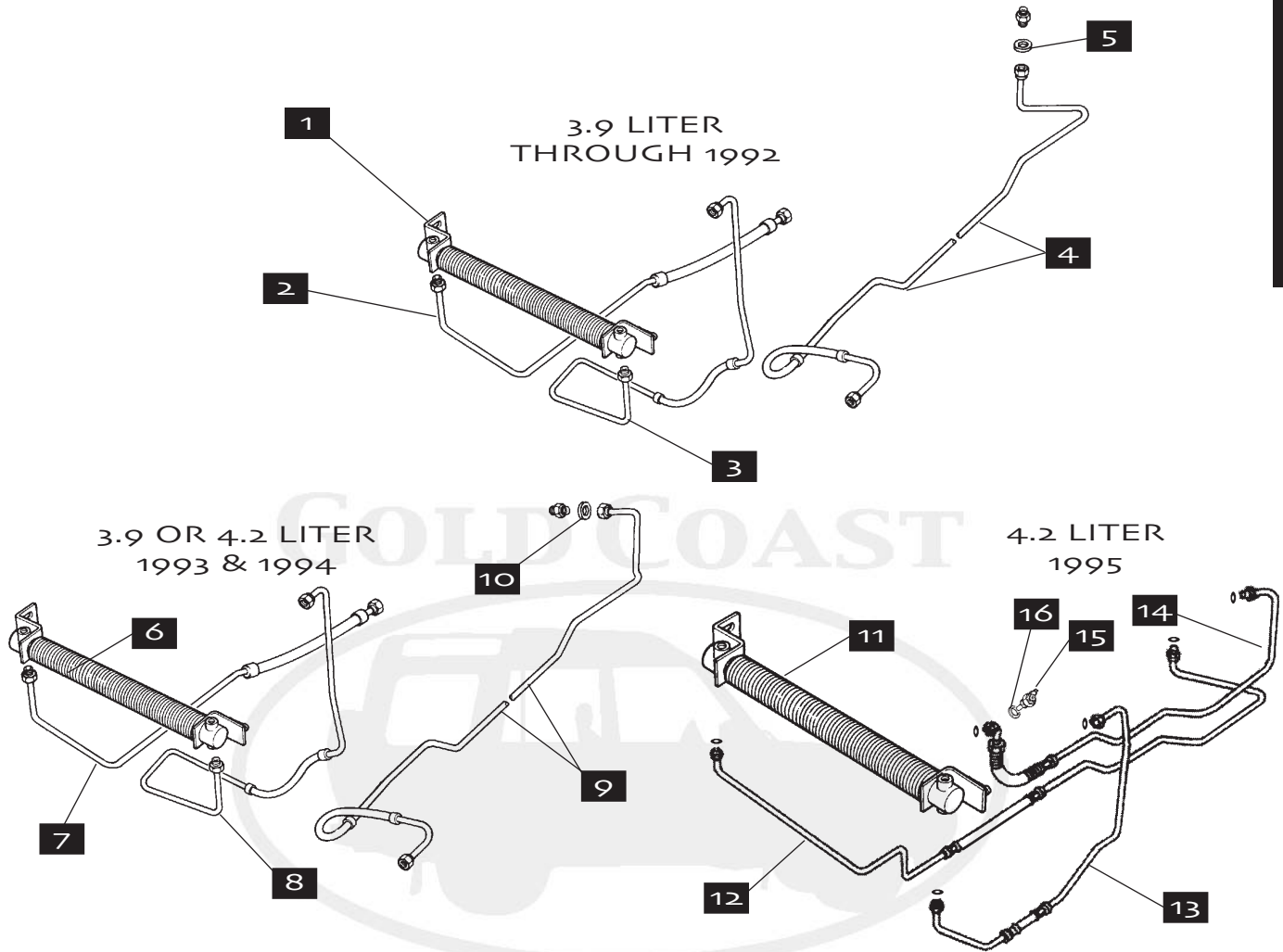


Description	Order Number	Explanatory Notes	Qty
1. Transfer Case, Rebuilt	RV-IAB100020	1987 and 1988	A/R
2. Start/Inhibit & Neutral Switch	RV-34531	1987 and 1988	1
3. Switch, Differential Lock	RV-PRC2911	1987 and 1988	1
4. Seal, Main Shaft	RV-ICV100000	1987 and 1988	1
5. Output shaft	RV-FRC5450	1987 and 1988	1
6. Seal, speedometer drive	RV-AAU2304	1987 and 1988	1
7. O-Ring, speedometer drive	RV-571665	1987 and 1988	1
8. Seal	RV-FTC4939	Rear Flange, 1987 and 1988	1
9. Seal	RV-FTC4939	Front Flange, 1987 and 1988	1
10. Seal & Gasket Kit	RV-RTC3890	1987 and 1988	1

## CLUTCH, GRAY MARKET RANGE ROVER CLASSIC

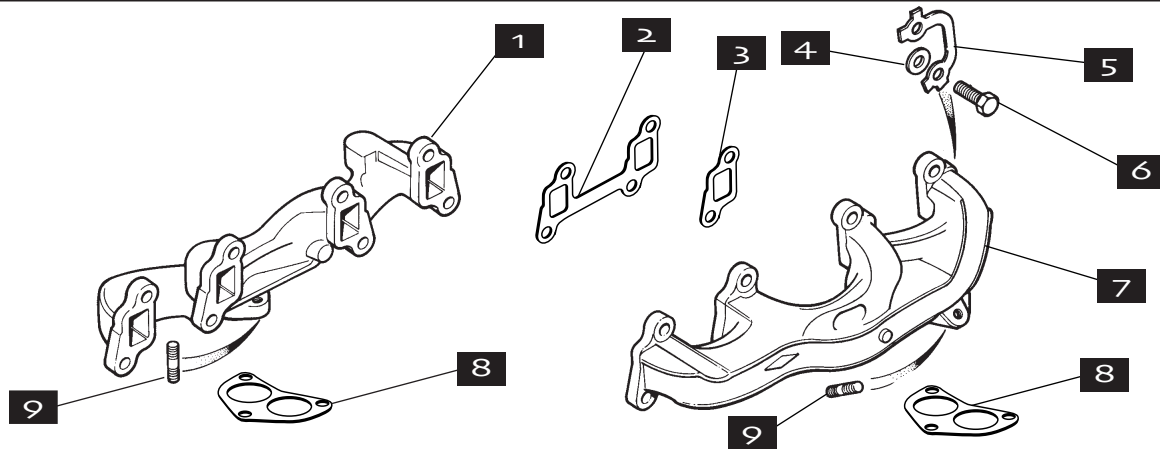


Description	Order Number	Explanatory Notes	Qty
1. Clutch Cover and Plate	RV-FTC4828	3.9 Liter, Gray Market	A/R
2. Clutch Kit	RV-HK9109	Disc, cover plate & bearing, Gray Market	A/R
3. Clutch Throw-out Bearing only	RV-FRC9568	Gray Market	1
4. Clutch Slave Cylinder	RV-TKC2786L	Gray Market	1
5. Clutch Master Cylinder	RV-AEU1714	Gray Market	1
6. Clutch Hose	RV-NTC3400	Gray Market	1
7. Output Shaft Bearing	RV-549911	Gray Market	1

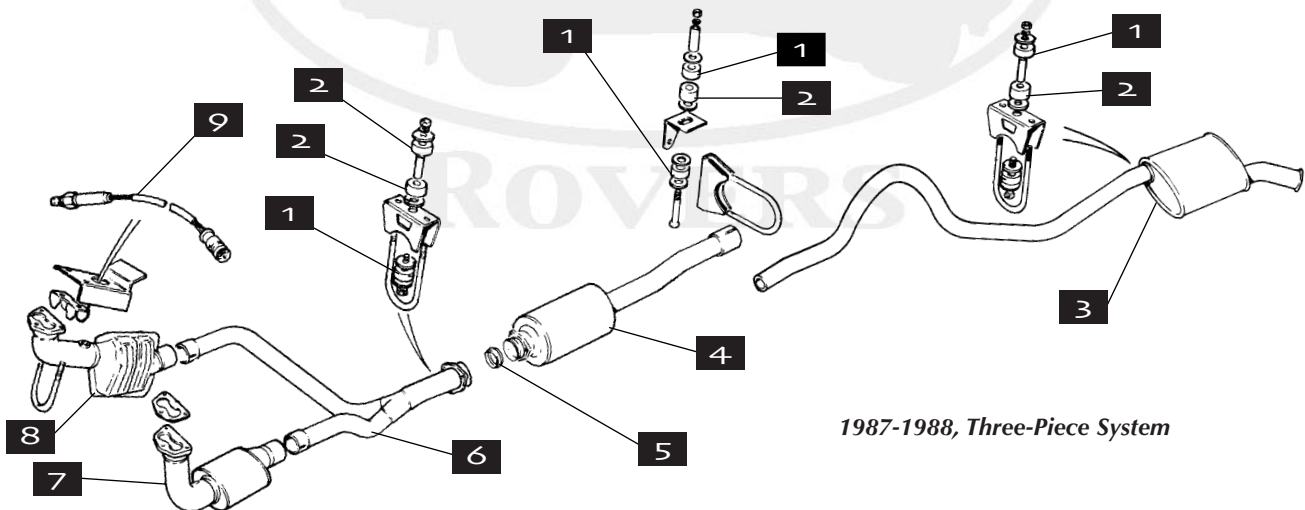


Description	Order Number	Explanatory Notes	Qty
1. Gearbox Cooler	RV-NTC6166	3.9 Liter through 1992	1
2. Flex Hose/Pipe	RV-NTC5799	3.9 Liter through 1992; right side of cooler to pipe	1
3. Flex Hose/Pipe	RV-NTC5743	3.9 Liter through 1992; Left side of cooler to radiator	1
4. Flex Hose/Pipe	RV-NTC5741	3.9 Liter through 1992; Radiator to transmission	1
5. Seal, Hard Lines to Transmission	RV-FTC1525	3.9 Liter through 1992	2
6. Gearbox Cooler	RV-ESR1703	3.9 or 4.2, 1993 & 1994	1
7. Flex Hose/Pipe	RV-ESR1243	3.9 or 4.2, 1993 & 1994; to Right side of cooler	1
8. Flex Hose/Pipe	RV-ESR1242	3.9 or 4.2, 1993 & 1994; Left side of cooler to radiator	1
9. Flex Hose/Pipe	RV-ESR2252	3.9 or 4.2, 1993 & 1994; gearbox to radiator	1
10. Seal, Pipes to Transmission	RV-FTC1525	3.9 or 4.2, 1993 & 1994	2
X. O-Ring, Flex Hose/Pipe	RV-ESR1594L	3.9 or 4.2, 1993 & 1994 (Not Shown)	7
11. Gearbox Cooler	RV-ESR1703	1995	1
12. Flex Hose/Pipe, Automatic transmission	RV-UBP101020	1995; From transmission to RH side of cooler	1
13. Flex Hose/Pipe, Automatic transmission	RV-ESR3695	1995; From radiator to LH side of cooler	1
14. Flex Hose/Pipe, Automatic transmission	RV-UBP101030	1995; From transmission to radiator	1
15. Oil Temp Switch	RV-AMR4948	1995 Only; Fits in RV-UPB101030 hose	1
16. Washer, Oil Temp Switch	RV-232039		1
Y. Seal, Pipes to Transmission	RV-FTC1525	(Not Shown)	2
Z. O-Ring	RV-ESR1594L	1995 (Not Shown)	6

# REPLACEMENT EXHAUST, RANGE ROVER CLASSIC



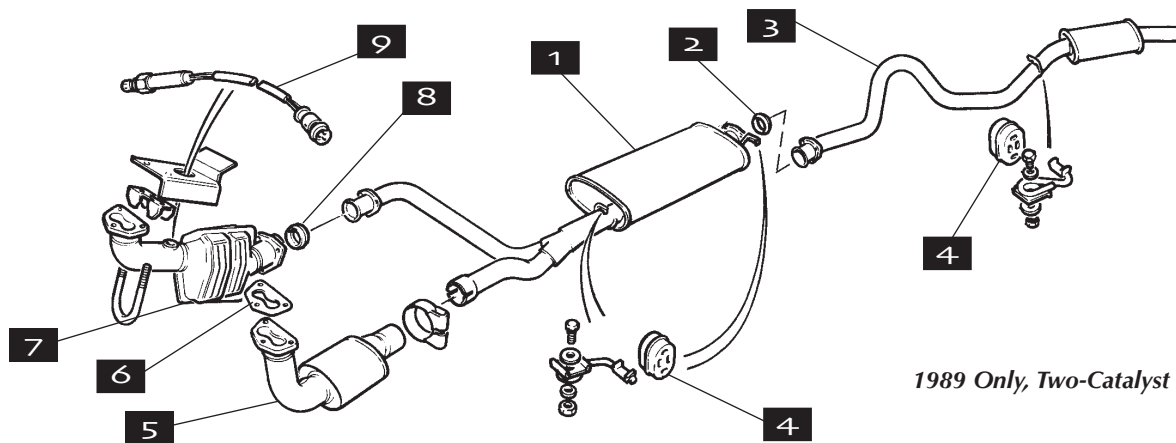
Description	Order Number	Explanatory Notes	Qty
1. Exhaust Manifold, Right	RV-ERR7394		1
2. Gasket, Manifold to Head	RV-ERR6733	36D-Series 3.9 liter from 36D25156B;	2
3. Gasket, Manifold to Head	RV-ERC3606	All 3.5 liter; all 38D-Series 3.9 liter; 36D-Series 3.9 liter to 36D25155B; 4.2 liter from 40D09583.	4
4. Washer, plain	RV-3036L		16
5. Locking Plate	RV-ERC7321		8
6. Bolt	RV-SH506095L		16
7. Exhaust Manifold, Left	RV-ERR7393		1
8. Gasket, Manifold to Downpipe	RV-ETC4524	All	2
9. Stud	RV-ERR551L		6



1987-1988, Three-Piece System

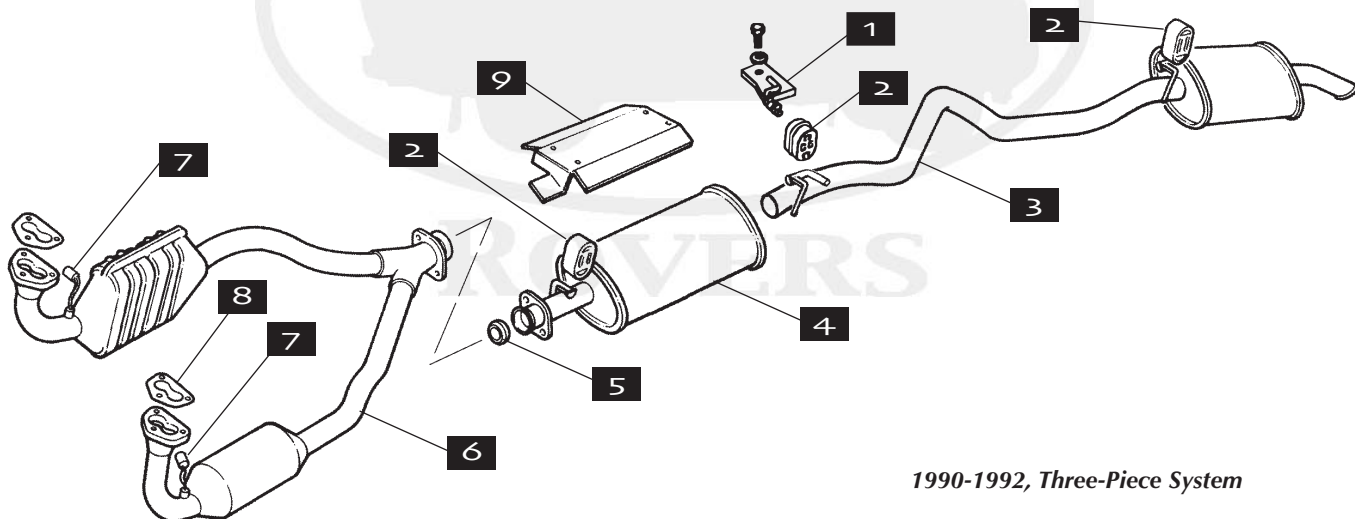
Description	Order Number	Explanatory Notes	Qty
1. Mount Bushing, as required	RV-572166		A/R
2. Mount Bushing, as required	RV-572167		A/R
3. Rear Muffler/Tailpipe	RV-NTC4059*		1
<b>Joining pipe from center muffler slips over forward end of this pipe. Rolled lip at rear points back.</b>			
4. Intermediate Muffler/Pipe/Cat	RV-NTC3949		1
5. Olive, "Y" pipe to Center Muffler	RV-NTC1030		1
6. Intermediate "Y" pipe	RV-NTC3912		1
7. Downpipe/Catalyst, LH	RV-NTC3884		1
8. Downpipe/Catalyst, RH	RV-NTC3901		1
9. Oxygen Sensor	RV-ERR6729		2





1989 Only, Two-Catalyst System

Description	Order Number	Explanatory Notes	Qty
1. Intermediate Muffler	RV-NTC5578*	1989; Two inlets, one outlet	1
2. Olive	RV-CRC4579L	1989, Intermediate Muffler to Tailpipe	1
3. Rear Muffler/Tail pipe	RV-NTC5579*	1989; Flair fitting to center muffler; exit faces down.	1
4. Mounting Rubber	RV-NTC5582	1989, Intermediate muffler and tail pipe	1
5. Downpipe/Catalyst, LH	RV-NTC5577	1989	1
6. Gasket, Manifold-to-Catalyst	RV-ETC4524	1989	2
7. Downpipe/Catalyst, RH	RV-NTC5576	1989	1
8. Olive, Catalyst to Intermediate Muffler	RV-NTC1030	1989	1
9. Oxygen Sensor	RV-ERR6729	1989	2

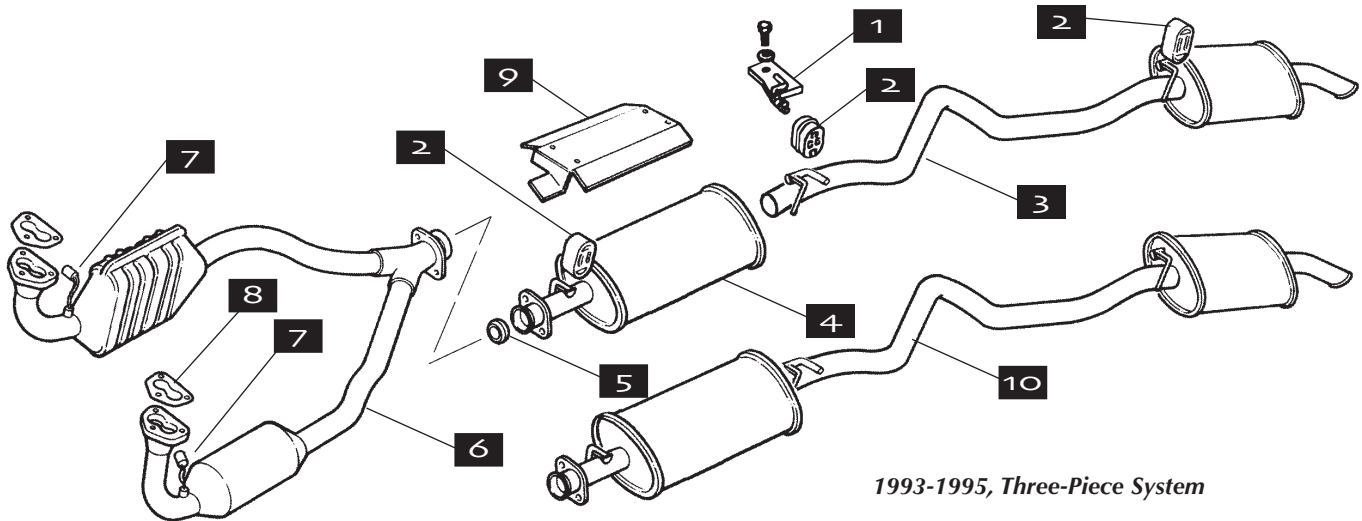


1990-1992, Three-Piece System

Description	Order Number	Explanatory Notes	Qty
1. Mounting Bracket	RV-ESR101	1990-1992	3
2. Mounting Rubber	RV-NTC5582	1990-1992	3
3. Tailpipe/Muffler, aftermarket	RV-ESR1053-2*	1990-1992	1
<b>Note: When purchased from the factory, RV-ESR1053 was one piece, incorporating the center muffler and rear muffler and mounts. The aftermarket version is sold as two pieces, intermediate muffler, and rear muffler/tail pipe. When replacing an original equipment rear pipe assembly, both of these pieces must be purchased.</b>			
4. Intermediate Muffler, aftermarket	RV-ESR1053-1*	1990-1992	1
5. Olive, Catalyst to Intermediate Muffler	RV-CRC4579L	1990-1992	1
6. Downpipe/Catalyst (one piece)	RV-ESR3059	1990-1992	1
7. Oxygen Sensor	RV-ERR6729	1990-1992	2
8. Gasket, Manifold-to-Catalyst	RV-ETC4524	1989	2
9. Heat Shield	RV-NTC7196	1990-1992	1

\* Denotes Aftermarket Part

REPLACEMENT EXHAUST, BORLA EXHAUST, RANGE ROVER CLASSIC



1993-1995, Three-Piece System

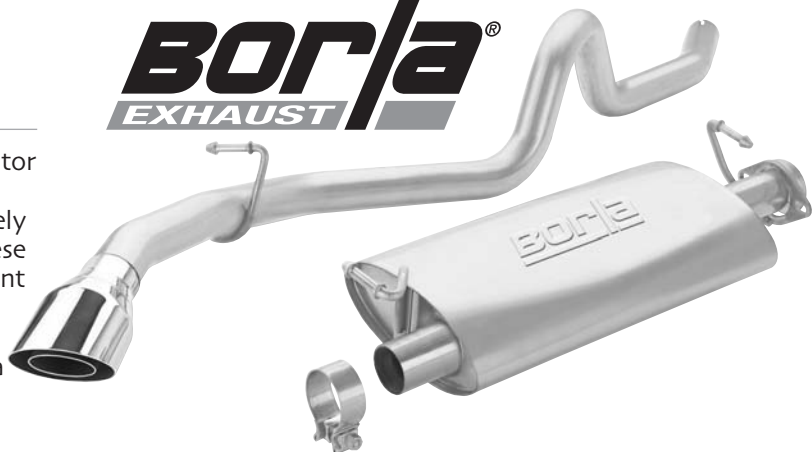
Description	Order Number	Explanatory Notes	Qty
1. Mounting Bracket on Body, 3 required	RV-ESR101	1993-1995	3
2. Mounting Rubber, 3 required	RV-NTC5582	1993-1995	3
3. Tailpipe/Muffler, aftermarket	RV-ESR1053-2*	1993-1995	1
<b>Note: When purchased from the factory, ESR1053 was one piece, incorporating the center muffler and rear muffler and mounts. The aftermarket version is sold as two pieces, intermediate muffler, and rear muffler/tail pipe. When replacing an original equipment rear pipe assembly, both of these pieces must be purchased.</b>			
4. Intermediate Muffler, aftermarket	RV-ESR1053-1*	1993-1995	1
5. Olive, Downpipe to Intermediate Muffler	RV-CRC4579L	1993-1995	1
6. Downpipe/Catalyst, 1993-1995, 100"	RV-ESR3059	1993-1995; 100" wheelbase, California spec.	1
6. Downpipe/Catalyst, 1993-1995, 100"	RV-ESR3573	1993-1995; 100" wheelbase, non-California spec.	1
6. Downpipe/Catalyst, 1993-1995 County	RV-ESR3060	1993-1995 County LWB	1
7. Oxygen Sensor	RV-ERR6729	1993-1995	2
8. Gasket, Manifold-to-Catalyst	RV-ETC4524	1993-1995	2
9. Heat Shield	RV-NTC7196	1993-1995	1
10. Intermediate Muffler/Tailpipe Assembly	RV-WCE104641	1993-1995 LWB (108"), from SA660255	1

ROVERS

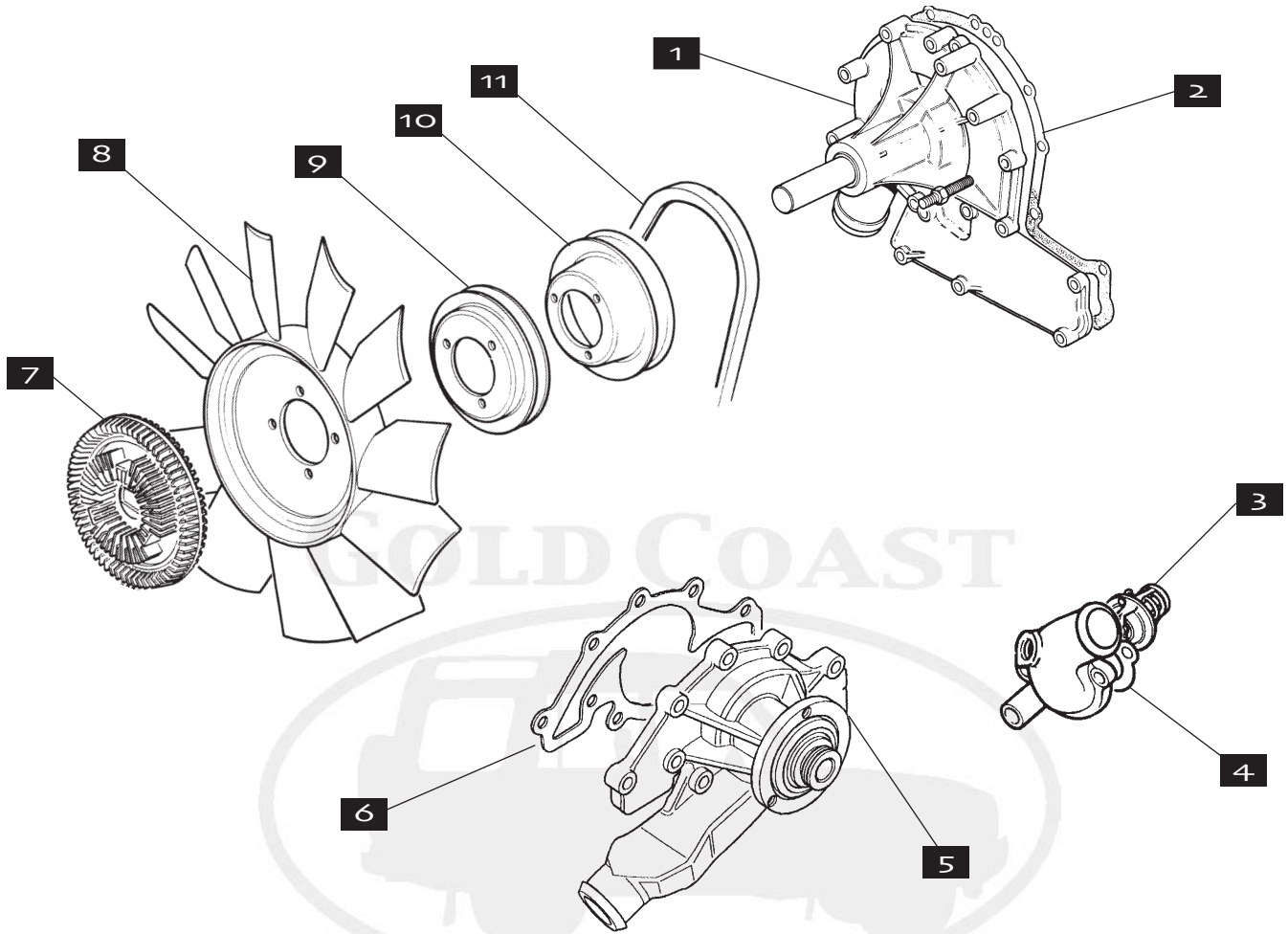
**Borla Stainless Exhaust System**



Gold Coast Rovers is a Warehouse Distributor for Borla Exhaust, the leader in late-model performance exhaust systems. Made entirely of aircraft-quality T-304 stainless steel, these "cat-back" systems are entirely mandrel-bent for smooth flow and noticeable power gains. Give your Land Rover a distinctive exhaust note and more power with a Borla stainless steel exhaust system.



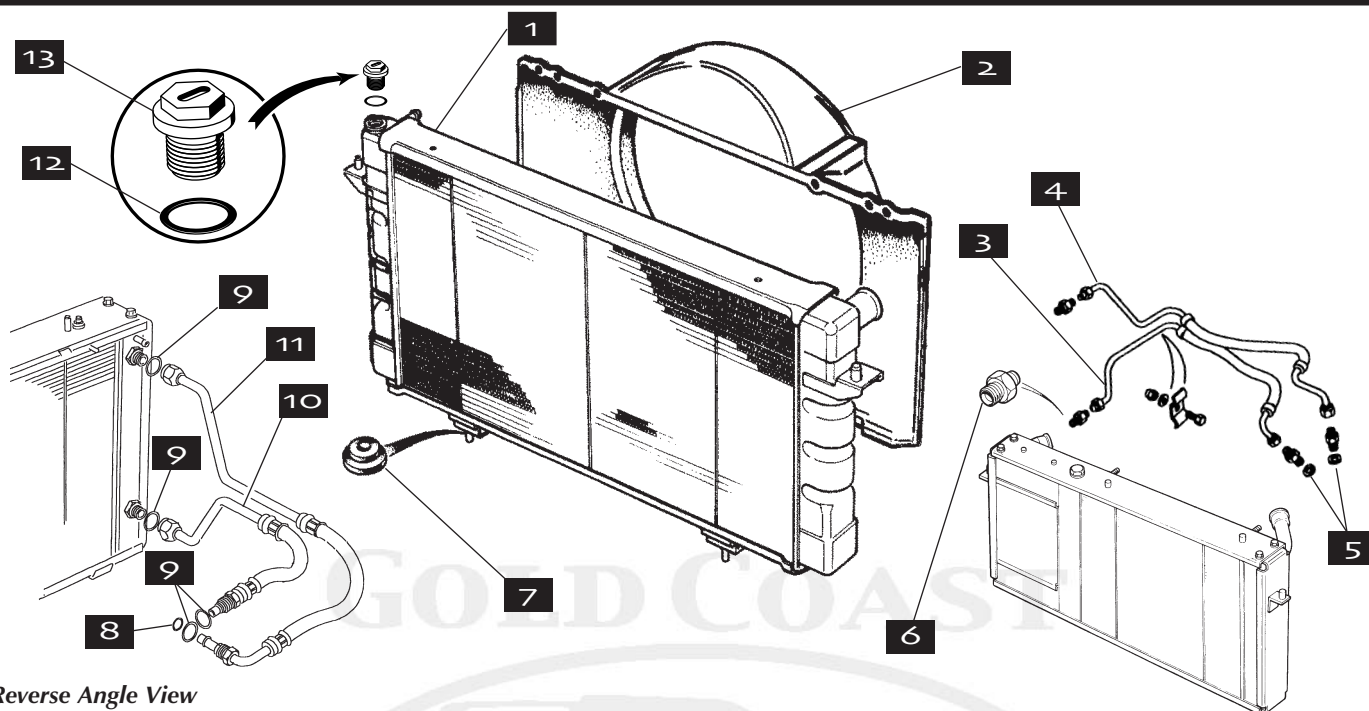
1990-1995 Range Rover (Long Wheelbase only) .....RV-14639



Description	Order Number	Explanatory Notes	Qty
1. Water Pump	RV-STC1610*	Pre-1987 Gray market vehicles with fan clutch and no A/C	1
1. Water Pump	RV-STC486	1971-1982 Gray market; four studs to mount fan	1
1. Water Pump	RV-STC483*	USA-spec Range Rover, 1987 to early 1993	1
<b>NOTE: RV-STC483* has three holes to mount pulley, with eleven-blade fan; to engines 36D25155B and 40D09582B</b>			
2. Gasket, Water Pump	RV-ERR2428	For STC483 and earlier pumps	1
3. Thermostat	RV-ETC4765	All	1
4. Gasket, Thermostat	RV-ERR2429	All	1
5. Water Pump	RV-STC4378	Early 1993-on USA-spec Range Rover, from engines 36D25156B and 40D09583B	1
6. Gasket, Water Pump	RV-ERR4077	For STC4378	1
7. Fan Clutch	RV-ERC2849	Gray Market only (pre 1987 non-USA)	1
7. Fan Clutch	RV-ETC1260	USA-Spec., 1987 to early 19931 (to engines 36D25155B and 40D09582B)	1
7. Fan Clutch	RV-ERR3443	USA-Spec., early 1993-1995 (engines 36D25155B and 40D09582B-on)	1
8. Fan Blade	RV-ETC1275	White; to engines 36D25155B and 40D09582B	1
8. Fan Blade	RV-ERR3439	Black; from engines 36D25156B and 40D09583B	1
9. Pulley, pump-to-crankshaft	RV-ETC5423		1
10. Pulley, pump to A/C comp.	RV-ETC5422		1
11. Belt, Crankshaft To Waterpump	RV-611612	1992 To 1994	1

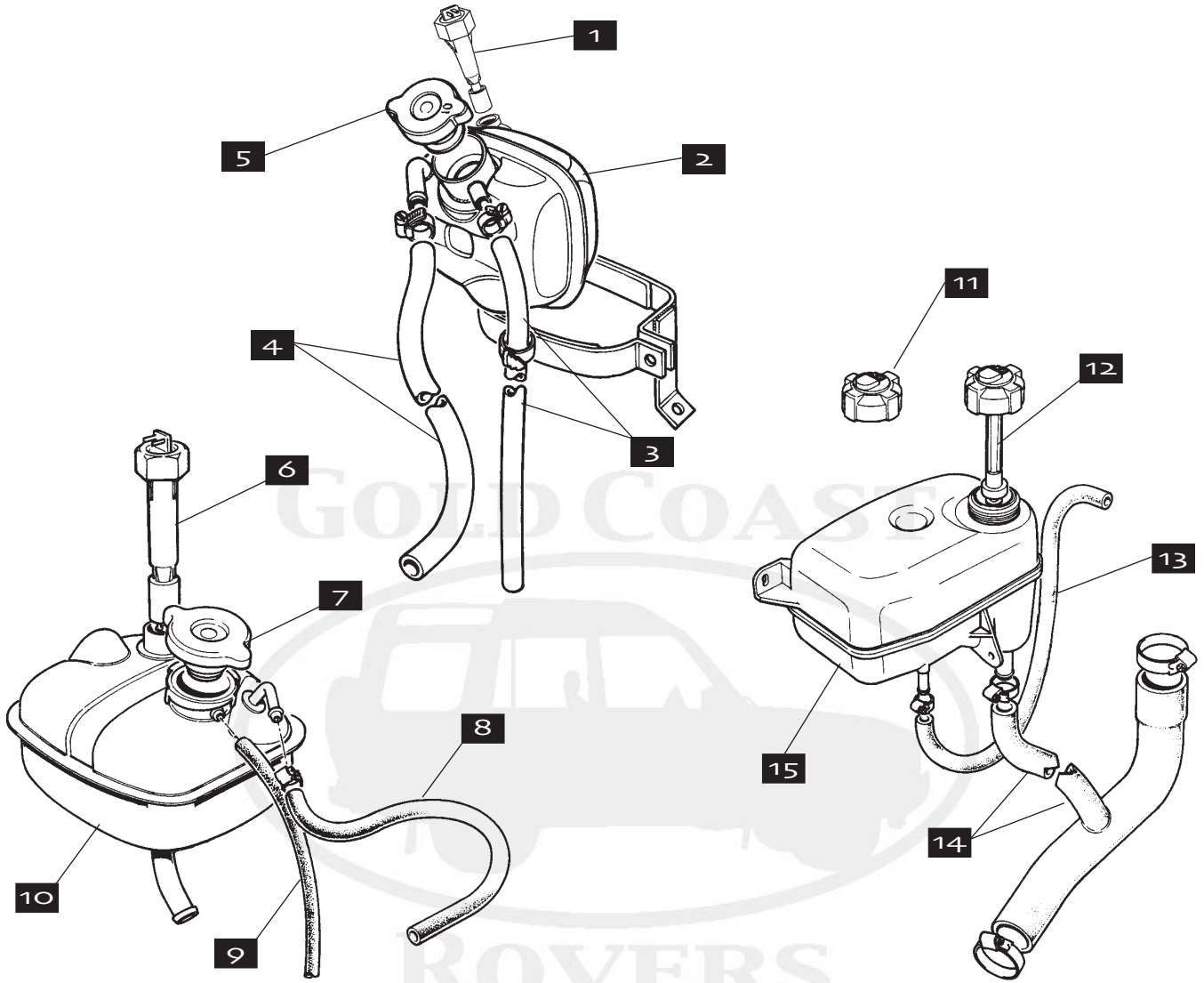
\* Denotes Aftermarket Part

## COOLING SYSTEM, RADIATOR, RANGE ROVER CLASSIC



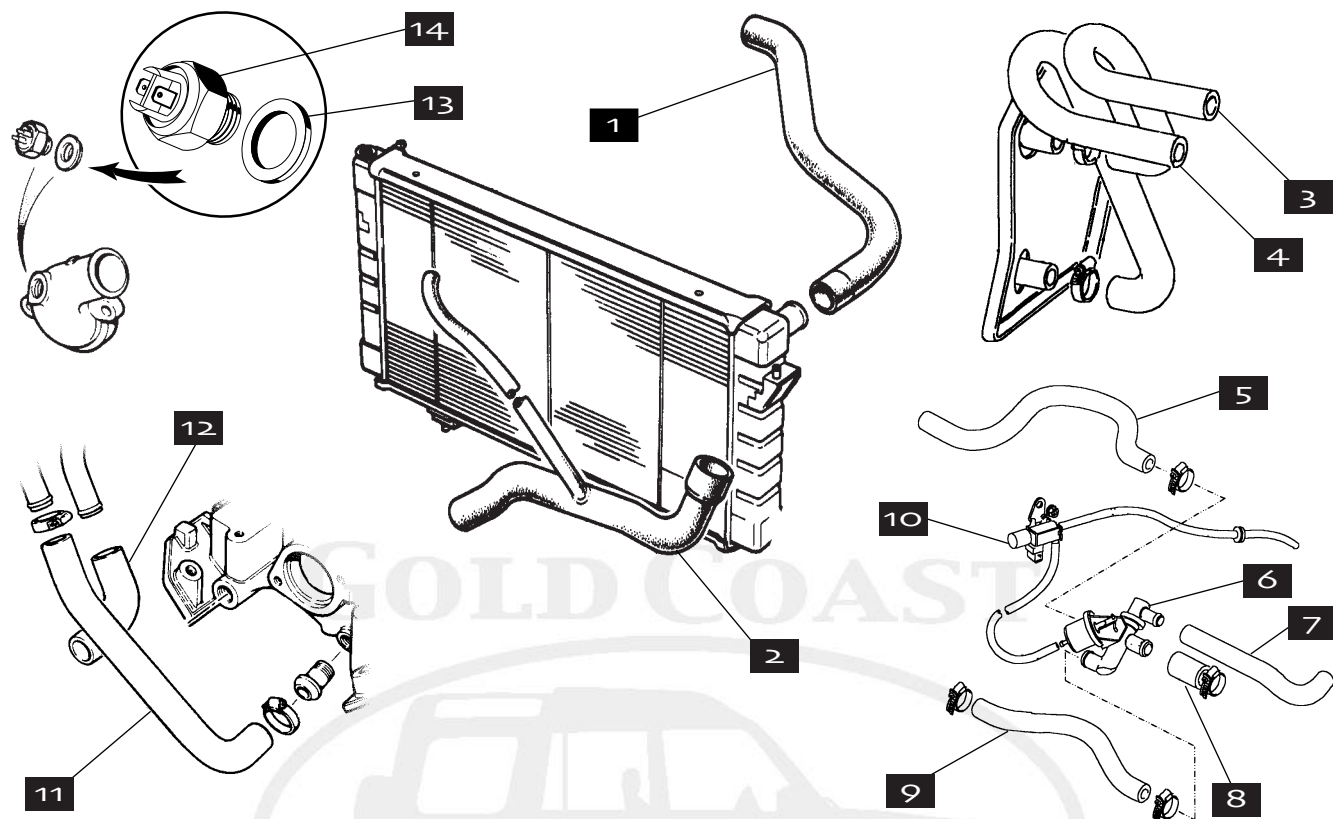
Reverse Angle View

Description	Order Number	Explanatory Notes	Qty
1. Radiator	RV-ESR80	3.5-Liter	1
1. Radiator	RV-ESR3687	3.9-Liter through 1992, 1993-1995	1
2. Radiator Fan Cowl	RV-NTC1173	3.5-liter with original radiator	1
2. Radiator Fan Cowl	RV-ESR1027	3.5-liter with ESR80 radiator; 3.9 RR thru '94	1
2. Radiator Fan Cowl	RV-ESR3226	1995, Upper	1
2. Radiator Fan Cowl	RV-ESR2847	1995, Lower	1
3. Engine Oil Cooler Hose/Pipe	RV-NTC6289	Lower Hose (Outlet from Cooler on Radiator); 3.9-Liter through 1989	1
3. Engine Oil Cooler Hose/Pipe	RV-NTC5972	Lower Hose (Outlet from Cooler on Radiator); 3.9-Liter, 1990 & 1991	1
3. Engine Oil Cooler Hose/Pipe	RV-ESR355	Upper Hose (Inlet to Cooler on Radiator); 3.9-Liter, 1992	1
3. Engine Oil Cooler Hose/Pipe	RV-ESR1672	Lower Hose (Outlet from Cooler on Radiator); 3.9-Liter, 1993 & 1994	1
4. Engine Oil Cooler Hose/Pipe	RV-NTC5620	Upper Hose (Inlet to Cooler on Radiator); 3.9-Liter through 1989	1
4. Engine Oil Cooler Hose/Pipe	RV-ESR137	Upper Hose (Inlet to Cooler on Radiator); 3.9-Liter, 1990 & 1991	1
4. Engine Oil Cooler Hose/Pipe	RV-ESR356	Lower Hose (Outlet from Cooler on Radiator); 3.9-Liter, 1992	1
4. Engine Oil Cooler Hose/Pipe	RV-ESR1671	Upper Hose (Inlet to Cooler on Radiator); 1993 & 1994	1
5. Gasket	RV-ETC9065	Under engine adapters (no gaskets under radiator adapters)	2
6. Adapter, at radiator	RV-NTC3858		1
6. Adapter, at engine	RV-ETC9064		1
7. Radiator Mount Bush	RV-572312		4
8. Small O-Ring	RV-ESR3098		2
9. Large O-Ring	RV-ESR1594L		4
10. Engine Oil Cooler Hose/Pipe	RV-PBP101160	Lower Hose (Outlet from Cooler on Radiator); 1995	1
11. Engine Oil Cooler Hose/Pipe	RV-PBP101150	Upper Hose (Inlet to Cooler on Radiator); 1995	1
12. O-Ring for Bleed Plug	RV-ERR4685	All	1
13. Radiator Bleed Plug	RV-ERR4686	All	1



Description	Order Number	Explanatory Notes
1. Level Sensor in Tank	RV-PRC5077	All 3.5 & 3.9 through end of 1989
2. Expansion Tank	RV-NTC4084	3.5-Liter up to JA336625
3. Bleed Hose off Tank Filler Neck	RV-564724	All 3.5-Liter; 3.9 1989
4. Hose Off Tank	RV-NTC2736	All 3.5-Liter
5. Filler Cap	RV-PCD100150*	All 3.5; 3.9 through end of 1989
6. Level Sensor in Tank	RV-PRC5077	All 3.5 & 3.9 through end of 1989
7. Filler Cap	RV-PCD100150*	All 3.5; 3.9 through end of 1989
8. Hose Off Tank	RV-NTC2736	All 3.5-Liter
8. Hose Off Tank	RV-NTC6858	3.9-Liter, 1989
9. Bleed Hose Off Tank Filler Neck	RV-564724	All 3.5-Liter; 3.9-Liter 1989
10. Expansion Tank	RV-NTC6701	3.5-Liter from JA-336626-JA351032; 3.9 through 1989
11. Filler Cap, 15 PSI	RV-NTC7161	1995
12. Filler Cap/Level Sensor	RV-PRC7925	1990-1994
13. Small Bleed Hose Off Tank	RV-NTC7298	1990-on
14. Large Hose Off Tank	RV-NTC7297	1990-on; This is also the bottom radiator hose
15. Expansion Tank	RV-PCF101590	3.9-Liter 1990-on; all 4.2

\* Denotes Aftermarket Part



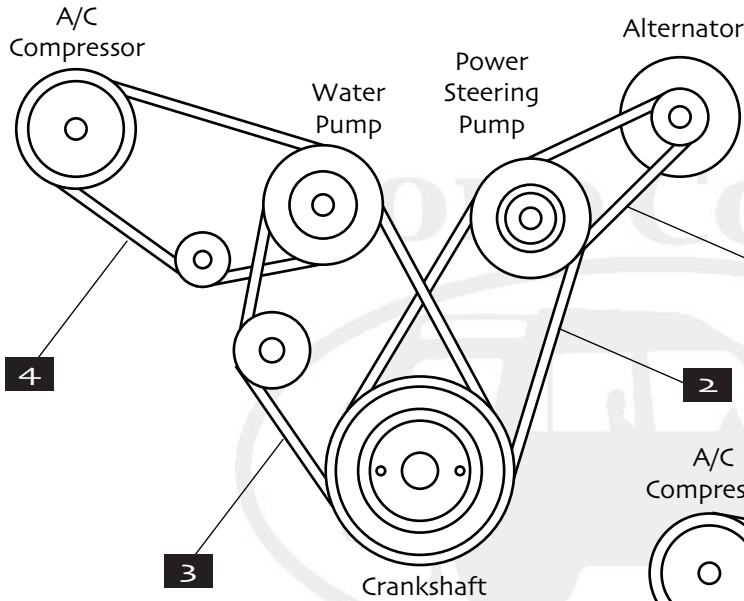
Description	Order Number	Explanatory Notes	Qty
1. Top Hose	RV-ESR3297	All 3.5; all 3.9; 4.2 from SA647650	1
1. Top Hose	RV-ESR2167	4.2 Liter to RA647649	1
2. Bottom Hose	RV-NTC1174	3.5-Liter Radiator to Water Pump	1
2. Bottom Hose	RV-NTC5632	3.5 & 3.9 to end of 1989 Radiator to Pump and Expansion Tank	1
2. Bottom Hose	RV-NTC7297	1990-1994	1
2. Bottom Hose	RV-ESR1818	1995	1
3. Heater Inlet Hose	RV-BTR216		1
4. Heater Outlet Hose	RV-BTR217		1
5. Hose, Valve to Heater	RV-BTR8727	To RA104738 Valve and associated pipes deleted thereafter	1
6. Heater Valve	RV-BTR4022	To RA104738 Valve and associated pipes deleted thereafter	1
7. Hose, Valve to Engine	RV-BTR4008		1
7. Heater Supply Hose	RV-BTR8725	Front of Intake manifold, from mid 1995, VIN SA647646	1
8. Hose, Engine to Valve	RV-BTR4016	To RA104738 Valve and associated pipes deleted thereafter	1
9. Hose, Heater to Valve	RV-BTR8726	To RA104738 Valve and associated pipes deleted thereafter	1
9. Hose, Heater In/Out	RV-PCH000100	From RA104739 to End of SA (1995)	2
10. Vacuum Solenoid	RV-BTR4190	To RA104738 Valve and associated pipes deleted thereafter	1
11. Heater Supply Hose	RV-ETC6890	Front of Intake manifold, to mid 1995, VIN SA647645	1
12. Heater Return Hose	RV-ETC6889	Front of intake manifold, elbow	1
13. Sealing Washer Under Switch	RV-C457593		1
14. Cooling Fan Switch	RV-PRC3505		1



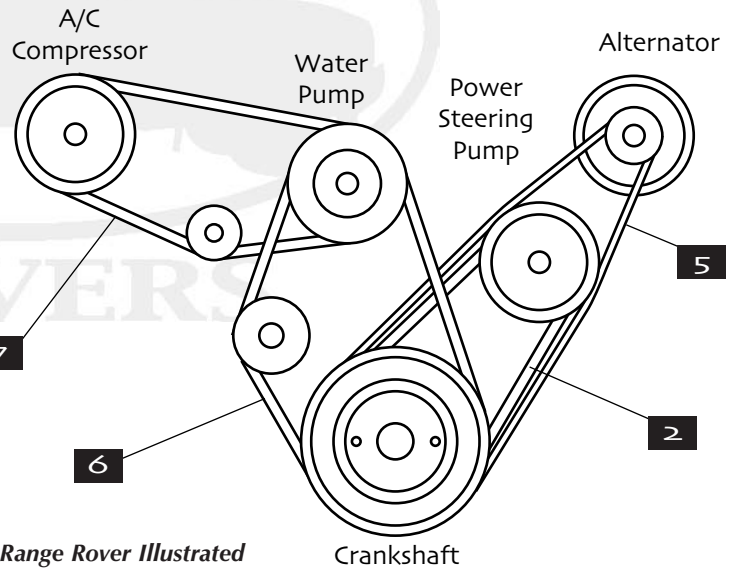
**Land Rover Cooling Hose Kits**

Replacing one or two hoses at a time almost guarantees the need to go back later and re-trace your steps. Get great peace of mind by changing all the hoses in one shot. These multi-hose kits will cost you less than buying each peacemeal.

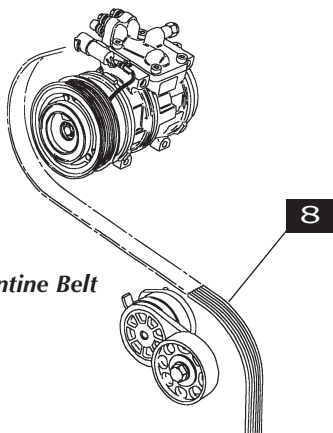
RV-7500	3.5-Liter to JA336625;	8 Pieces	RV-7506	3.9-Liter, 1990-1994;	7 Pieces
RV-7502	3.5-Liter from JA336626-to JA351032;	8 Pieces	RV-7508	3.9-Liter, 1995 Only;	7 Pieces
RV-7504	3.9-Liter, 1989 Only;	8 Pieces	RV-7510	4.2-Liter, 1993 & 1994;	7 Pieces
			RV-7512	4.2-Liter, 1995 Only;	7 Pieces



1990 Range Rover Illustrated



1993 Range Rover Illustrated

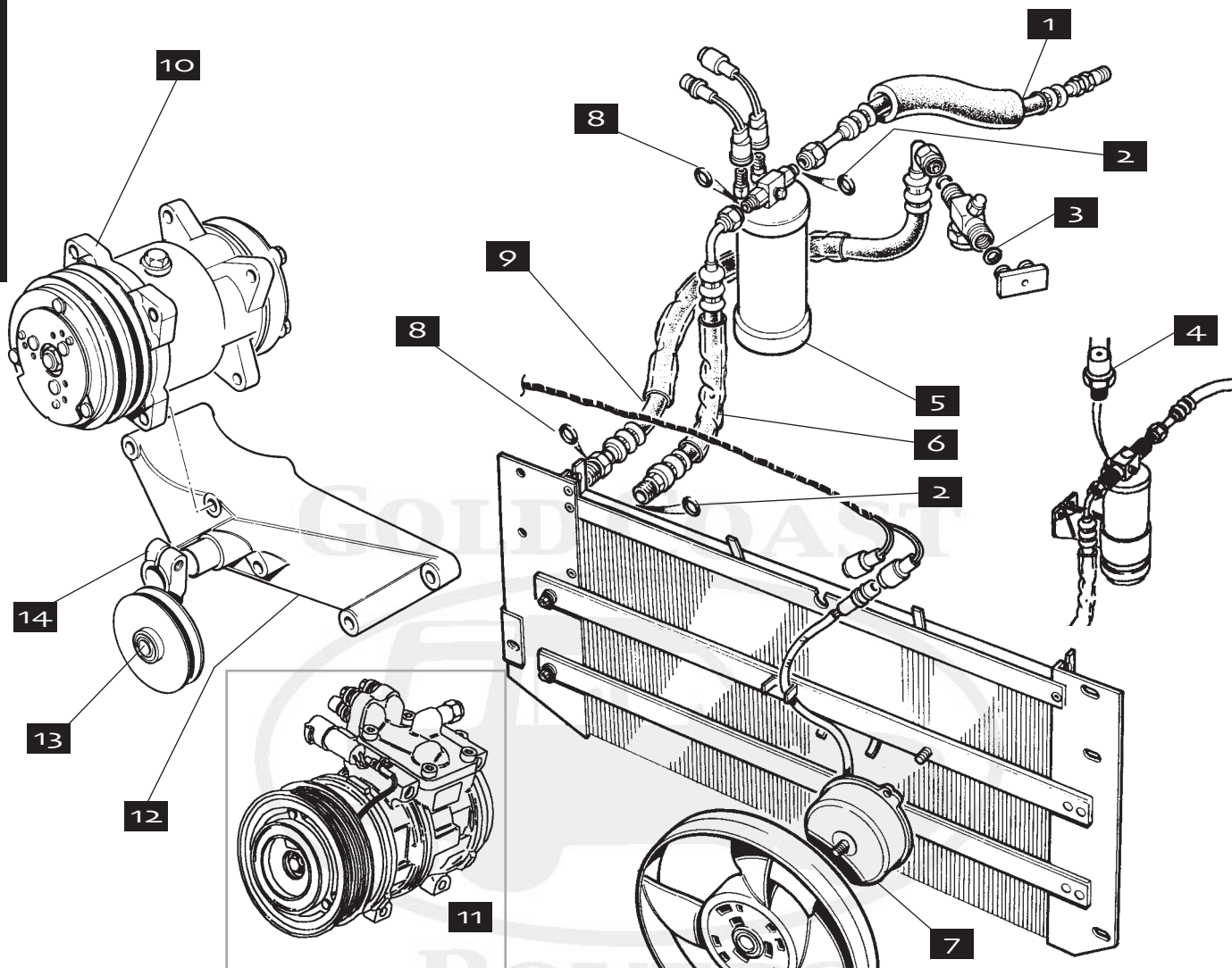


Serpentine Belt

Description	Order Number	Explanatory Notes
1. Steering Pump to Alternator	RV-ERR2073	1987-1992
2. Crankshaft to Steering Pump	RV-ERC675	1987-1992
3. Crankshaft to Water Pump	RV-611612	1987-1992
4. Water Pump to A/C Compress.	RV-611612	1987-1992
5. Crankshaft to Alternator	RV-ERR2678	1993
6. Crankshaft to Water Pump	RV-611612	1993-1995
7. Water Pump to A/C Compress.	RV-611612	1993
8. Crankshaft to A/C Compressor, P/S Pump, Alternator	RV-ERR4623	1994-1995, Serpentine Belt

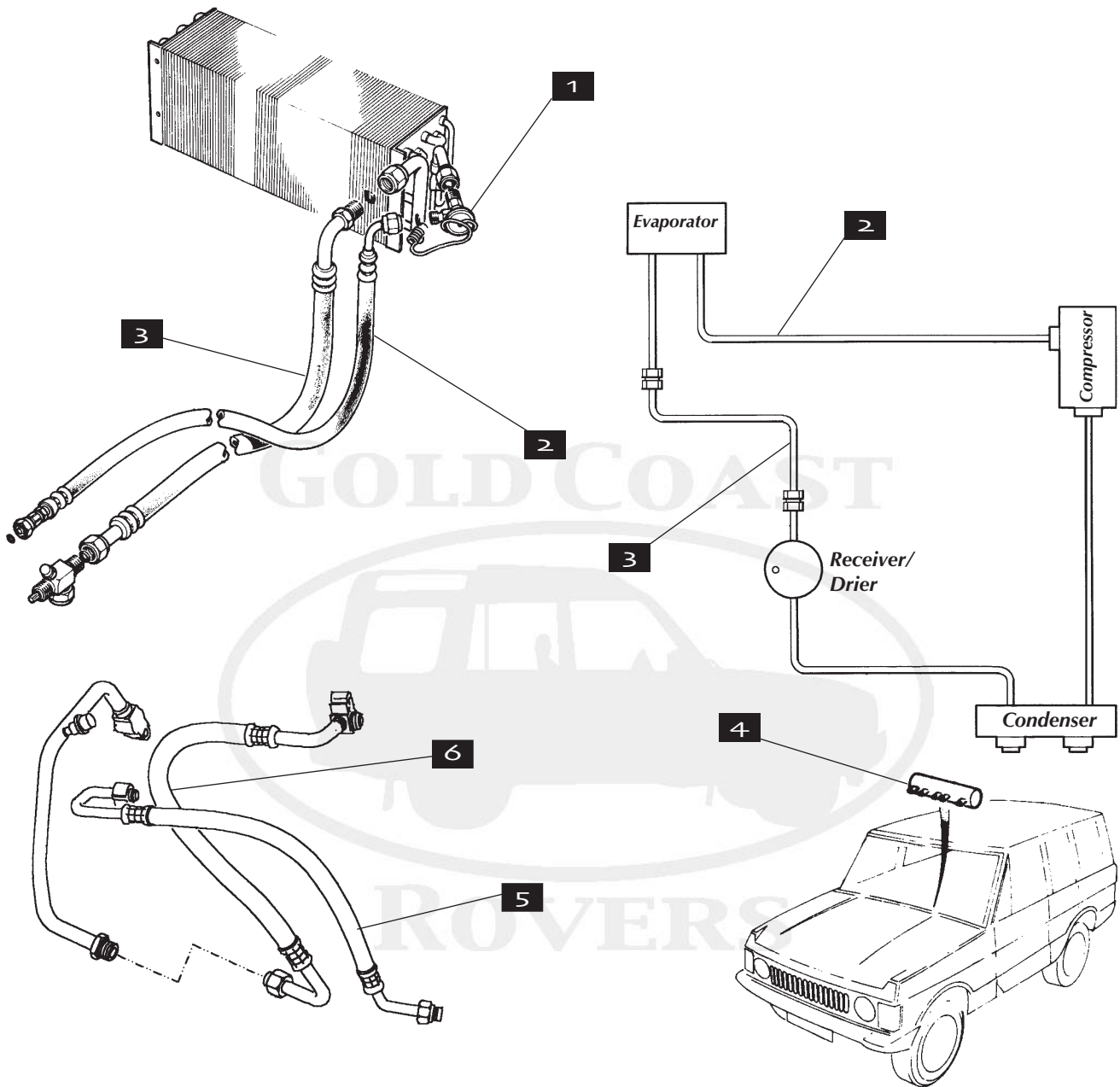
\* Denotes Aftermarket Part

AIR CONDITIONING, RANGE ROVER CLASSIC



Description	Order Number	Explanatory Notes	Qty
1. A/C Hose, Drier to evaporator	RV-AEU3065	To end of 1989	1
2. O-Ring, compressor, condenser & drier	RV-STC3191		4
3. O-Ring, Expansion valve to adapter	RV-RTC7452		1
4. High Pressure Switch	RV-BTR3720	1993-1995	1
5. Receiver/Drier, to end of 1989	RV-AEU1220		1
5. Receiver/Drier, 1990-to mid 1992	RV-LRNA7258	To VIN NA617613	1
5. Receiver/Drier, 1992-1994	RV-BTR3717		1
6. A/C Hose, Drier to condenser	RV-BTR2564	To end of 1994	1
7. Motor, Aux. fan for A/C condenser/radiator	RV-MXC7269	To end of 1989	1
8. O-Ring, to condenser and drier	RV-STC3192		2
9. A/C Hose, compressor to condenser	RV-MXC6270	1993 & 1994	1
9. A/C Hose, condenser to expansion valve	RV-MXC5310	To end of 1989	1
10. A/C Compressor	RV-ETC7994RB	All 3.5-liter, 3.9 to engines 38D20386A and 36D12271A	A/R
10. A/C Compressor, R-12 system	RV-BTR1301	3.9-liter from engines 38D20387A-on; 36D12272A-on and 4.2	A/R
11. A/C Compressor	RV-BTR5750	1994 & 1995, serpentine belt applications	A/R
12. Mounting Bracket	RV-ERR4521	3.5 and 3.9 compressor	1
13. Bearing only, Shaft, Tensioner	RV-614154	Through 1993	1
14. Tensioner assembly	RV-ETC6159	Through 1993	1

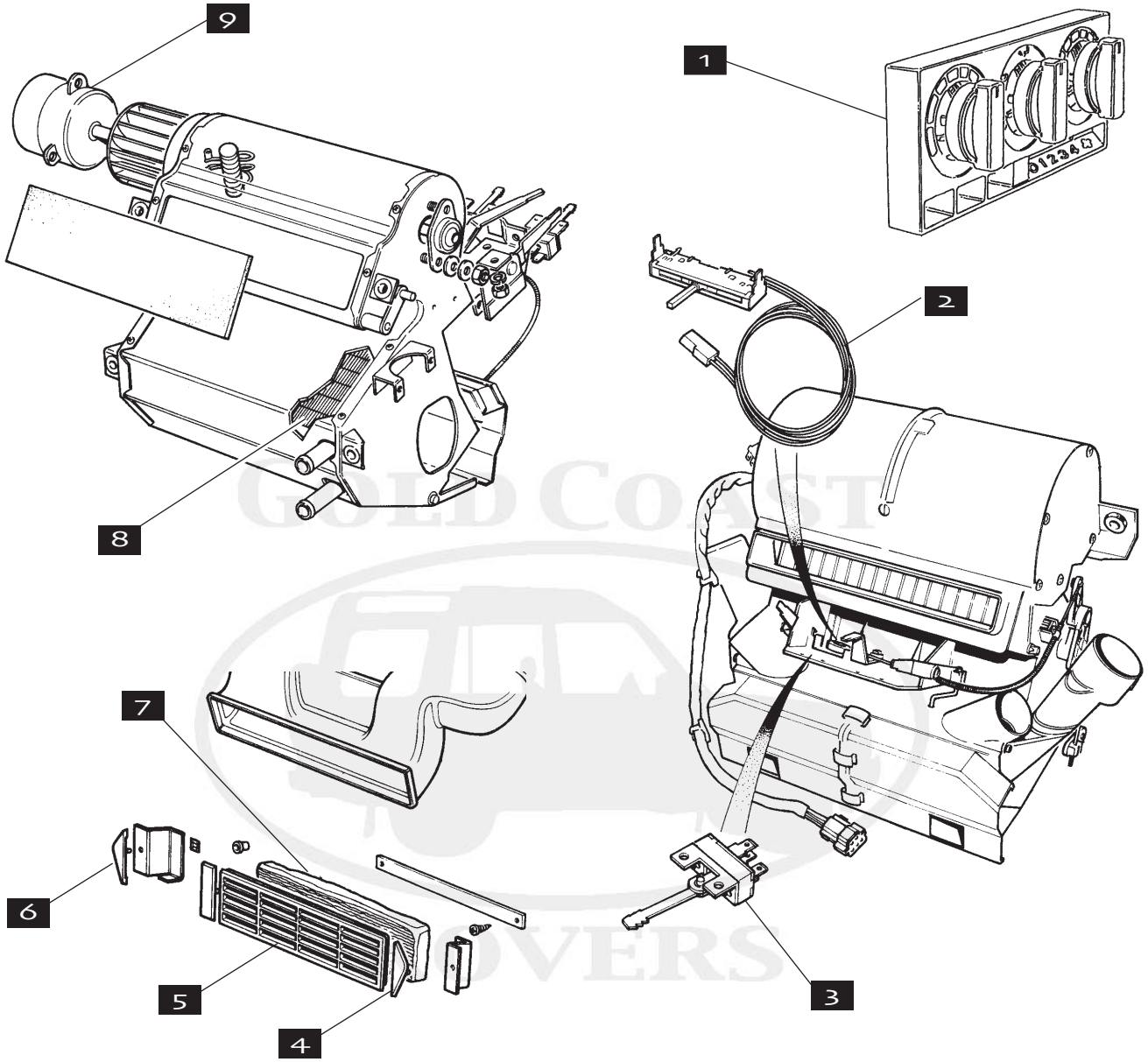




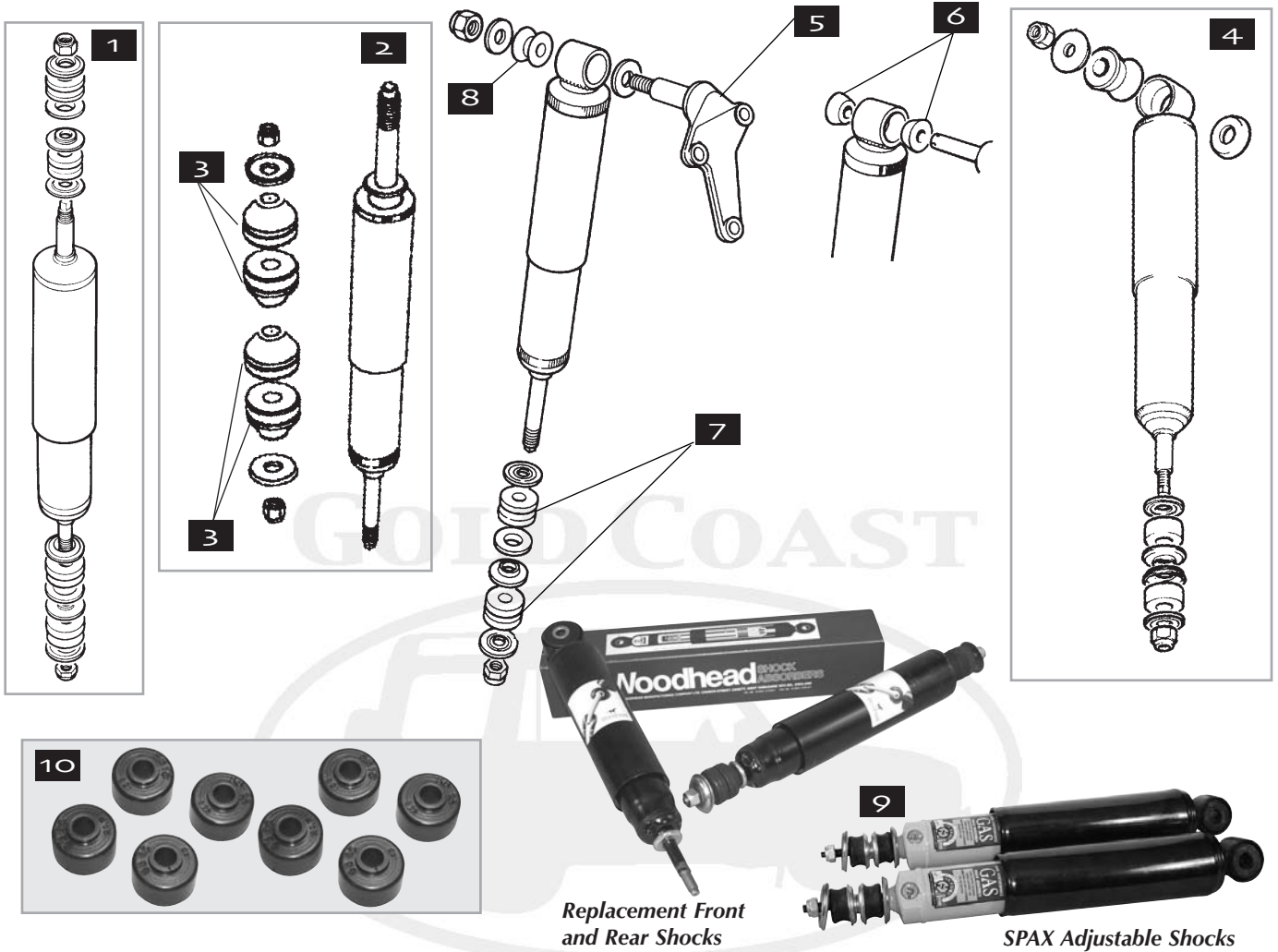
Description	Order Number	Explanatory Notes
1. Expansion Valve	RV-AEU3067	To end of 1989
1. Expansion Valve	RV-RTC6143	1990-1994
2. Hose, Evaporator to Compressor	RV-AEU3054	To end of 1988
2. Hose, Evaporator to Compressor	RV-MXC5308	1989-1992
2. Hose, Compressor to Evaporator	RV-BTR2579	1990-1994, with Service Valve, OEM
2. Hose, Compressor to Evaporator	RV-BTR2579*	1990-1994, w/o Service Valve, Aftermarket
3. Hose, Drier to Evaporator	RV-AEU3044	To end of 1988
3. Hose, Evaporator to Drier Coupler	RV-MXC2491	1989-1994
4. Resistor, 5-pin, for A/C Blower	RV-PRC8010	1990-1995 from VIN LA399973
5. Hose, Evaporator to Compressor	RV-BTR4041	1995
6. Hose, Compressor to Condenser	RV-BTR4045	1995

\* Denotes Aftermarket Part

HEATER, RANGE ROVER CLASSIC



Description	Order Number	Explanatory Notes	Qty
1. Heater Assembly Cover Plate with Graphics	RV-BTR6495		1
2. Potentiometer (A/C Resistor)	RV-MXC5705	To VIN NA617613 (1992)	1
2. Potentiometer (A/C Resistor)	RV-BTR3721	From VIN NA617614 (1992-1995)	1
3. Blower Switch, 4-Position	RV-PRC5436	1987-1995	1
4. End Cap, RH	RV-390608	1993-1995	1
5. Air Intake Grille	RV-390607	1987-1995	3
6. End Cap, LH	RV-390609	1993-1995	1
7. A/C Heater Filter Pad	RV-MXC3910	1987-1995	3
8. Heater Core/Matrix	RV-606923	To JA344071 (mid 1988)	1
8. Heater Core/Matrix	RV-RTC6593	From JA344072 thru end of 1992	1
8. Heater Core/Matrix	RV-STC250	1993-1995	1
9. Blower Motor Assembly	RV-RTC6693		1



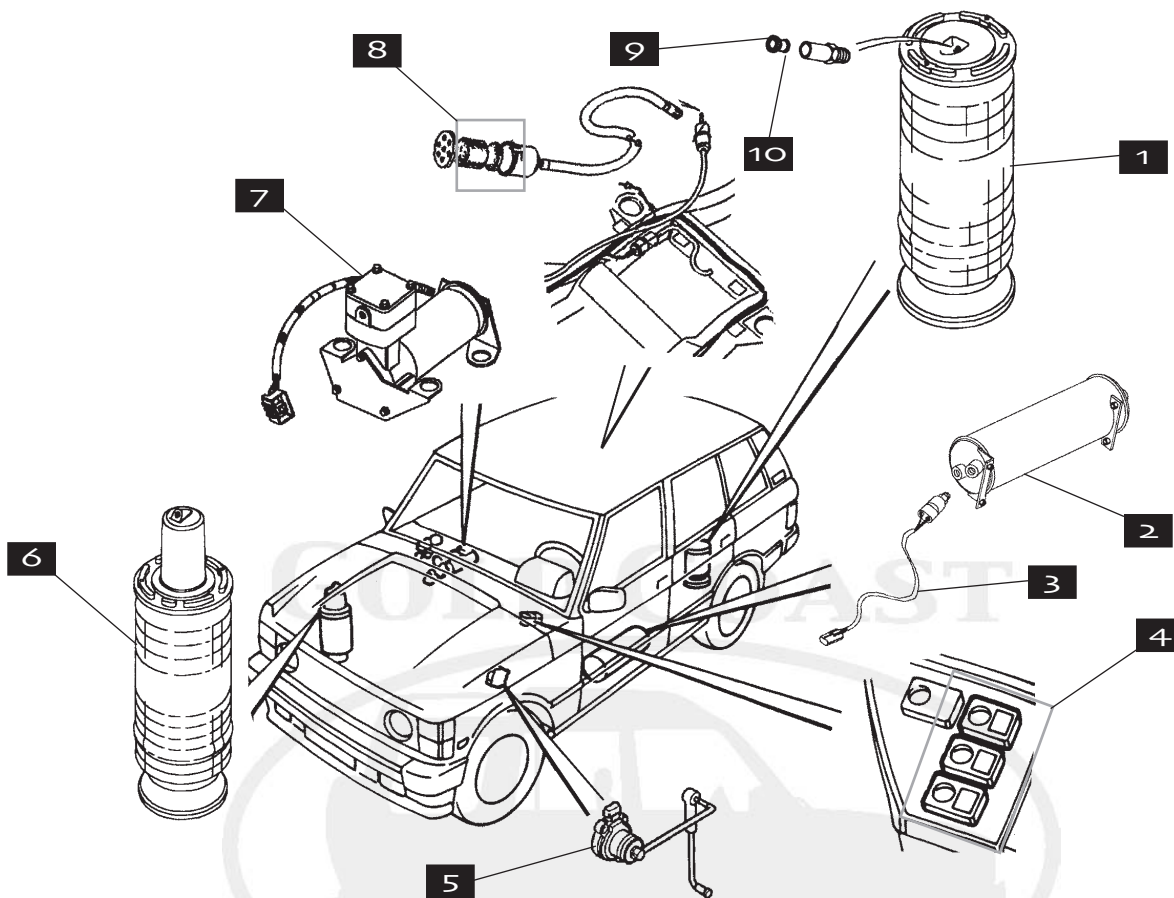
Replacement Front and Rear Shocks

SPAX Adjustable Shocks

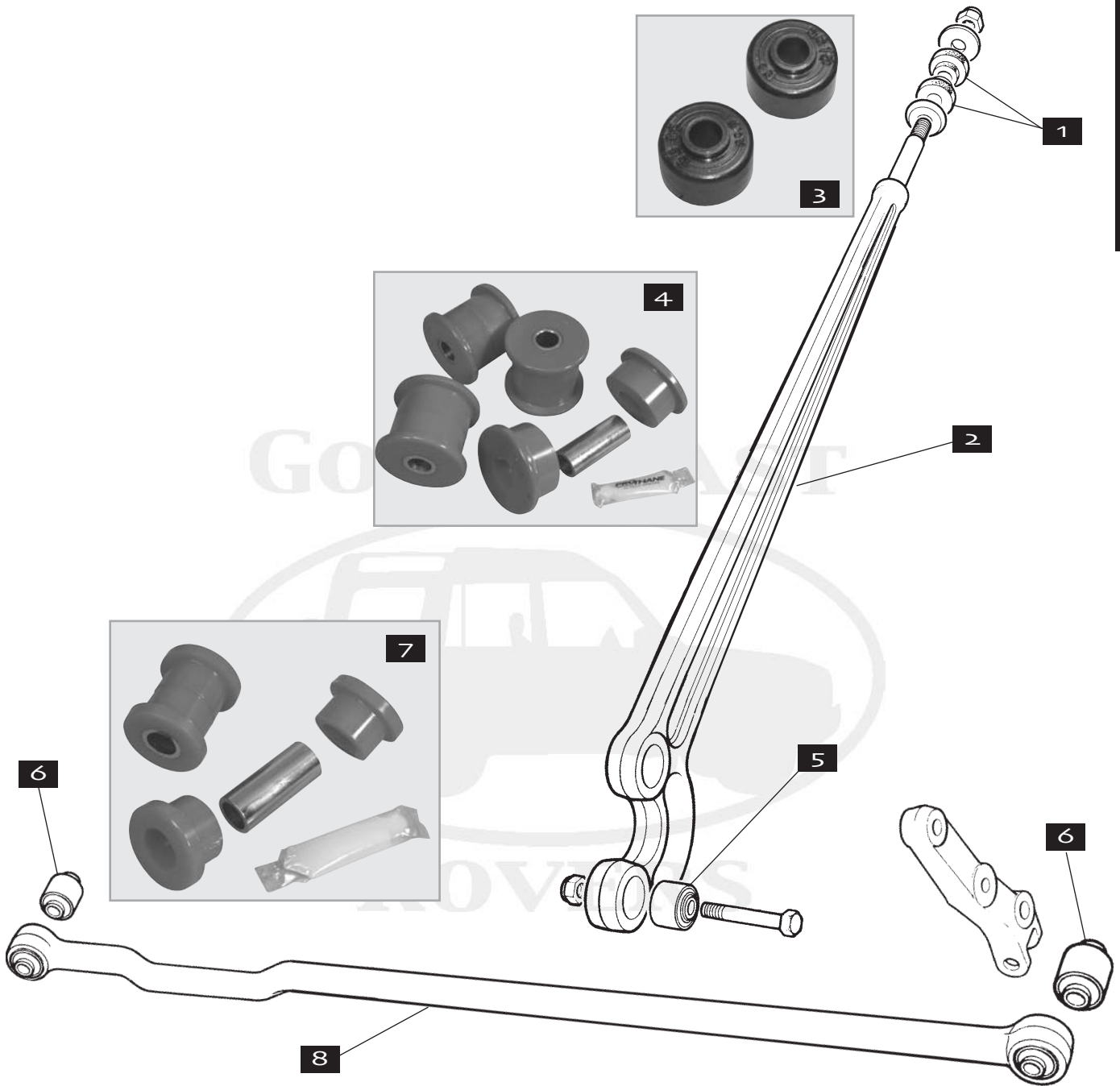
Notice: All shock absorbers are and sold INDIVIDUALLY and are supplied with new bushings and threaded fasteners

Description	Order Number	Explanatory Notes	Qty
1. Front Shock	RV-STC2829	All with no anti-roll bar; or with anti-roll bar, PA640178-on	2
1. Front Shock	RV-STC207	with anti-roll bar, to PA640177	2
2. Front Shock	RV-STC2830	1993-on, with air suspension	2
3. Shock Bushing	RV-RNF100090L	Front or Rear, with air suspension	8
4. Rear Shock	RV-STC3941	No anti-roll bar, to LA417084	2
4. Rear Shock	RV-STC3939	No anti-roll bar, LA417085 to MA471543	2
4. Rear Shock	RV-STC208	With anti-roll bar, to PA640177	2
4. Rear Shock	RV-STC3939	With anti-roll bar, PA640178-on	2
4. Rear Shock	RV-STC2831	Without anti-roll bar, from MA471544	2
4. Rear Shock	RV-STC2831	1993-on with air suspension	2
5. Shock Mounting Bracket, Rear	RV-NRC7981		2
6. Shock Bushing	RV-552819	Cone type, without anti-roll bar	4
7. Shock Bushing	RV-552818	Flat Style	4
8. Shock Bushing	RV-NRC5593	Cone Type, shocks with anti-roll bar, upper on rear air suspension shocks	2
9. SPAX Shock, Rear	RV-G625	Adjustable Performance Shock w/o Air Suspension	2
9. SPAX Shock, Front	RV-G626	Adjustable Performance Shock w/o Air Suspension	2
10. Polyurethane Shock Bushings	RV-6003	Flat style	Kit of 8

SUSPENSION, RANGE ROVER CLASSIC

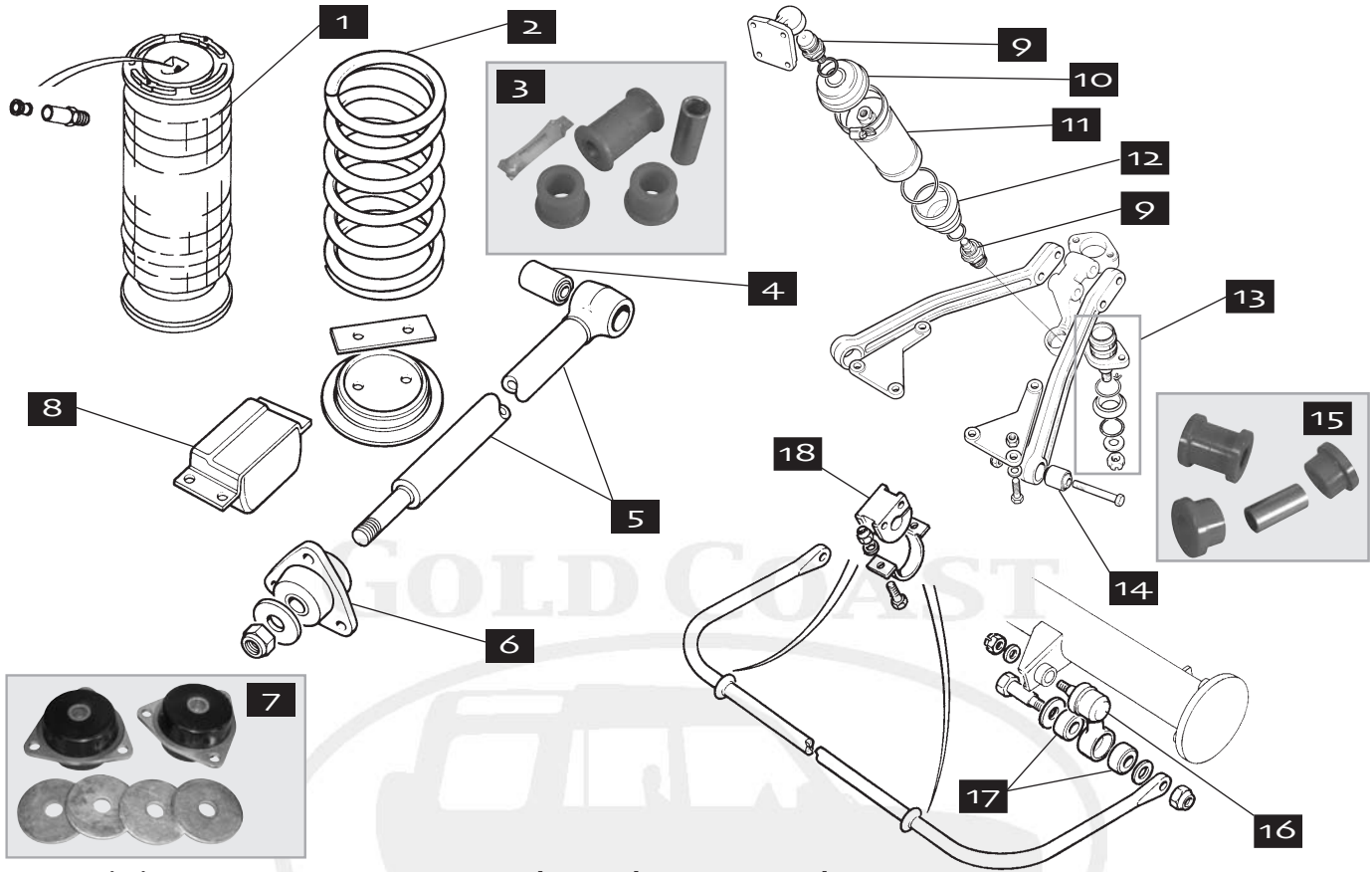


Description	Order Number	Explanatory Notes	Qty
1. Rear Air Spring Assembly	RV-NTC9820		1
1. Replacement Air Spring, Rear	RV-5502	Bellows only; other components must be re-used.	1
2. Reservoir, air suspension	RV-NTC9825		1
3. Switch in Reservoir	RV-NTC9826		1
4. Air Suspension Control Switch, Raise	RV-AMR3290	Through 1994	1
4. Air Suspension Control Switch, Raise	RV-AMR1777	1995 (VIN SA)	1
4. Air Suspension Control Switch, Inhibit	RV-AMR3291	Through 1994	1
4. Air Suspension Control Switch, Inhibit	RV-AMR1776	1995 (VIN SA)	1
4. Air Suspension Control Switch, Lower	RV-AMR3292	Through 1994	1
4. Air Suspension Control Switch, Lower	RV-AMR1778	1995 (VIN SA)	1
5. Sensor Assembly, ride height, front, RH	RV-STC3733AA		1
5. Sensor Assembly, ride height, front, LH	RV-STC3734AA		1
5. Sensor Assembly, ride height, rear, RH	RV-STC3735AA		2
5. Sensor Assembly, ride height, rear, LH	RV-STC3736AA		2
6. Front Air Spring Assembly	RV-NTC9819		1
6. Replacement Air Spring, Front	RV-5500	Bellows only; other components must be re-used.	1
7. Compressor, Air Shocks	RV-ANR4353		1
8. Filter, air inlet	RV-STC970	Filter only	1
9. Collet, Air Pipe Connector, 4mm	RV-NTC9824	Air Pipe Connections	1
9. Collet, Air Pipe Connector, 6mm	RV-NTC9823	Air Pipe Connections	1
9. Collet, Air Pipe Connector, 8mm	RV-NTC9822	Air Pipe Connections	1
10. O-Ring, 4mm	RV-STC2764	Air Pipe Connections	1
10. O-Ring, 6mm	RV-STC2766	Air Pipe Connections	1
10. O-Ring, 8mm	RV-STC2768	Air Pipe Connections	1

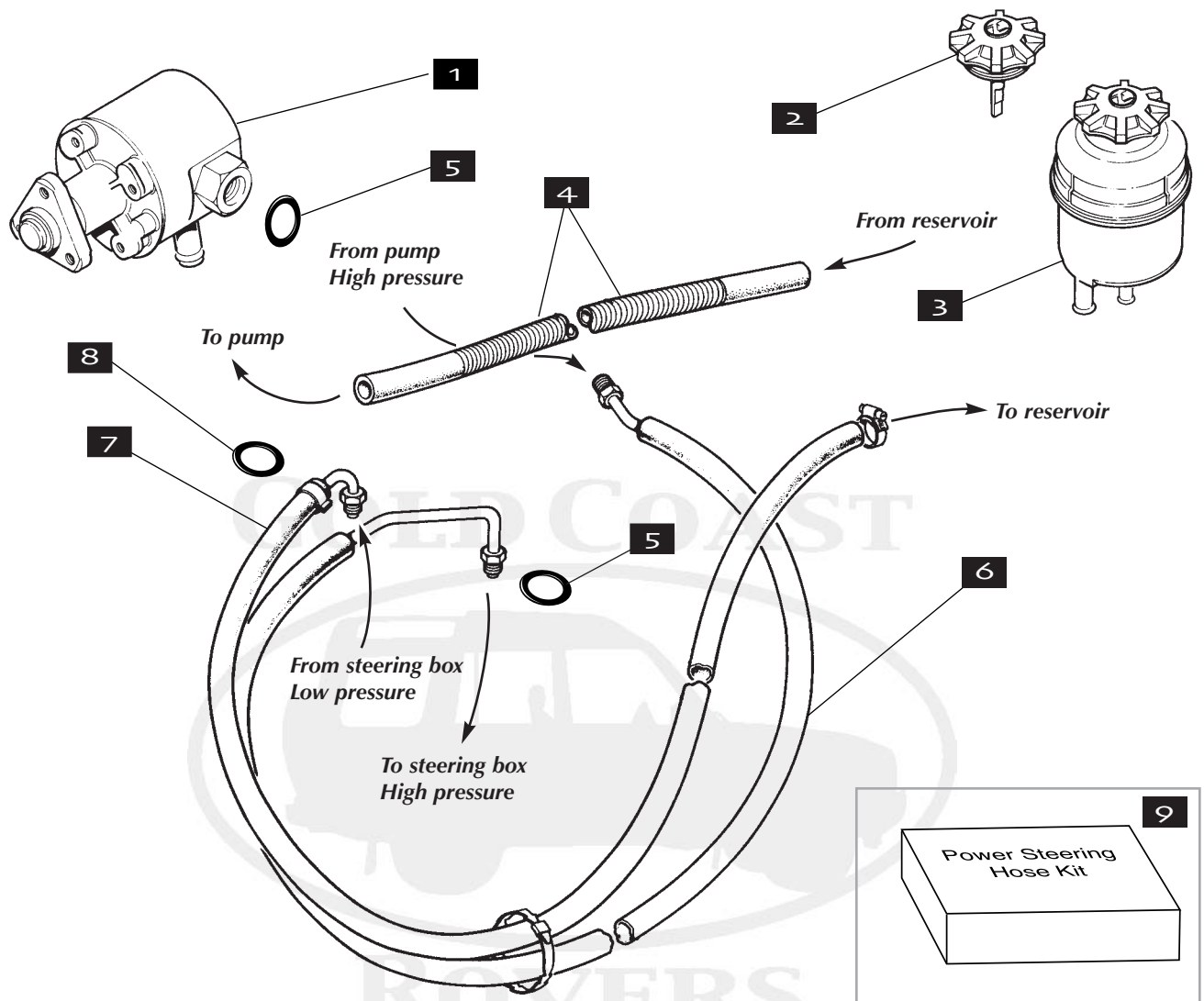


Description	Order Number	Explanatory Notes	Qty
1. Radius Arm Bushing, Chassis End	RV-NRC4514		4
2. Radius Arm Assembly	RV-NTC2694	No anti-roll bar, non air suspension	1
2. Radius Arm Assembly	RV-NTC7331	With anti-roll bar, non air suspension	1
2. Radius Arm Assembly	RV-ANR3480	With air suspension	1
3. Radius Arm Bushing Kit, Polyurethane	RV-6001	Chassis end	1
4. Radius Arm Bushing Kit, Polyurethane	RV-6002	Differential end	1
5. Radius Arm Bushing	RV-NTC6860	Axle end, to LA65443	4
5. Radius Arm Bushing	RV-NTC6781	Axle end, LA464554-RA645531	1
5. Radius Arm Bushing	RV-NTC6860	Axle end, RA645532-on	1
6. Bushing, Panhard Rod	RV-ANR3410		2
7. Polyurethane Bushing Kit, Panhard Rod	RV-6000		1
8. Complete Panhard Rod (w/ bushes)	RV-RBI100000		1

REAR SUSPENSION, RANGE ROVER CLASSIC

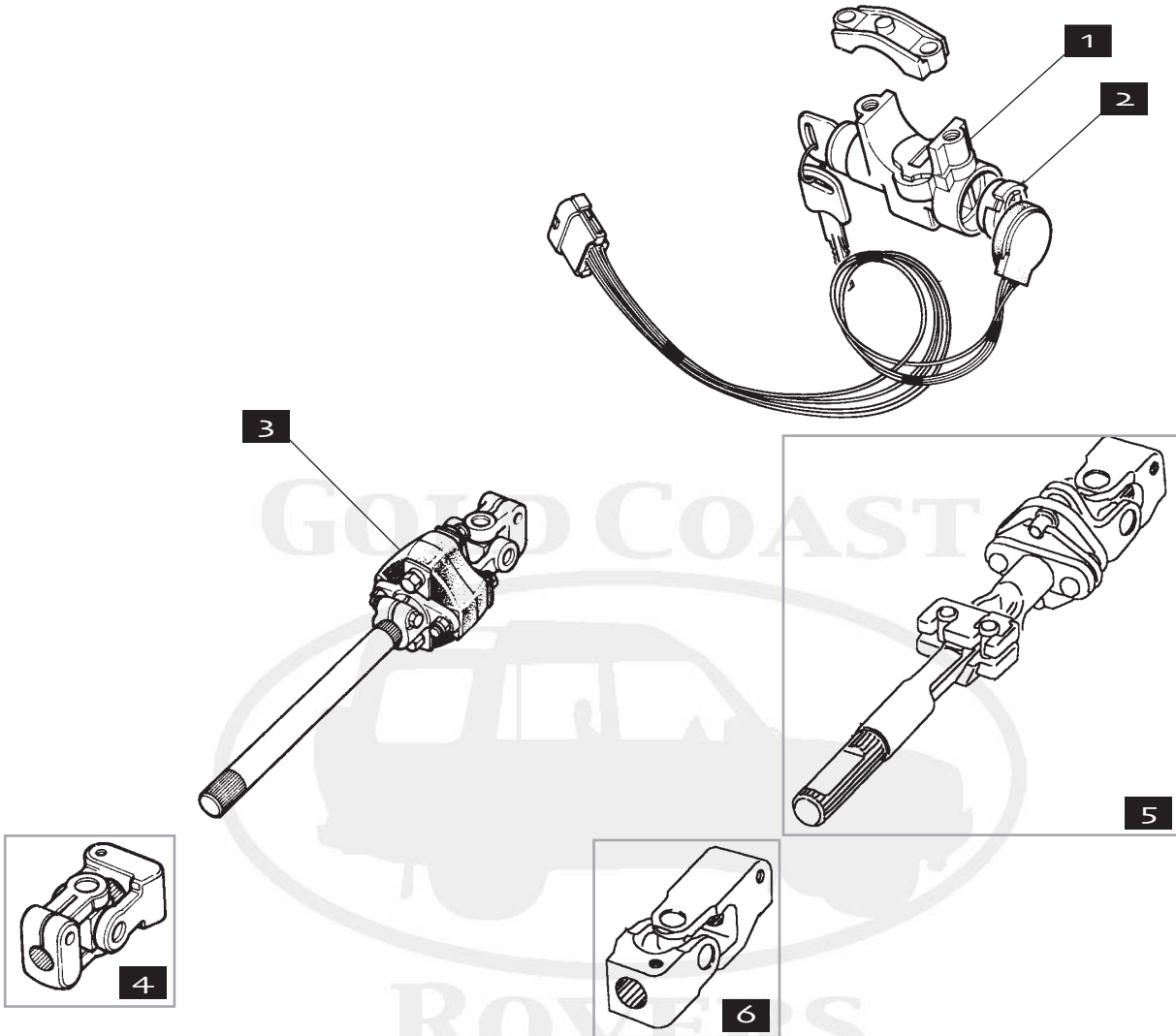


Description	Order Number	Explanatory Notes	Qty
1. Air Spring, rear, with air suspension	RV-NTC9820		2
1. Replacement Air Spring, Rear	RV-5502	Bellows only; other components must be re-used.	1
2. Rear Coil Spring, RH	RV-NRC8113	Pink/purple stripe, thru 1990	1
2. Rear Coil Spring, RH	RV-NRC2119	Green stripe, 1991-1994	1
2. Rear Coil Spring, RH	RV-ANR3520	1995	1
2. Rear Coil Spring, LH	RV-NTC3285	Green/pink stripe, thru 1990	1
2. Rear Coil Spring, LH	RV-NRC4305	Red/yellow stripe, 1991-1994	1
2. Rear Coil Spring, LH	RV-ANR3519	1995	1
3. Bushing, Bottom Link, Polyurethane Kit	RV-6008		1
4. Bushing, Bottom Link	RV-NTC1772		2
5. Lower Link Assembly	RV-NTC8328		2
6. Mount Bushings for Trailing Link, OE Style	RV-STC618	To NA618112	2
6. Mount Bushings for Trailing Link, OE Style	RV-NTC9027	From NA618113	1
7. Mount Bushing Kit, Polyurethane	RV-6006	Early, 16mm center hole	1
7. Mount Bushing Kit, Polyurethane	RV-6007	Late, 20mm center hole	1
8. Bump Stop	RV-ANR4189	Without Air Suspension	1
8. Bump Stop	RV-NTC6086	With Air Suspension	1
9. Ball Joint, Rear	RV-575882*	On top and bottom of self-leveling unit	2
10. Gaiter/Boot/Bellows only on self leveling unit	RV-90575877	Upper	1
11. Self Leveling Unit	RV-NRC4163		1
12. Gaiter/Boot/Bellows only on self leveling unit	RV-NRC6561	Lower	1
13. Upper Ball Joint, rear suspension A-Frame	RV-ANR1799*		1
14. Upper A-Frame Pivot Bushings	RV-NTC1773		2
15. Upper A-Frame Pivot Bushings, Polyurethane Kit	RV-6005		1
16. Ball Joint, Sway Bar	RV-NTC1888		1
17. End Bushing, Anti-roll bar	RV-552819		1
18. Mount Bushing, Rear Anti-Roll Bar	RV-NTC7394		1



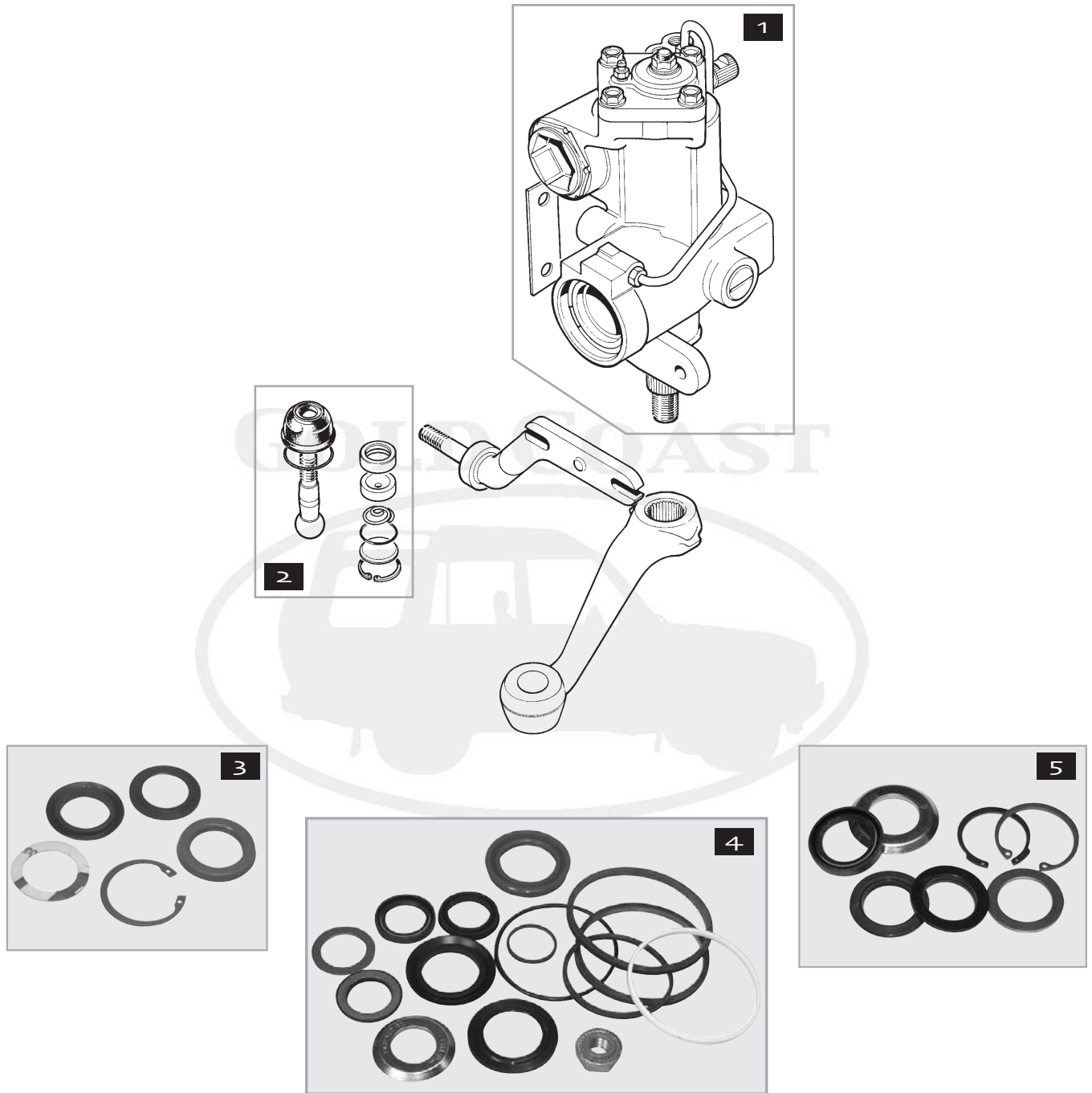
Description	Order Number	Explanatory Notes	Qty
1. Power Steering Pump	RV-ANR2003		1
2. Cap, Steering Reservoir	RV-NTC2723		1
3. Power Steering Reservoir Assembly	RV-QFX000030		1
4. Hose, Reservoir to pump	RV-NTC4245	All, 1987-1995	1
5. O-Ring, Discharge adapter on pump	RV-RTC6074	Small	1
5. O-Ring, Discharge adapter on pump	RV-RTC6075	Large	1
5. O-Ring	RV-RTC4826	for NTC8588, RTC8590, ANR6656 & NTC6790	A/R
6. Hose, Pump to box	RV-NTC6790	1987-1992 without air suspension	1
6. Hose, Pump to box, pump end	RV-NTC8588	With Air Suspension, through 1994	1
6. Hose, Pump to box, box end	RV-NTC8590	With Air Suspension, through 1994	1
6. Hose, Pump to box	RV-ANR6656	With Air Suspension, 1995 only	1
7. Hose, Box to reservoir	RV-NTC8862	To NA610839 (in 1992 model year)	1
7. Hose, Box to reservoir	RV-NTC9429	From NA610840 to end of 1994	1
7. Hose, Box to reservoir	RV-QEH102370	1995 only (pipe makes double "S" bend)	1
8. O-ring for above hoses	RV-RTC4825		A/R
9. Power steering hose kit	RV-6500	Up to 1992, three-piece kit	A/R
9. Power steering hose kit	RV-6502	1993 & 1994, four-piece kit	A/R
9. Power steering hose kit	RV-6504	1995 only, three-piece kit	A/R

STEERING COLUMN, RANGE ROVER CLASSIC



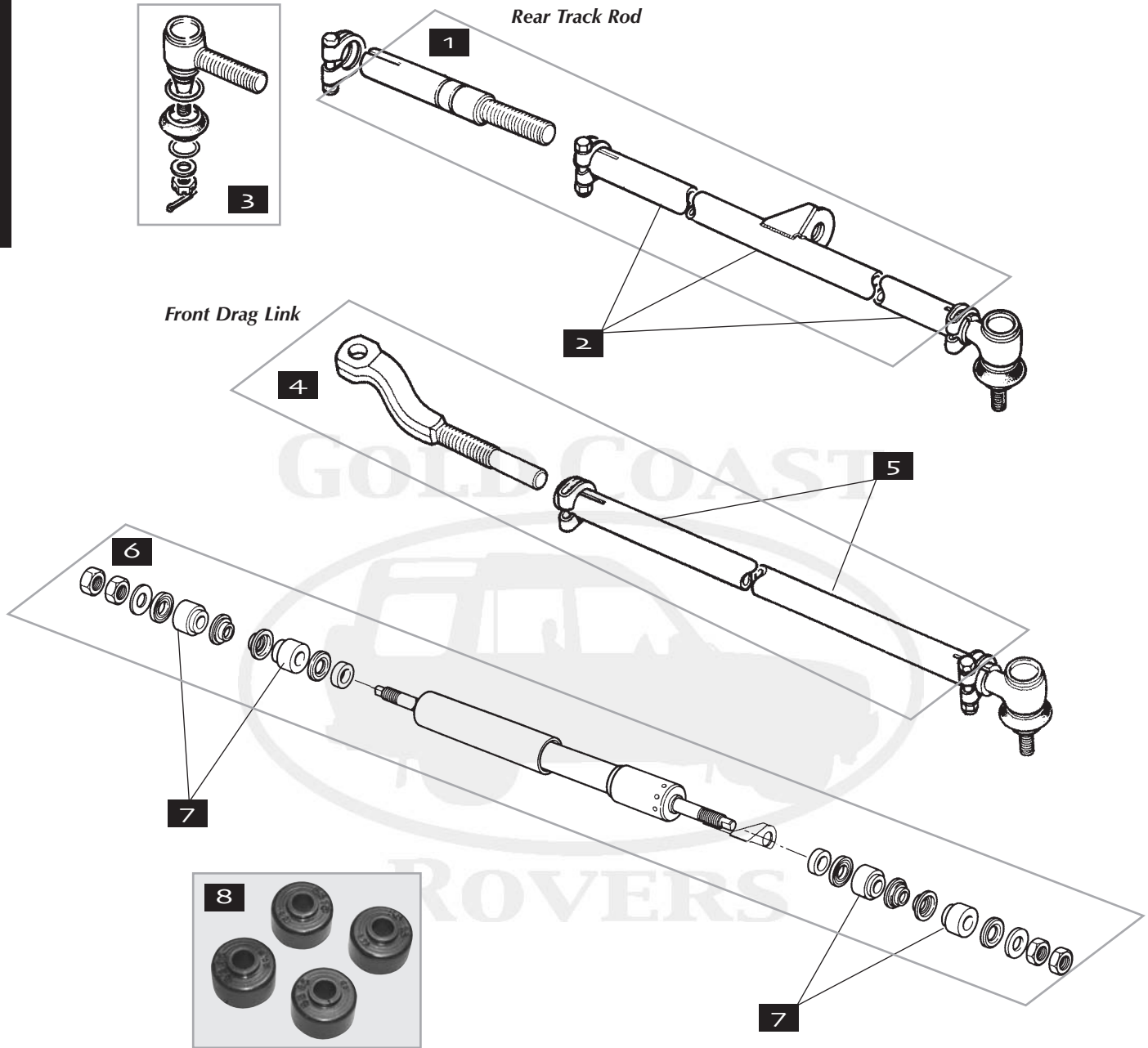
Description	Order Number	Explanatory Notes	Qty
1. Steering Column Lock	RV-PRC5712	1986-1992, without interlock	1
1. Steering Column Lock	RV-NTC9440	1987-1992	1
1. Steering Column Lock	RV-NTC9588	1993 & 1994	1
1. Steering Column Lock	RV-STC1436	1995	1
2. Ignition Switch	RV-PRC3408	1987-1992	1
2. Ignition Switch	RV-STC932	1993 & 1994	1
2. Ignition Switch	RV-STC1746	1995	1
<b>Note: The early type shaft with the rubber coupler is no longer available as an assembly and supersedes to the later assembly. However, the two individual components, below (RV-NTC3486 &amp; RV-NRC7704) are still available separately.</b>			
3. Rubber Coupler	RV-NTC3486	To MA601606	1
4. Lower U-Joint	RV-NRC7704	To MA601606	1
5. Shaft Assembly, Later Type	RV-NTC8478	From MA601607 to end of 1994	1
5. Shaft Assembly, 1995	RV-ANR3171		1
6. Lower U-Joint Only	RV-STC2800	For NTC8478 and ANR3171	1



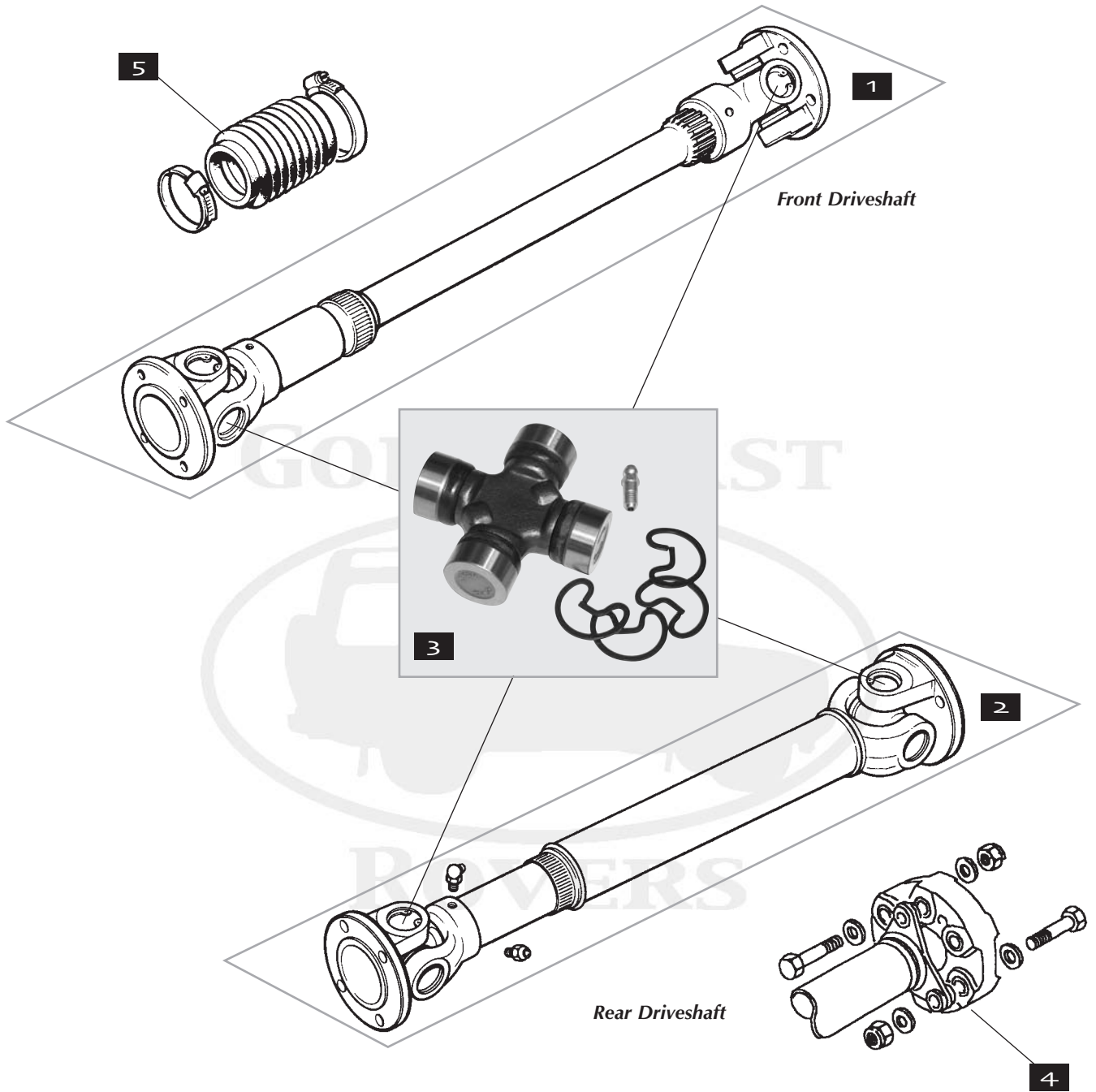


Description	Order Number	Explanatory Notes
1. Steering Box, New	RV-QAF000040	
1. Steering Box, Rebuilt	RV-58296	W/O air bags, does not have flat spot on splined shaft
1. Steering Box, Rebuilt	RV-58297	With air bags, has flat spot on splined shaft
2. Ball Joint/Rod End on Steering Box Arm	RV-STC3295	1987-1992
2. Ball Joint/Rod End on Steering Box Arm	RV-RTC5870	1993-1995
3. Output Shaft Kit	RV-STC2848	All three kits required for complete rebuild
4. Overhaul Kit	RV-STC2847	All three kits required for complete rebuild
5. Input Shaft Kit	RV-STC889	All three kits required for complete rebuild

STEERING LINKAGE, RANGE ROVER CLASSIC



Description	Order Number	Explanatory Notes	Qty
1. Front Drag Link Assembly	RV-NRC3226	To NA611503	1
1. Front Drag Link Assembly	RV-NTC9607	From NA611504 thru 1995	1
2. Front Drag Tube Only	RV-NRC1824	1987-1992	1
2. Front Drag Tube Only	RV-NTC8390	1993-on	1
3. Tie Rod End, RH Thread	RV-RTC5869/X	1987-1992	3
3. Tie Rod End, RH Thread	RV-RTC5869/X	1993-1995	2
3. Tie Rod End, LH Thread	RV-RTC5870	All	1
4. Rear Track Rod Assembly	RV-RTC1799		1
5. Rear Track Rod Tube Only	RV-NRC145		1
6. Steering Damper Assembly	RV-STC786		1
6. Steering Damper Assembly	RV-OMESD11	Heavy Duty, Old Man Emu	A/R
7. Bushings, Rubber, Damper	RV-568858		4
8. Bushings, Polyurethane, Damper	RV-6004	Vehicle Set	1

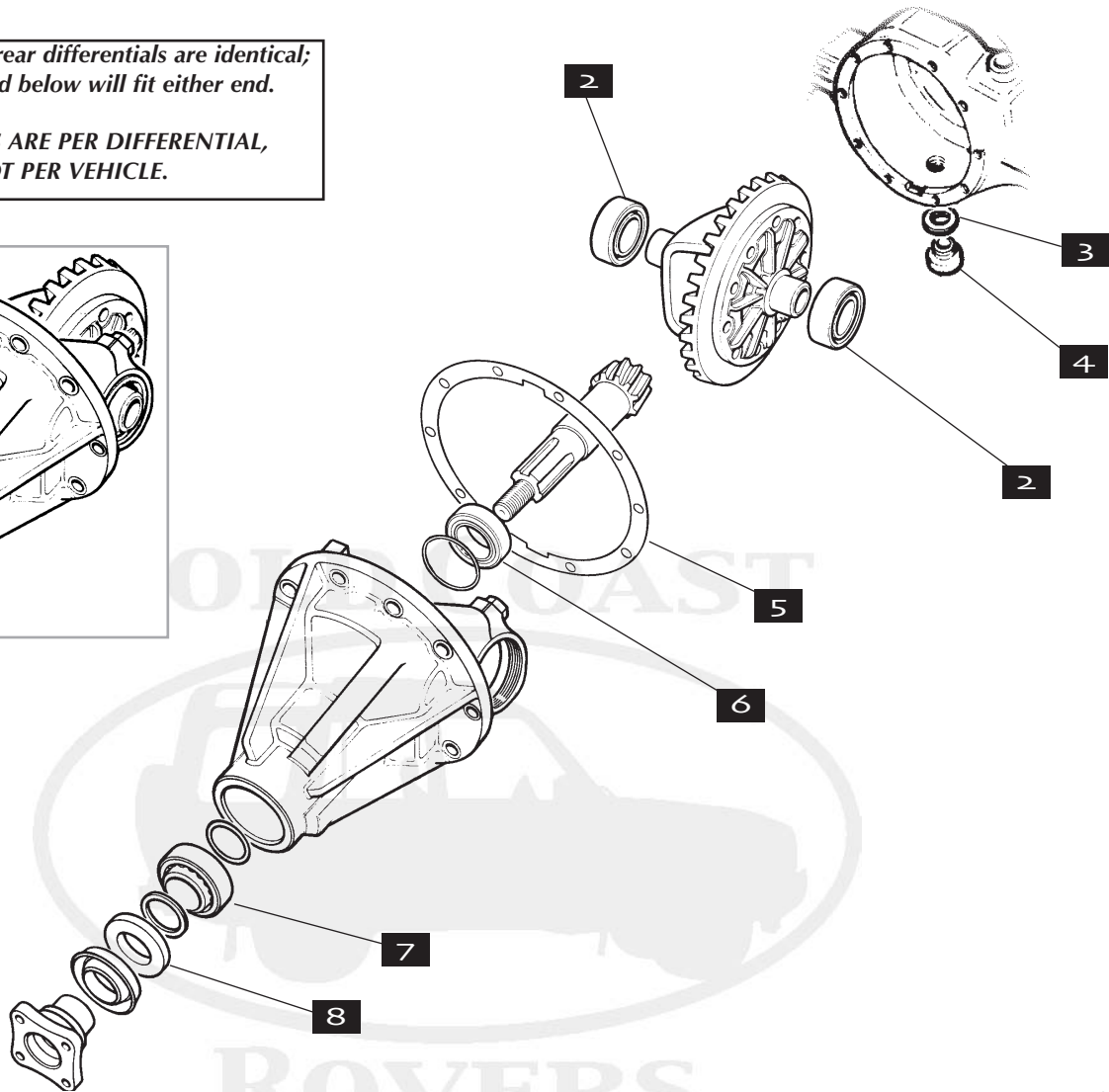
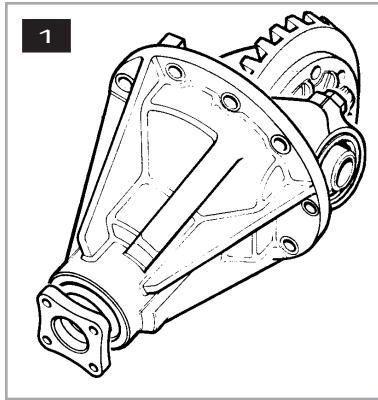


Description	Order Number	Explanatory Notes	Qty
1. Front Driveshaft Assembly	RV-FRC8641	3.5 Liter Only	1
1. Front Driveshaft Assembly	RV-FRC9542	3.9 and 4.2	1
2. Rear Driveshaft Assembly	RV-FRC8387	SWB (100") through 1994	1
2. Rear Driveshaft Assembly	RV-TVB000150	SWB (100"), 1995 only	1
2. Rear Driveshaft Assembly	RV-FRC8389	LWB, through 1994	1
2. Rear Driveshaft Assembly	RV-FTC3910	LWB, 1995 only	1
3. U-Joint Assembly	JA-46	Front Driveshaft, all. Rear Driveshaft, all SWB and 1995-only LWB	4
3. U-Joint, Rear Driveshaft	RV-RTC3458*	LWB through 1994	2
4. Rubber Coupler, Rear Driveshaft	RV-TVF100010	1995 only, Original Equipment	1
4. Rubber Coupler, Rear Driveshaft	RV-TVF100010/X	1995 only, Aftermarket	1
5. Gaiter/Boot, front drive shaft	RV-276483		1

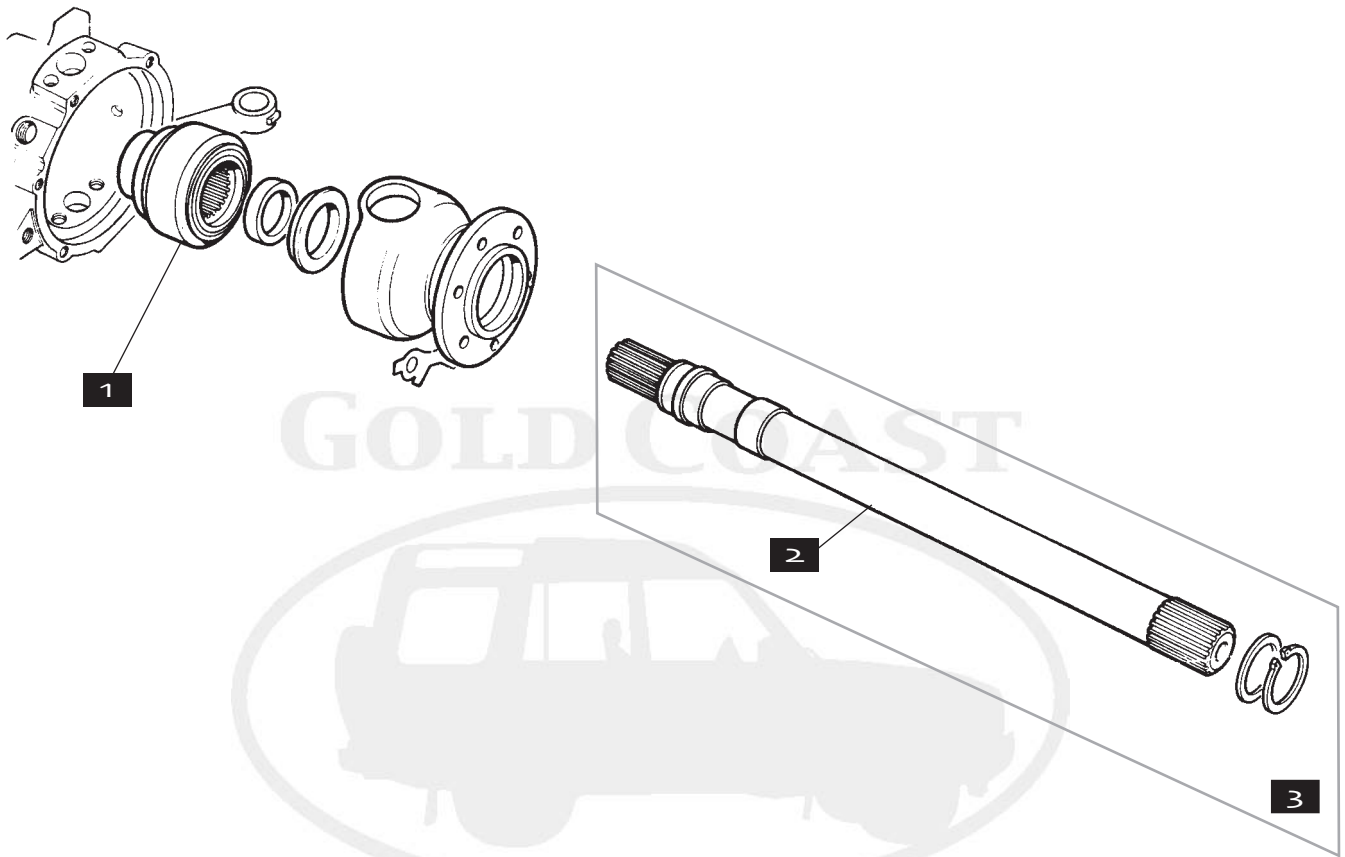
\* Denotes Aftermarket Part

Note: Front and rear differentials are identical; the parts listed below will fit either end.

QUANTITIES ARE PER DIFFERENTIAL, NOT PER VEHICLE.

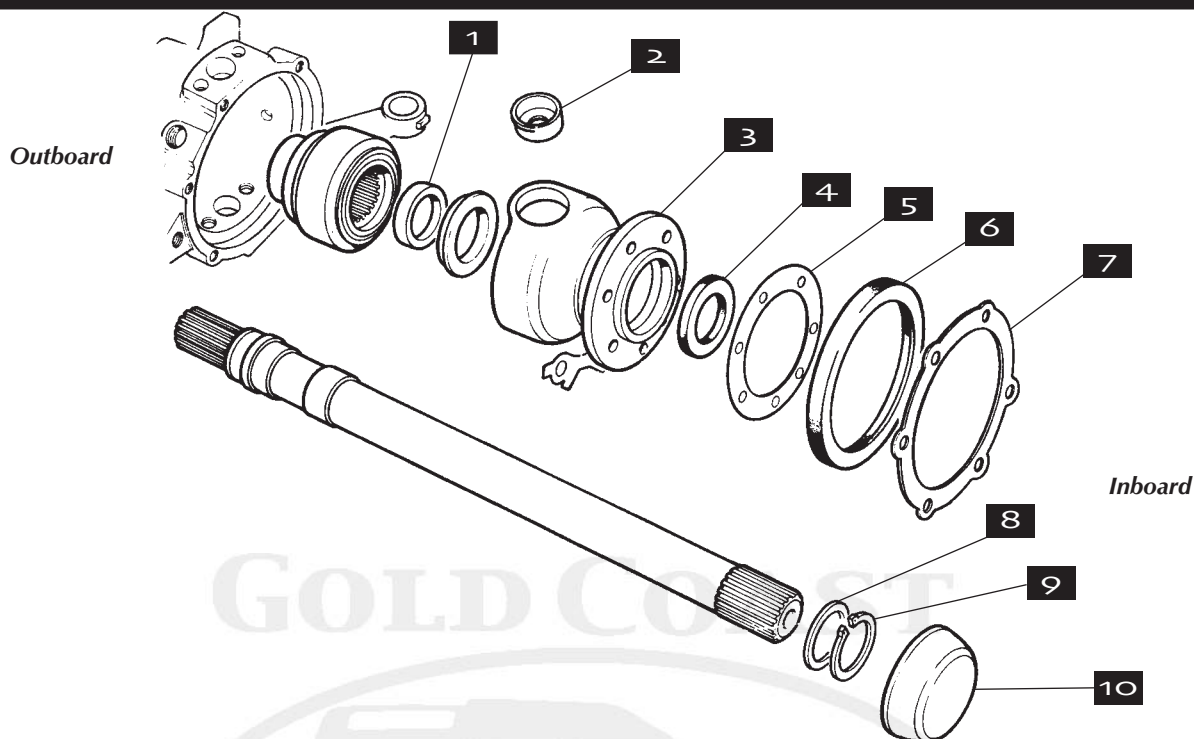


Description	Order Number	Explanatory Notes	Qty/Diff.
<b>For Ten-Spline Axles; used in front to axle numbers 49L11363C/57L05188 and rear up to VIN PA637567 (during 1993 MY)</b>			
1. Differential Assembly, Front or Rear, New	RV-FTC2750		A/R
1. Differential Assembly, Front or Rear, Rebuilt	RV-FTC2750/RB		A/R
<b>For 24-Spline Axles; from axle numbers 49L11364C/57L05189B</b>			
1. Differential Assembly, Front, New	RV-FTC5142		A/R
1. Differential Assembly, Front, Rebuilt	RV-FTC5142/RB		A/R
<b>For 24-Spline Axles; From PA63337568 to RA647644</b>			
1. Differential Assembly, Rear, New	RV-FTC5142		A/R
1. Differential Assembly, Rear, Rebuilt	RV-FTC5142/RB		A/R
<b>For 24-Spline Axles; 1995</b>			
1. Differential Assembly, Rear, New	RV-FTC5143		A/R
1. Differential Assembly, Rear, Rebuilt	RV-FTC5143/RB		A/R
2. Differential Side Bearing	RV-RTC2726	To 49L11363C and 57L05188B	2
2. Differential Side Bearing	RV-RTC3095	From 49L11364C and 57L05189B	2
3. Washer on Drain Plug	RV-515599		1
4. Drain Plug	RV-608246		1
5. Gasket, Housing to Axle	RV-7316		1
6. Pinion Bearing, rear	RV-539706		1
7. Pinion Bearing, front	RV-539707		1
8. Oil Seal, Pinion	RV-FRC8220		1



Description	Order Number	Explanatory Notes
1. Constant-Velocity Joint	RV-606665	Non ABS, suffix "A" Axle
1. Constant-Velocity Joint	RV-RTC5843	Non ABS, suffix "B"-on
1. Constant-Velocity Joint	RV-RTC6811	With ABS, up to 49L11363C/57L05188B
1. Constant-Velocity Joint	RV-TDJ000010	With ABS, from 49L11363C/57L05189B
2. Front Halfshaft, Separate, RH	RV-606662	Non ABS, Suffix "A" Axle (Larger O/D)
2. Front Halfshaft, Separate, LH	RV-606663	Non ABS, Suffix "A" Axle
2. Front Halfshaft, Separate, RH	RV-RTC5840	Non ABS, Suffix "B" Axle (Smaller O/D)
2. Front Halfshaft, Separate, LH	RV-RTC5842	Non ABS, Suffix "B" Axle
2. Front Halfshaft, Separate, RH	RV-RTC6754	With ABS up to 49L11363C/57L05188B
2. Front Halfshaft, Separate, LH	RV-RTC6755	With ABS up to 49L11363C/57L05188B
2. Front Halfshaft, Separate, RH	RV-STC3049	With ABS from 49L11363C/57L05189B
2. Front Halfshaft, Separate, LH	RV-STC3050	With ABS from 49L11363C/57L05189B
3. Front Halfshaft Assembly	RV-571895	Through 1992, RH, no ABS, Suffix "A"
3. Front Halfshaft Assembly	RV-571896	Through 1992, LH, no ABS, Suffix "A"
3. Front Halfshaft Assembly	RV-FRC9518	Through 1992, RH, no ABS, Suffix "B"-on
3. Front Halfshaft Assembly	RV-FRC9519	Through 1992, LH, no ABS, Suffix "B"-on
3. Front Halfshaft Assembly	RV-FTC862	RH, 1993-1995, to 49L11363C & 57L05188B
3. Front Halfshaft Assembly	RV-FTC863	LH, 1993-1995, to 49L11363C & 57L05188B
3. Front Halfshaft Assembly	RV-FTC3146	RH, 1993-1995, from 49L11364C & 57L05189B
3. Front Halfshaft Assembly	RV-FTC3147	LH, 1993-1995, from 49L11364C & 57L05189B

SWIVEL PINS, RANGE ROVER CLASSIC



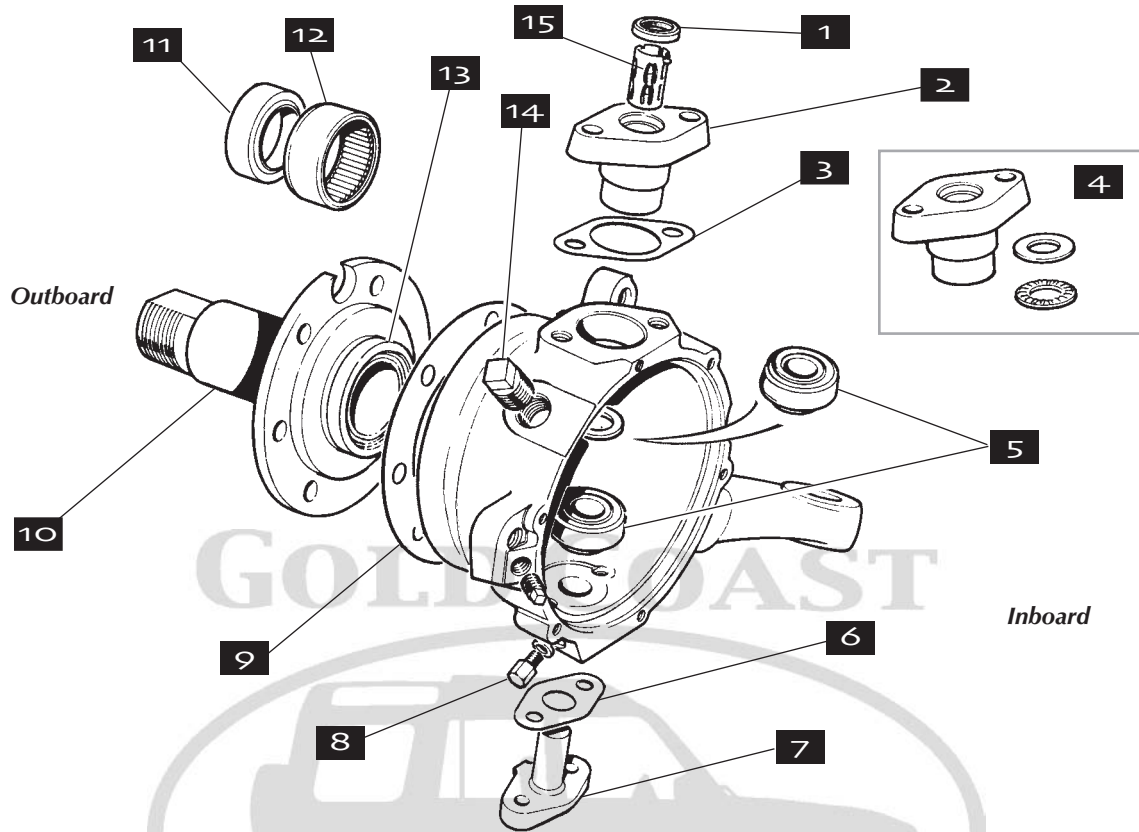
Description	Order Number	Explanatory Notes
1. Spacer	RV-RTC5841	
2. Swivel Pin Bushing, two per side	RV-FTC125	With ABS
3. Bearing Housing (Swivel Ball)	RV-FTC5105	With ABS
3. Bearing Housing (Swivel Ball)	RV-FRC7065	Without ABS
4. Oil Seal, at swivel housing	RV-571718	
5. Gasket, Bearing Housing	RV-FTC3646	
6. Seal, Swivel Pin Housing, Outer	RV-571890	12.5mm thick, without ABS
6. Seal, Swivel Pin Housing, Outer	RV-FTC3401	9mm thick, some non-ABS, all with ABS
<b>Note: For non ABS applications, either seal could have been fitted. Rover is not specific.</b>		
7. Washer	RV-571755	Without ABS
8. Shim, .450mm	RV-FRC6782	With ABS, use as required
8. Shim, .600mm	RV-FRC6783	With ABS, use as required
8. Shim, .750mm	RV-FRC6784	With ABS, use as required
8. Shim, .900mm	RV-FRC6785	With ABS, use as required
8. Shim, 1.050mm	RV-FRC6786	With ABS, use as required
8. Shim, 1.200mm	RV-FRC6787	With ABS, use as required
8. Shim, 1.350mm	RV-FRC6788	With ABS, use as required
8. Shim, 1.500mm	RV-FRC6789	With ABS, use as required
8. Shim, 1.650mm	RV-FRC6790	With ABS, use as required
9. Circlip, RR with ABS	RV-549473	With ABS
10. Hub Cap	RV-FTC5414	With ABS

Originally, Land Rover filled the swivel pins with 90-weight oil, which was prone to leaking. This special grease replaces the gear oil and is packaged in single-use containers. Use one tube per swivel on every service job.

Swivel Pin Grease

RV-STC3435

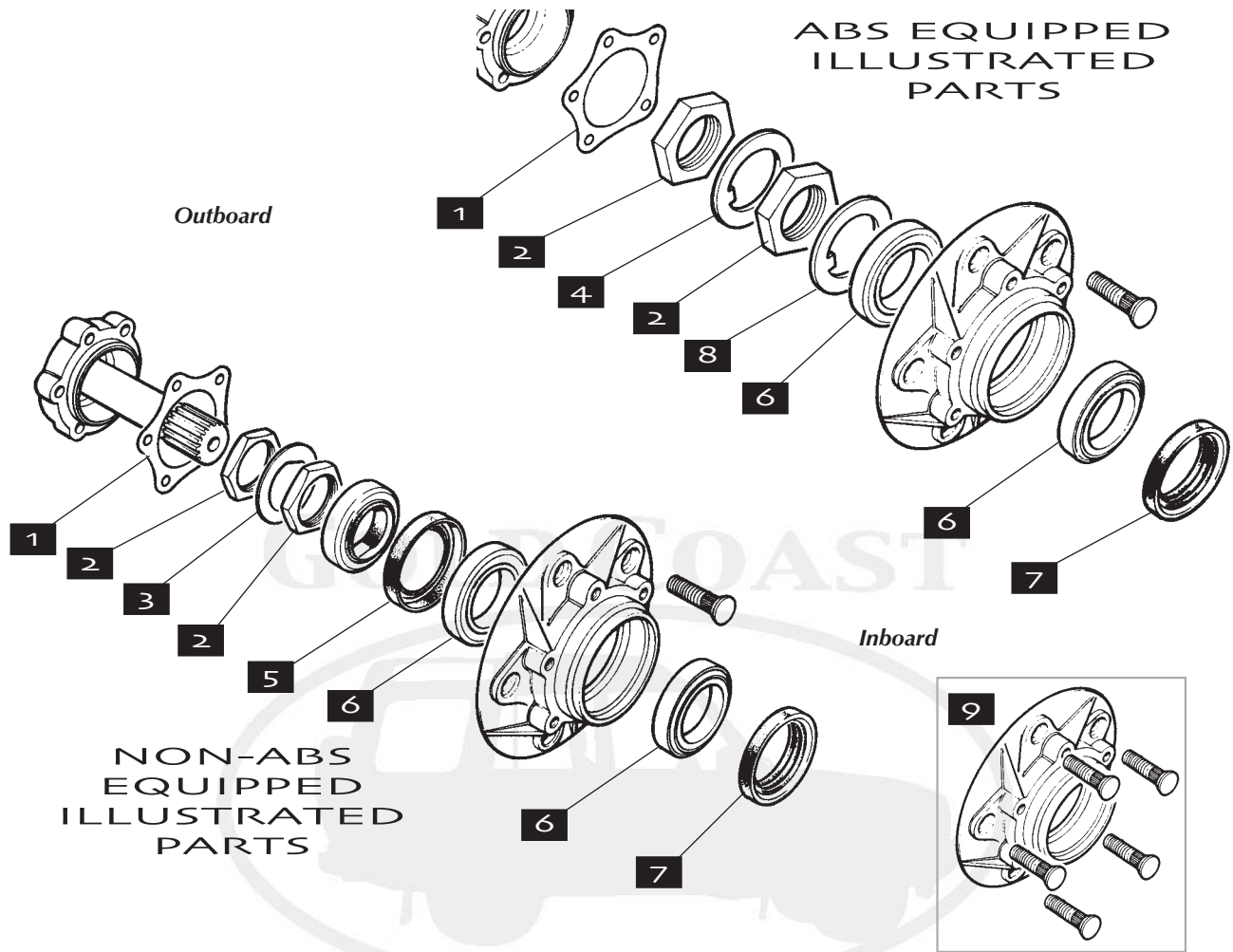




Description	Order Number	Explanatory Notes
1. Seal, Upper Swivel Pin	RV-FTC1376	With ABS
2. Upper Swivel Pin	RV-571756	Without ABS
3. Shim, Upper Swivel Pin, .003"	RV-571743	Without ABS
3. Shim, Upper Swivel Pin, .005"	RV-571744	Without ABS
3. Shim, Upper Swivel Pin, .010"	RV-571745	Without ABS
3. Shim, Upper Swivel Pin, .030"	RV-571746	Without ABS
3. Shim, Upper Swivel Pin, .003"	RV-FRC2883	With ABS
3. Shim, Upper Swivel Pin, .005"	RV-FRC2884	With ABS
3. Shim, Upper Swivel Pin, .010"	RV-FRC2885	With ABS
3. Shim, Upper Swivel Pin, .030"	RV-FRC2886	With ABS
4. Upper Swivel Pin Kit	RV-STC226	With ABS
5. Bearing Only, Upper or Lower Swivel Pin	RV-606666	Without ABS
6. Gasket, Lower Swivel Pin	RV-571815	Without ABS
6. Gasket, Lower Swivel Pin	RV-FTC3647	With ABS
7. Lower Swivel Pin	RV-571819	Without ABS
7. Lower Swivel Pin	RV-FRC2894*	With ABS
8. Drain Plug	RV-236070	
9. Gasket	RV-FTC3648	
10. Stub Axle	RV-FRC8005	Non ABS, Suffix "A" Axles, requires 571821 bushing
10. Stub Axle	RV-FTC57	Non ABS, Suffix "B" Axles
10. Stub Axle	RV-6700	With ABS, through 1992
10. Stub Axle	RV-FTC3154	With ABS, 1993-on
11. Oil Seal, stub axle, in swivel pin housing	RV-FTC840	With ABS to 57L05188B
11. Oil Seal, stub axle, in swivel pin housing	RV-FTC5268	With ABS from 57L05189B
12. Bearing, Stub Axle, in swivel pin housing	RV-FTC861	With ABS
13. Stub Axle Bushing	RV-571821	Non ABS, Suffix A Axles Only
14. Fill Plug	RV-FTC3670	
15. Bushing, ABS Sensor	RV-FTC1374	On upper swivel pin Housing

\* Denotes Aftermarket Part

FRONT HUBS, RANGE ROVER CLASSIC



Description	Order Number	Explanatory Notes
1. Hub Gasket	RV-571752	
2. Lock Nut	RV-FRC8700	
3. Key Washer	RV-FRC8002	Without ABS
4. Key Washer	RV-217352	With ABS to end of 1992
4. Key Washer	RV-FTC5241	With ABS, 1993-1995
5. Hub Seal	RV-FRC8222	Without ABS (ABS applications do not use an outer seal.)
6. Bearing	RV-RTC3429	Two per wheel
7. Inner Hub Seal	RV-FTC4785	
8. Washer	RV-217353	With ABS, through 1992
8. Washer	RV-FTC3179	1993-1995; Always replace when changing brake rotors
9. Hub Assembly, with Studs	RV-FTC1457	Without ABS
9. Hub Assembly, with Studs	RV-FTC942	With ABS

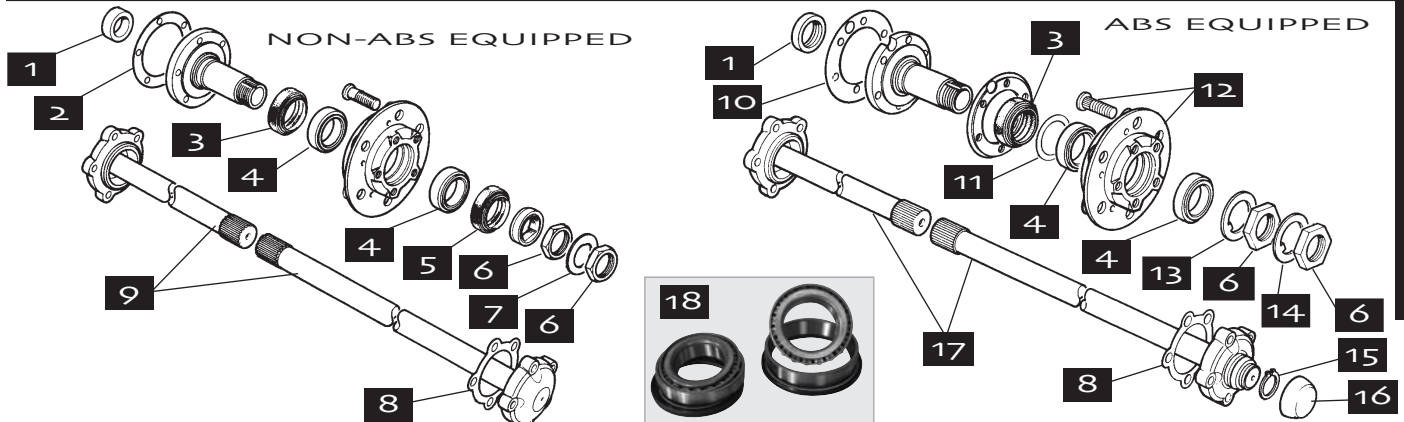


**Wheel Bearing Kit:**  
Includes two bearings and seals, each kit will service one front wheel

Description	Order Number	Explanatory Notes
Wheel Bearing Kit	RV-5000	1987-1992 Without ABS
Wheel Bearing Kit	RV-5001	1987-1992 With ABS
Wheel Bearing Kit	RV-5002	1993-1995

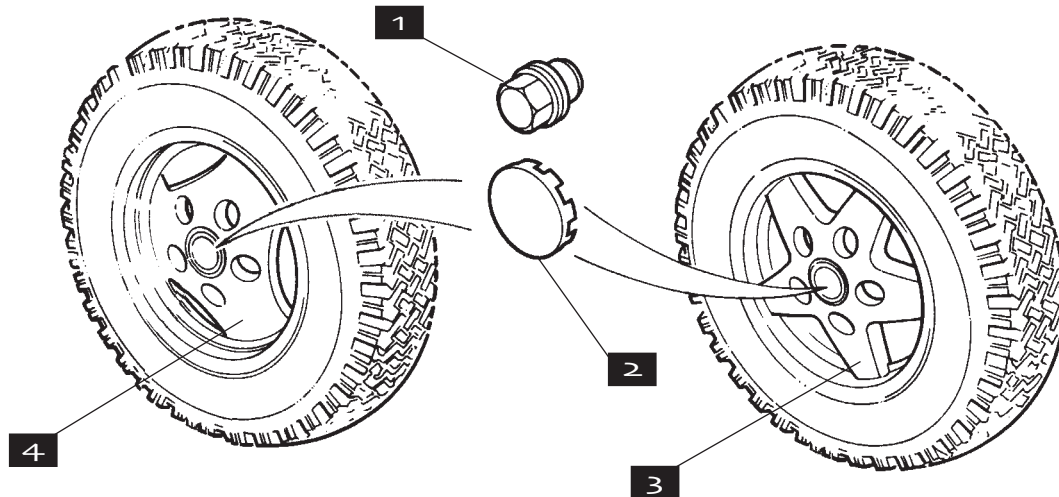


# REAR AXLE AND HUBS, RANGE ROVER CLASSIC



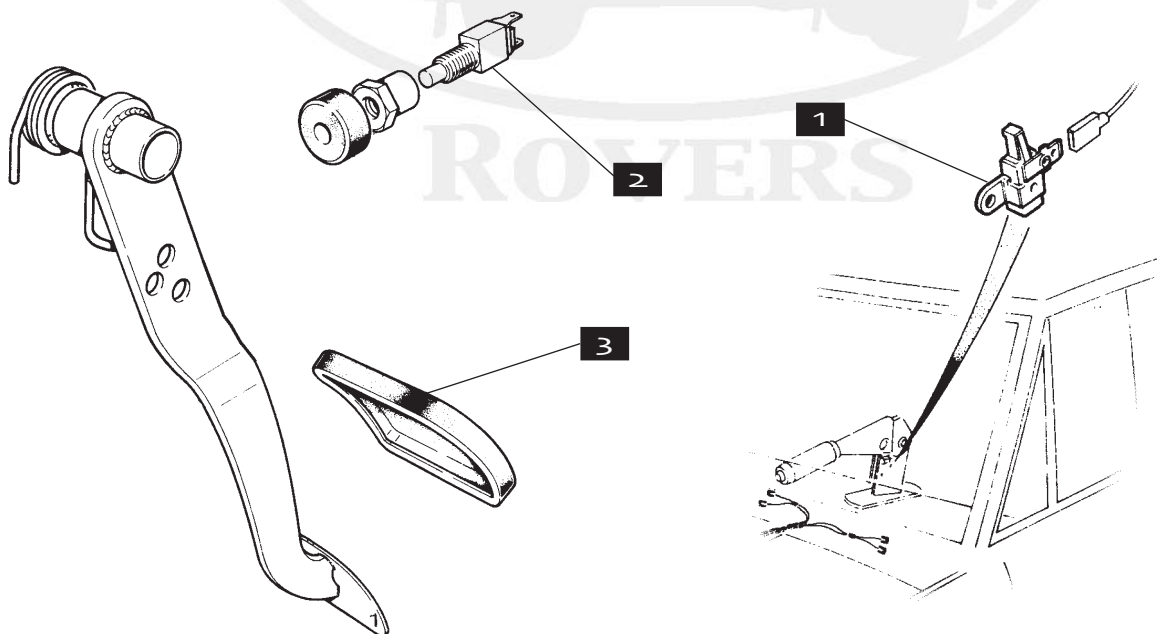
Description	Order Number	Explanatory Notes
1. Seal	RV-FTC5268	
2. Joint Washer	RV-FTC3648	Without ABS
3. Hub Seal, inner	RV-FTC4785	
4. Wheel Bearing	RV-RTC3429	Also see bearing kits, 2/ Wheel
5. Hub Seal, outer	RV-FRC8222	Without ABS
6. Lock Nut	RV-FRC8700	
7. Key Washer	RV-FRC8002	Without ABS
8. Joint Washer	RV-571752	
9. Axle Shaft, RH	RV-571882	Without ABS
9. Axle Shaft, LH	RV-571883	Without ABS
10. Joint Washer	RV-FTC3650	With ABS
11. Shim, .450mm	RV-FRC6782	With ABS through 1992; use as required
11. Shim, .600mm	RV-FRC6783	With ABS through 1992; use as required
11. Shim, .750mm	RV-FRC6784	With ABS through 1992; use as required
11. Shim, .900mm	RV-FRC6785	With ABS through 1992; use as required
11. Shim, 1.050mm	RV-FRC6786	With ABS through 1992; use as required
11. Shim, 1.200mm	RV-FRC6787	With ABS through 1992; use as required
11. Shim, 1.350mm	RV-FRC6788	With ABS through 1992; use as required
11. Shim, 1.500mm	RV-FRC6789	With ABS through 1992; use as required
11. Shim, 1.650mm	RV-FRC6790	With ABS through 1992; use as required
12. Hub Assembly, with Studs	RV-FTC942	With ABS Only
13. Key Washer	RV-217352	With ABS up to 35S16958B (coil suspension) and 37S00315A (air suspension)
13. Key Washer	RV-FTC5241	With ABS from 35S16959B (coil suspension) and 37S00316A (air suspension).
13. Key Washer	RV-FTC3179	With ABS from 35S16959B (coil suspension) and 37S00316A (air suspension).
14. Key Washer	RV-217353	With ABS up to 35S16958B (coil suspension) and 37S00315A (air suspension).
15. Circlip	RV-549473	With ABS through 1992
16. Hub Cap	RV-FTC5414	With ABS through 1992
17. Axle Shaft, RH	RV-FTC870	With ABS Through 1992
17. Axle Shaft, LH	RV-FTC871	With ABS Through 1992
17. Axle Shaft, RH	RV-FTC3186	1993-On, Up to axle numbers 35S18188C & 37S08650B
17. Axle Shaft, LH	RV-FTC3187	1993-On, Up to axle numbers 35S18188C & 37S08650B
17. Axle Shaft, RH	RV-FTC3270	1993-On, From axle numbers 35S18189C & 37S08651B
17. Axle Shaft, LH	RV-FTC3271	1993-On, From axle numbers 35S18189C & 37S08651B
18. Wheel Bearing Kit	RV-5003	Without ABS
18. Wheel Bearing Kit	RV-5004	With ABS 1987-1992 & 1993-1995 without air suspension
18. Wheel Bearing Kit	RV-5005	1993-1995 with air suspension

WHEELS, RANGE ROVER CLASSIC

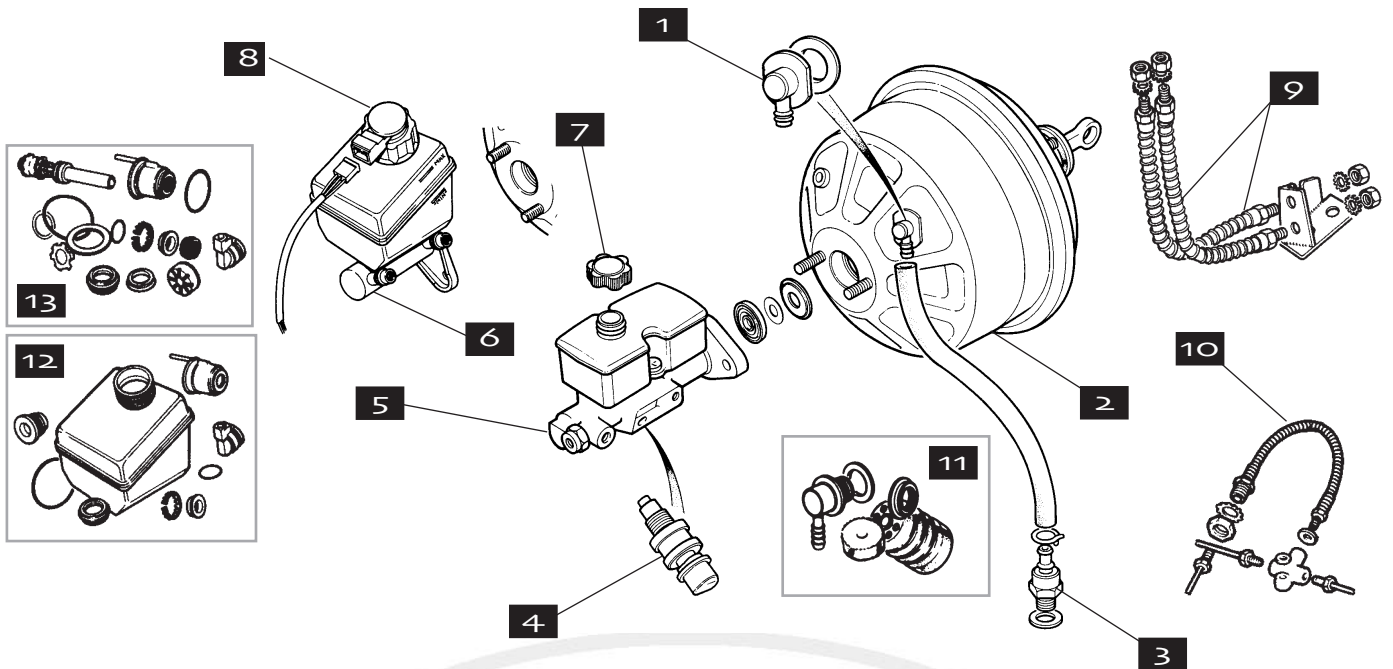


Description	Order Number	Explanatory Notes
1. Lug Nut	RV-NRC7415	Plain steel, to PA635839
1. Lug Nut	RV-ANR2763MMM	Stainless-capped, from PA635840
2. Wheel Center Cap	RV-NRC8254	Three-spoke wheels; "Range Rover" Logo
2. Wheel Center Cap	RV-RTC7641	Three-spoke wheels; "County" Logo
2. Wheel Center Cap	RV-ANR2391MNH	To 1995 with five-spoke wheels; "Silver Sparkle"
2. Wheel Center Cap	RV-ANR2391MUE	To 1995 with five-spoke wheels; "Quicksilver"
3. Alloy Wheel	RV-STC8126	Five-Spoke
4. Alloy Wheel	RV-ANR1406MUE	Three-Spoke

BRAKES, ELECTRICAL AND PEDAL, RANGE ROVER CLASSIC

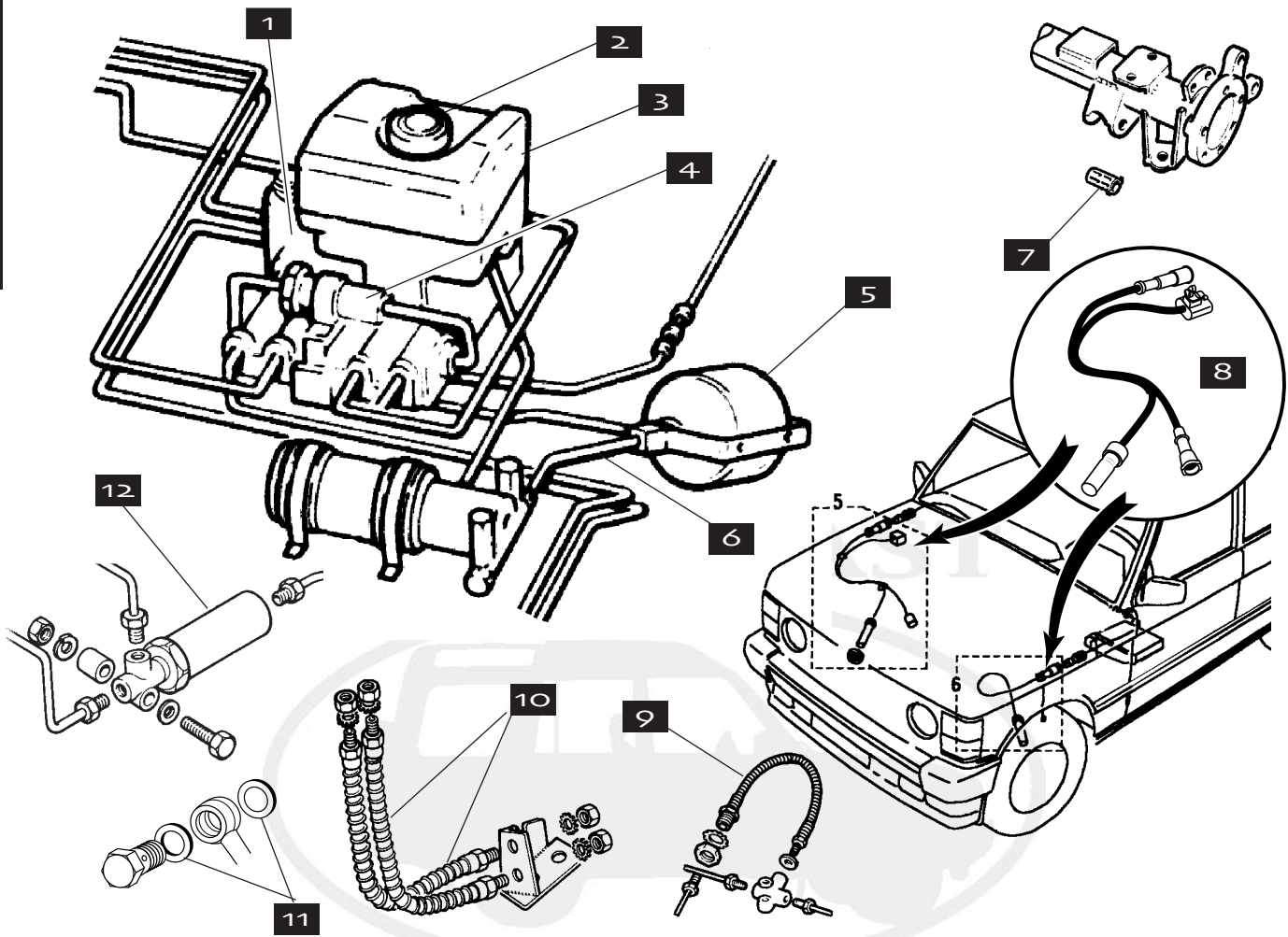


Description	Order Number	Explanatory Notes
1. Handbrake warning switch	RV-ADU2888L	All
2. Brake Light Switch	RV-13H3735L*	Without ABS
2. Brake Light Switch	RV-AMR2010	With ABS
3. Brake Pedal Pad	RV-CRC570	Up to PA638528 (1993)
3. Brake Pedal Pad	RV-ANR2941	BPA638520-on (1993)



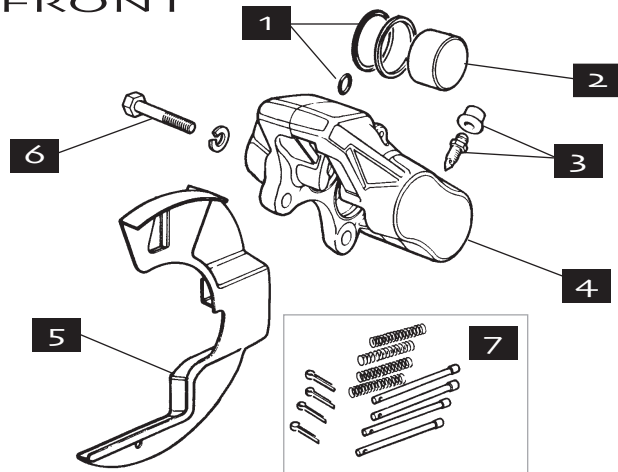
Description	Order Number	Explanatory Notes	Qty
1. Non-return valve on servo	RV-RTC5636	Lockheed Master Cylinder, non ABS (1987 & 1988, reservoir top is flat.)	1
1. Non-return valve on servo	RV-STC780	Girlinging Master Cylinder	1
2. Brake Servo, Lockheed	RV-AEU1715	Lockheed Master Cylinder, non ABS (1987 & 1988, reservoir top is flat.)	1
2. Brake Servo, Girling	RV-STC1286	Girlinging Master Cylinder	1
3. Non-return valve on manifold	RV-LKX100440	Lockheed or Girling Master Cylinder	1
4. Pressure Switch	RV-PRC2583	Lockheed Master Cylinder, non ABS (1987 & 1988, reservoir top is flat.)	1
5. Master Cylinder	RV-RTC3658	Lockheed Master Cylinder, non ABS (1987 & 1988, reservoir top is flat.)	1
6. Master Cylinder	RV-NTC4991	Girlinging Master Cylinder; Reservoir has an angled top; has wire to filler cap; up to JA624755.	1
7. Master Cylinder Cap	RV-513123	Lockheed Master Cylinder, non ABS (1987 & 1988, reservoir top is flat.)	1
8. Filler Cap/Switch on Reservoir	RV-RTC5831	Girlinging Master Cylinder	1
9. Front Brake Hose, per each	RV-NRC4401*	Lockheed Master Cylinder, non ABS (1987 & 1988, reservoir top is flat.)	2
9. Front Brake Hose	RV-NRC4401*	Girlinging Master Cylinder, to VIN MA610293	2
9. Front Brake Hose	RV-NTC7670	Girlinging Master Cylinder, from VIN MA610294	2
10. Rear Brake Hose	RV-NTC3458	Lockheed Master Cylinder, non ABS (1987 & 1988, reservoir top is flat.)	1
10. Rear Brake Hose	RV-NTC3458	Girlinging Master Cylinder	1
11. Rebuild Kit, Lockheed Servo	RV-AEU1021	Lockheed Master Cylinder, non ABS (1987 & 1988, reservoir top is flat.)	1
11. Repair Kit, Girling Servo	RV-RTC5832	Girlinging Master Cylinder	1
12. Brake Reservoir Overhaul Kit	RV-RTC5833	Girlinging Master Cylinder	1
13. Overhaul Kit, Master Cylinder	RV-AEU1894*	Lockheed Master Cylinder, non ABS (1987 & 1988, reservoir top is flat.)	1
13. Overhaul Kit, Master Cylinder	RV-RTC5834	Girlinging Master Cylinder	1

\* Denotes Aftermarket Part

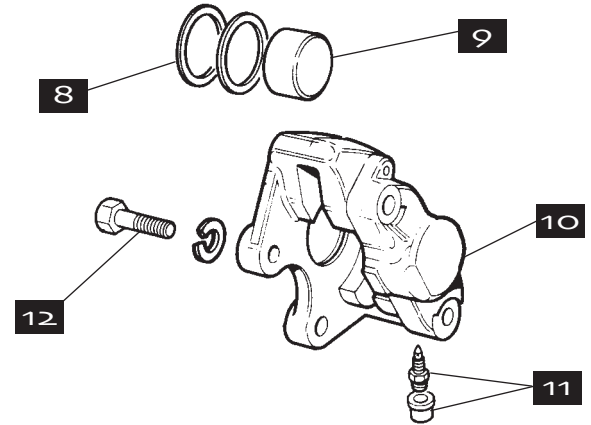


Description	Order Number	Explanatory Notes	Qty
1. Brake Booster	RV-STC886		1
2. Cap, Brake Reservoir	RV-NTC9858		1
2. Seal, Brake Reservoir Cap	RV-RTC6490		1
2. Filter, Brake Reservoir	RV-RTC6493		1
3. Brake Fluid Reservoir	RV-RTC6741		1
4. Pump, pressure, to PA632922	RV-STC885		1
4. Pump, pressure, from PA632923	RV-STC1181		1
5. Brake Accumulator	RV-RTC6498		1
6. High Pressure Hose to Accumulator	RV-NTC5920	Through 1994	1
6. High Pressure Hose to Accumulator	RV-ANR3489	1995	1
7. Bushing, ABS Sensor	RV-FTC1374	On Rear Axle	2
8. Sensor & Harness Assembly, ABS	RV-STC90	Front RH or LH, through 1991	4
8. Sensor & Harness Assembly, ABS	RV-STC1864	Front, Right Side 1992-1995	4
8. Sensor & Harness Assembly, ABS	RV-STC1865	Front, Left Side 1992-1995	4
8. Sensor & Harness Assembly, ABS	RV-STC1866	Rear, all	4
9. Rear Brake Hose	RV-NTC3458		2
10. Front Brake Hose	RV-NRC4401*	to VIN MA610293 (mid 1991); (two per side)	4
10. Front Brake Hose	RV-NTC7670	VIN MA610294-on (mid 1991): two per side)	4
11. Copper Washer on Banjo Fittings	RV-STC1554		2
12. Brake Pressure Reducing Valve	RV-NTC6868L	With or without ABS, except 1993-on "County"	1
12. Brake Pressure Reducing Valve	RV-NTC9753	1993-on "County" models	1

FRONT



REAR



Description

Order Number

Explanatory Notes

1. Rebuild Kit, Front, Brake Calipers	RV-AEU1547*	1987-1995
<b>One kit will rebuild both rear calipers or one front caliper; three kits required per vehicle.</b>		
2. Caliper Piston	RV-606683	Front, 1987-1995, 4 per caliper; OE
2. Caliper Piston	RV-606683SS	Front, 1987-1995, 4 per caliper; stainless steel
3. Bleed Nipple	RV-RTC1526	Front
4. Front Brake Caliper, RH, solid rotors	RV-AEU1718*	1981-1989, new
4. Front Brake Caliper, LH, solid rotors	RV-AEU1719*	1981-1989, new
4. Front Brake Caliper, RH, solid rotors,	RV-AEU1718/RB	1981-1989, rebuilt
4. Front Brake Caliper, LH, solid rotors,	RV-AEU1719/RB	1981-1989, rebuilt
4. Front Brake Caliper, RH, vented rotors	RV-RTC6776*	To 1993 (imperial threads), new
4. Front Brake Caliper, LH, vented rotors	RV-RTC6777*	To 1993 (imperial threads), new
4. Front Brake Caliper, RH	RV-STC1282*	1993-1995 (metric threads), new
4. Front Brake Caliper, LH	RV-STC1283*	1993-1995 (metric threads), new
4. Front Brake Caliper, RH	RV-STC1282/RB	1990-1995, vented rotors, rebuilt
4. Front Brake Caliper, LH	RV-STC1283/RB	1990-1995, vented rotors, rebuilt
5. Front Mud Shield, RH	RV-FTC4838	
5. Front Mud Shield, LH	RV-FTC4839	
6. Front Caliper Mounting Bolt	RV-591065	1987-1992
6. Front Caliper Mounting Bolt	RV-FTC3375	1993-1995
7. Front, Guide Pin Kit	RV-STC8575	
8. Caliper Rebuild Kit, Rear	RV-AEU1547*	1987-1995
<b>One kit will rebuild both rear calipers or one front caliper; three kits required per vehicle.)</b>		
8. Caliper Rebuild Kit, Rear	RV-8G8587	
<b>This kit is 1/2 of RV-AEU1547, above</b>		
9. Brake Piston, Rear	RV-606696	1987-1995; OE
9. Brake Piston, Rear	RV-606696SS	1987-1995; stainless steel
10. Rear Brake Caliper, RH	RV-AEU1716	To 1992, new
10. Rear Brake Caliper, LH	RV-AEU1717	To 1992, new
10. Rear Brake Caliper, RH	RV-AEU1716/RB	To 1992, rebuilt
10. Rear Brake Caliper, LH	RV-AEU1717/RB	To 1992, rebuilt
10. Rear Brake Caliper, RH	RV-STC1264*	1993-1995, metric threads, new
10. Rear Brake Caliper, LH	RV-STC1265*	1993-1995, metric threads, new
10. Rear Brake Caliper, RH	RV-STC1264/RB	1993-1995, metric threads, rebuilt
10. Rear Brake Caliper, LH	RV-STC1265/RB	1993-1995, metric threads, rebuilt
11. Bleed Nipple, Rear	RV-RTC1526	3/8" x 24 UNF
12. Rear Caliper Mounting Bolt	RV-591065	1987-1992
12. Rear Caliper Mounting Bolt	RV-FTC3375	1993-1995

\* Denotes Aftermarket Part

## BRAKE PADS & PARTS



Front Brake Pads

Pad Retaining Hardware Kit

Rear Brake Pads

Description	Order Number	Explanatory Notes
Brake Pad Sets, Front	RV-GPX831	1981-1985, gray market, no sensors, semi-metallic
Brake Pad Sets, Front	RV-RTC4518/M	1986-1989, solid rotors, standard metallic
Brake Pad Sets, Front	RV-RTC4518/AMM	1986-1989, solid rotors, Axxis® Metal Master
Brake Pad Sets, Front	RV-RTC4518/LK	1986-1989, solid rotors, Lockheed Brand
Brake Pad Sets, Front	RV-RTC6781*	1990-95, vented rotors, organic
Brake Pad Sets, Front	RV-RTC6781/AMM	1990-95, vented rotors, Axxis Metal Master
Brake Pad Sets, Front	RV-RTC6781/LK	1990-95, vented rotors, Lockheed Brand
Brake Pad Sets, Front	RV-RTC6781K	1990-95, vented rotors, Hi-performance Kevlar
<b>Note: Hi-performance Kevlar pads do not have wear sensors. You can keep the light on your dash from coming on by creating a loop in the original sensor wiring (see detail illustration above) but the brake wear warning light will not come on when the pads are worn out.</b>		
Front Pad Retaining Hardware Kit	RV-STC8573	Solid rotors
Front Pad Retaining Hardware Kit	RV-STC8575	Vented rotors
Brake Pad Sets, Rear	RV-STC2953*	1981-1986 Gray Market, organic
Brake Pad Sets, Rear	RV-STC2953/AMM	1981-1986 Gray Market, Axxis MetalMaster Brand
Brake Pad Sets, Rear	RV-STC2953/LK	1981-1986 Gray Market, Lockheed
Brake Pad Sets, Rear	RV-RTC6591/M	1987-1995, Standard Metallic
Brake Pad Sets, Rear	RV-RTC6591/MTX	1987-1995, Mintex Brand
Brake Pad Sets, Rear	RV-RTC6591/LK	1987-1995, Lockheed Brand
Brake Pad Retainer Kit	RV-STC8574	For RV-RTC6591 pads

## BRAKE ROTORS



Vented Brake Rotors

Description	Order Number	Explanatory Notes
Brake Rotor/Disc, Front	RV-FRC7329*	Solid (non vented), to end of 1989, for cars w/o ABS
<b>Note: When replacing rotors, also purchase one each of RV-FRC8222 hub seal, RV-FTC4785 inner hub seal and RV-571572 gasket with each rotor. See complete overhaul kits on facing page.</b>		
Brake Rotor/Disc, Front	RV-FTC902*	Vented, 1990-1995
<b>Note: When replacing rotors, also purchase one each of RV-FTC4785 Inner Hub Seal and one RV-571572 Gasket per rotor. See complete overhaul kits on facing page.</b>		
Brake Rotor/Disc, Rear	RV-FTC1381*	All Range Rover to 1995

BRAKE OVERHAUL KITS



Everything you need to change out all four rotors, front-and-rear pads and required seals, gaskets, lock washers and brake pad retaining hardware -- all in one convenient package. All kits supplied with Lockheed-brand pads.

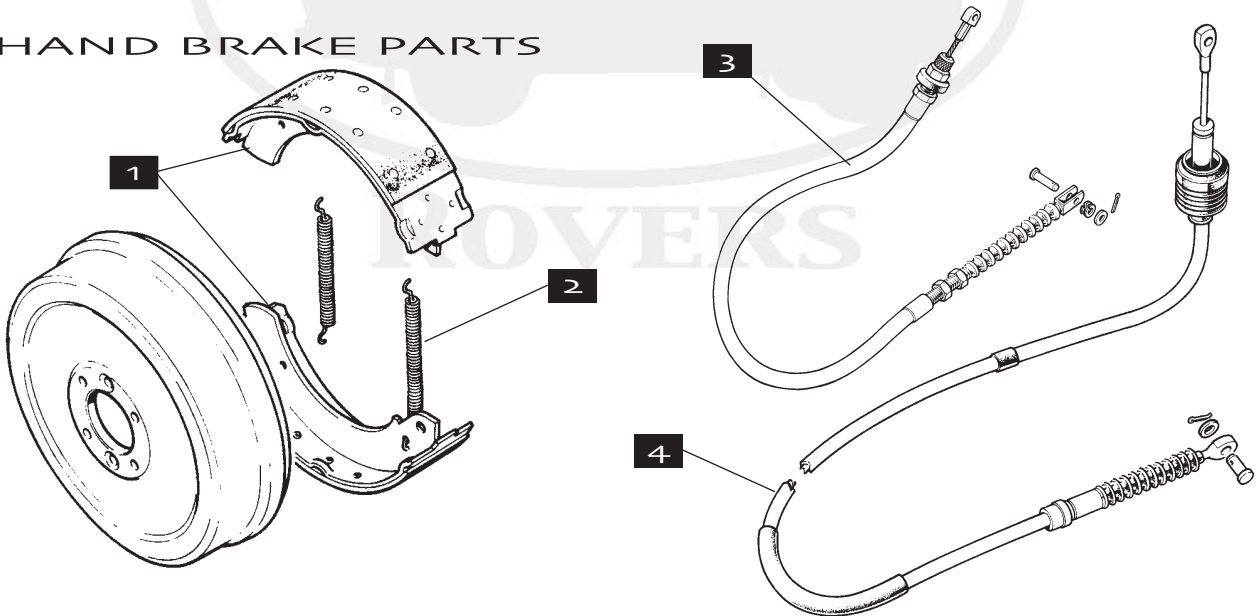
And ... check out our new kits that substitute EBC rotors and pads for the ultimate upgrade!

**EBC**  
BRAKES



Description	Order Number	Explanatory Notes
Brake Kits With Standard Pads and Rotors	RV-2050	With solid front rotors and no ABS
Brake Kits With Standard Pads and Rotors	RV-2052	With vented front rotors and ABS
Brake Kits With EBC® Pads and Rotors	RV-2051	With solid front rotors and no ABS
Brake Kits With EBC® Pads and Rotors	RV-2053	With vented front rotors and ABS

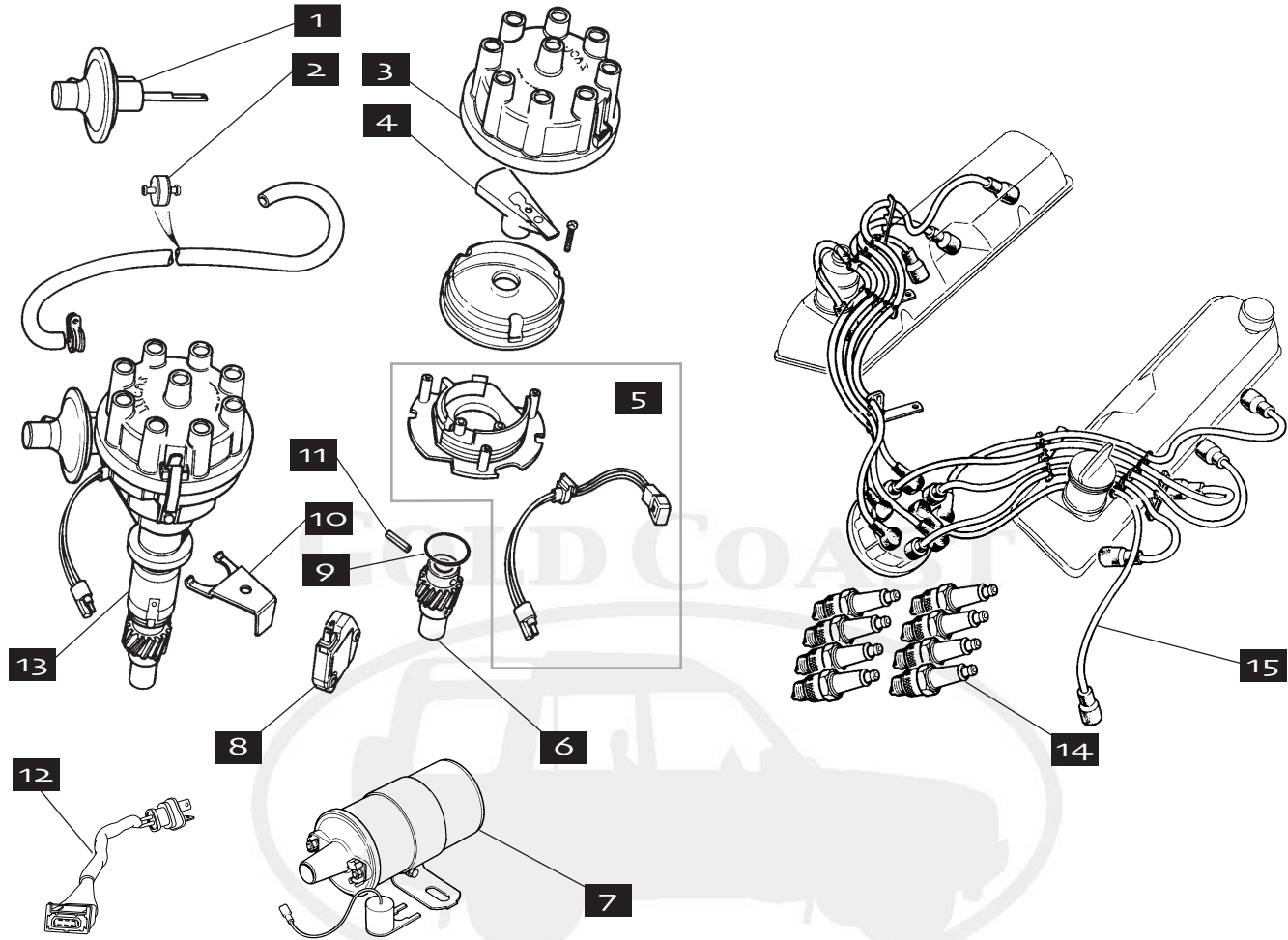
HAND BRAKE PARTS



Description	Order Number	Explanatory Notes	Qty
1. Hand Brake Shoe Kit	RV-STC2990	With LT230T transfer box (1987-1988)	1
1. Hand Brake Shoe Kit	RV-STC965	With Borg-Warner transfer box, 89-on	1
2. Return Springs	RV-FRC8549	all LT230T and BW to July 1990	2
2. Return Spring	RV-STC246	Return Spring, July 1990 to 36D22145A	2
3. Handbrake Cable	RV-NRC5089	Pre-1986 Gray Market	1
3. Handbrake Cable	RV-NTC9400	USA-spec. to end of 1988	1
4. Handbrake Cable	RV-NTC6125	1989 thru 1993 (approx.), to engine 36D22144A	1
4. Handbrake Cable	RV-STC1528	1993-on (approx.), engine 36D22145A-on	1

\* Denotes Aftermarket Part

IGNITION, RANGE ROVER CLASSIC

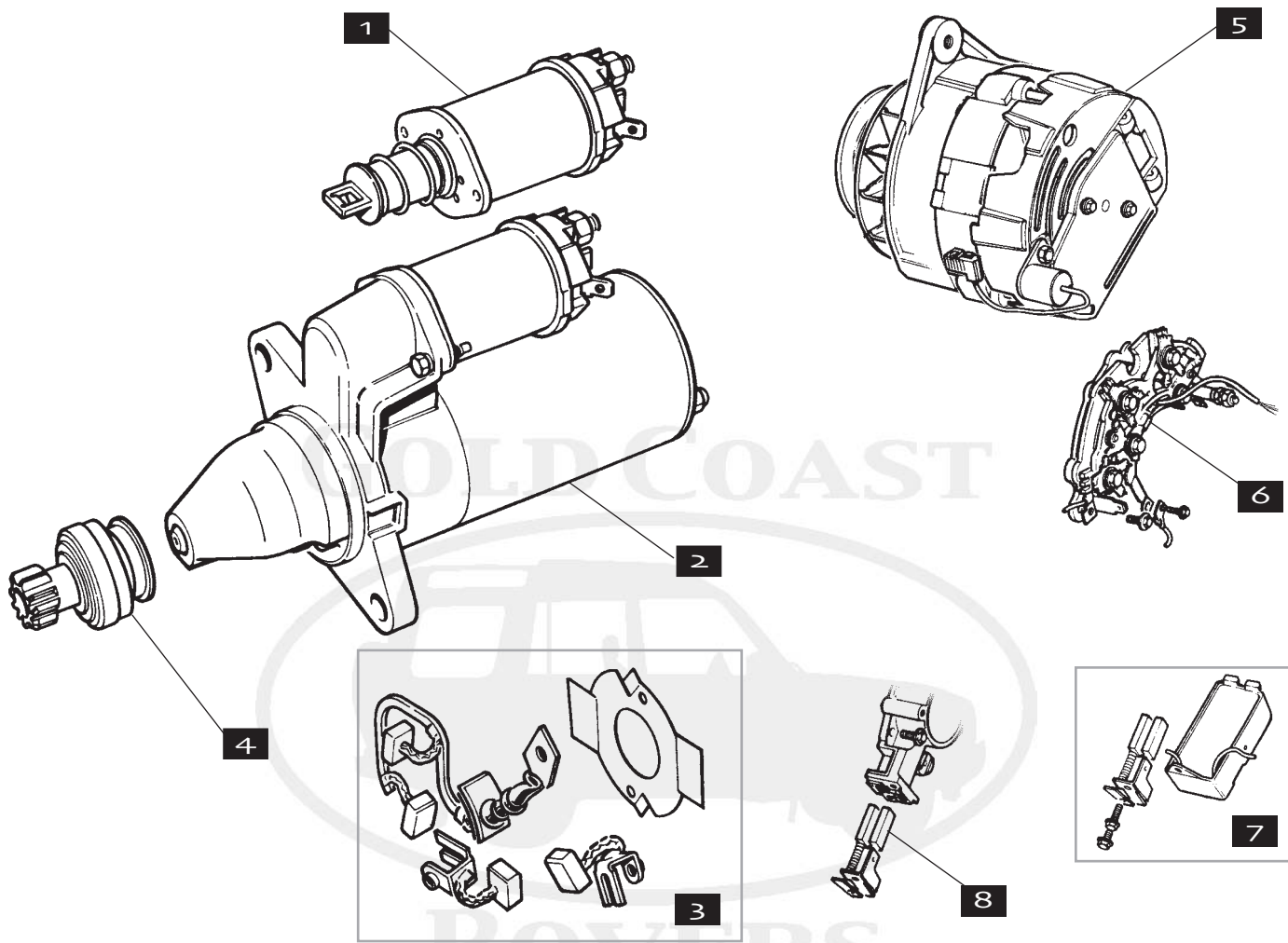


Description	Order Number	Explanatory Notes	Qty
1. Vacuum Advance Unit	RV-RTC5092	With Three-Pin Ignition Control Module	1
1. Vacuum Advance Unit	RV-RTC3201	With Two-Pin Ignition Control Module	1
2. Vacuum Delay	RV-ERC6997	Through 1992	1
3. Distributor Cap	RV-STC8368	OEM	1
3. Distributor Cap	RV-STC8368*	Aftermarket	1
4. Rotor	RV-STC1857	OEM, with silicone tip	1
4. Rotor	RV-STC1857*	Aftermarket	1
5. Distributor Pick-up and Base Unit	RV-RTC5090		1
6. Distributor Drive Gear	RV-ERC1353		1
7. Coil	LU-DLB198	OE Lucas; as per RTC5628	1
7. Coil	LU-DLB198*	Aftermarket, as per RTC5628	1
8. Ignition Control Module	RV-RTC5089*	(a.k.a. Amplifier) Earlier two-pin type	1
8. Ignition Control Module	RV-STC1184	Later three-pin Type	1
9. O-Ring, Bottom of Distributor	RV-603446		1
10. Distributor Hold-Down Bracket	RV-613857		1
11. Roll Pin, Dist. Drive Gear	RV-602953		1
12. Link Lead	RV-STC1212	Used when replacing a distributor or advance unit with a 2-pin system with a distributor with a 3-pin fixing between the advance unit and the engine harness.	1
13. Distributor	RV-ERR4035	1993-on to 36D28463B; STC1212 required up to 36D18873A	1
14. Spark Plug	RV-BPR5EY		8
14. Bosch Platinum Spark Plug	RV-WR9LP		8
15. Spark Plug Wire Set	RV-ETC6484*		1



STARTER MOTOR

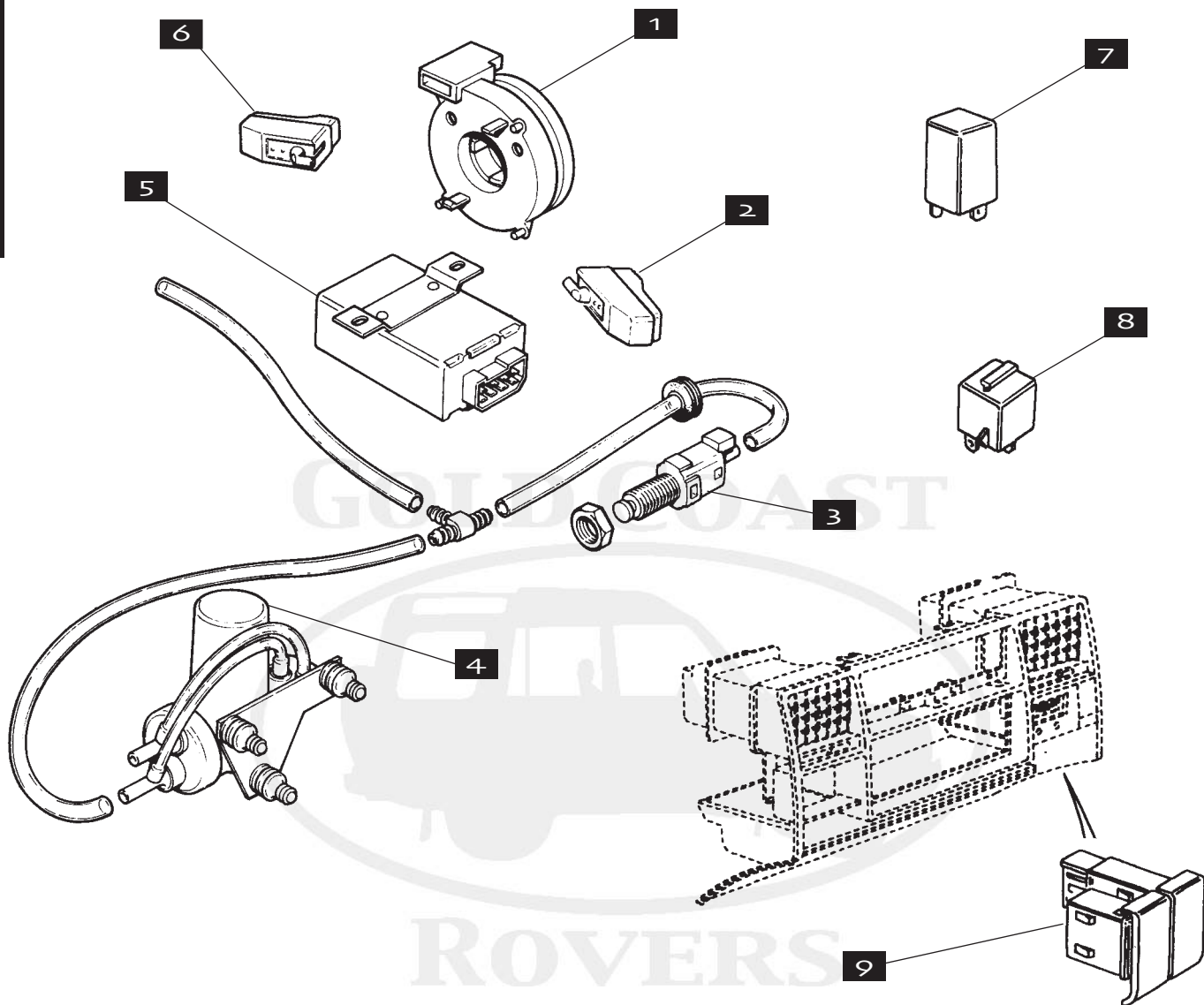
ALTERNATOR



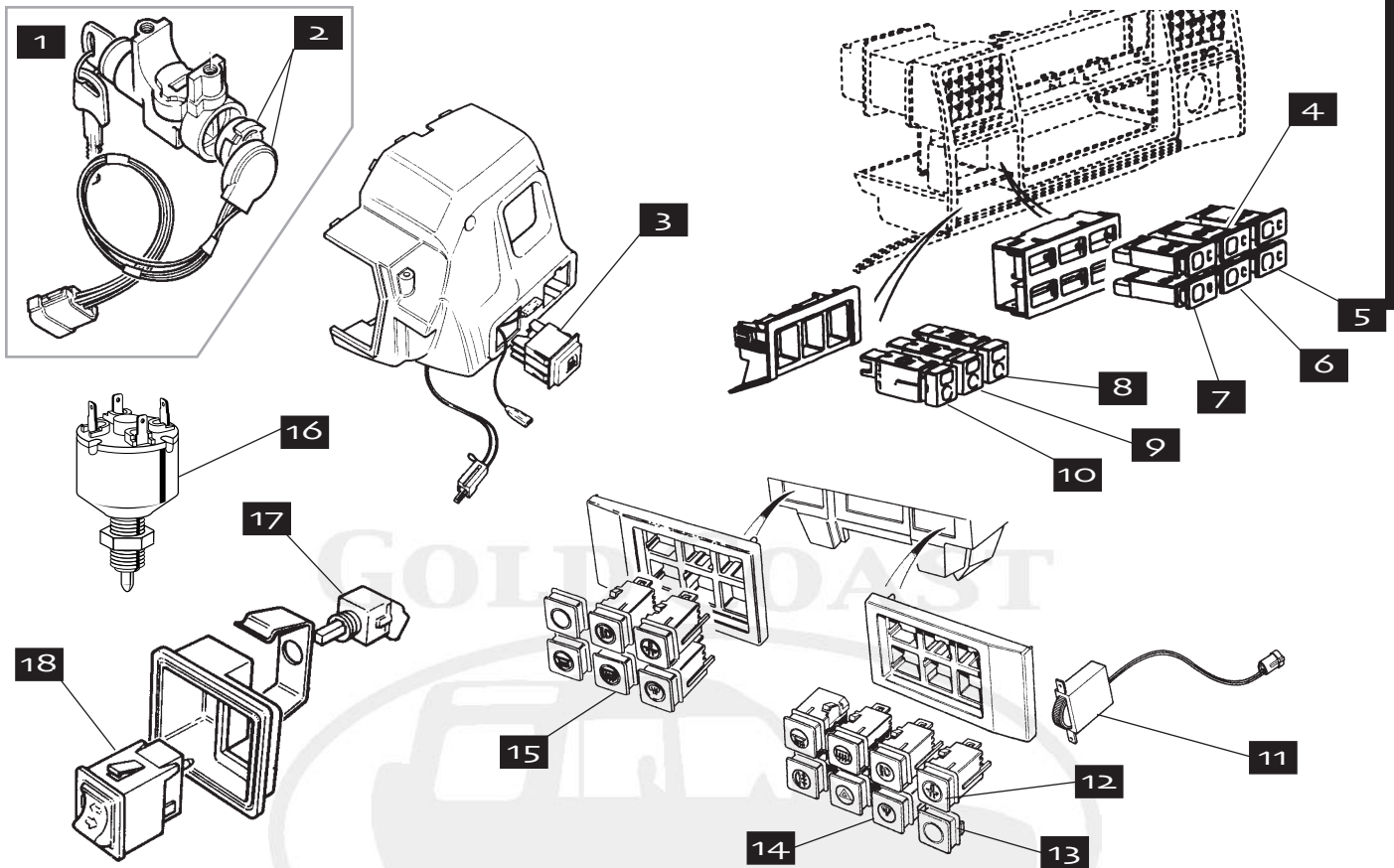
Description	Order Number	Explanatory Notes
1. Solenoid	RV-RTC5049	For RTC6061N
1. Solenoid	RV-STC1242	For ERR6087
2. Starter, Lucas/Marelli	RV-RTC6061N*	Rebuilt, to about January, 1993 (to engines 36D195080A and 40D03276A);
2. Starter, Bosch	RV-ERR6087*	Rebuilt, from January, 1993 (from engines 36D195081A and 40D03277A)
3. Brush Set, Starter	RV-RTC5048	For RTC6061N
3. Brush Set, Starter	RV-STC1243	For ERR6087
4. Drive	RV-RTC5050	For RTC6061N
4. Drive	RV-STC1241	For ERR6087
5. Alternator	RV-STC1753*	Rebuilt, 1987-1992, 80 Amp Lucas (A2516)
5. Alternator	RV-YLE10099*	Rebuilt, 3.9 1993-1995; 85 Amp Lucas
5. Alternator	RV-YLE10124	Rebuilt, 4.2 to SA647649; 100 Amp Lucas
5. Alternator	RV-AMR3107	Rebuilt, from SA647650
6. Rectifier	RV-RTC5609	For STC1753
7. Voltage Regulator	LU-UCB133	All, (RTC5928)
8. Brush Set, Alternator	RV-RTC5611	All

\* Denotes Aftermarket Part

CRUISE CONTROL, RANGE ROVER CLASSIC

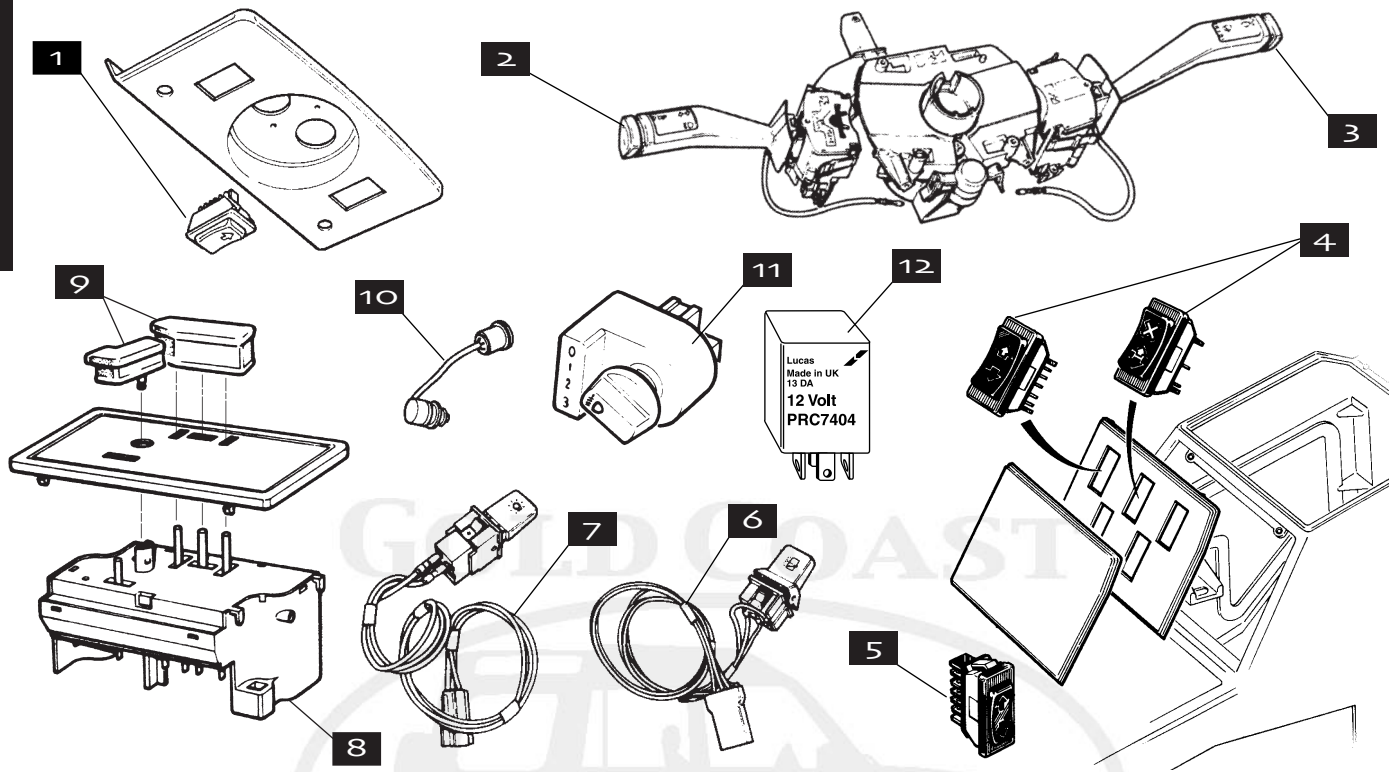


Description	Order Number	Explanatory Notes
1. Rotary Cassette	RV-PRC8746	Through 1994
1. Rotary Cassette	RV-YRC100350	1995
2. Switch, Set/Accelerate	RV-PRC5797	Through 1994
2. Switch, Set/Accelerate	RV-AMR3361	1995
3. Switch and Vent Valve	RV-PRC6259	Through 1994
3. Switch and Vent Valve	RV-ERR2622	1995
4. Vacuum Unit	RV-PRC6260	All
5. Control Unit	RV-PRC5060	Through 1992
5. Control Unit	RV-AMR2524	1993 & 1994
5. Control Unit	RV-AMR1173	1995
6. Switch, Reset/Cancel	RV-PRC6590	Through 1994
7. Relay Module Speed Trip	RV-PRC9666	1993 & 1994
8. Relay, change over	RV-YWB10032L	All
9. Dash Switch, Cruise Enable	RV-ATU1023L	Through 1994
9. Dash Switch, Cruise Enable	RV-AMR3599	1995

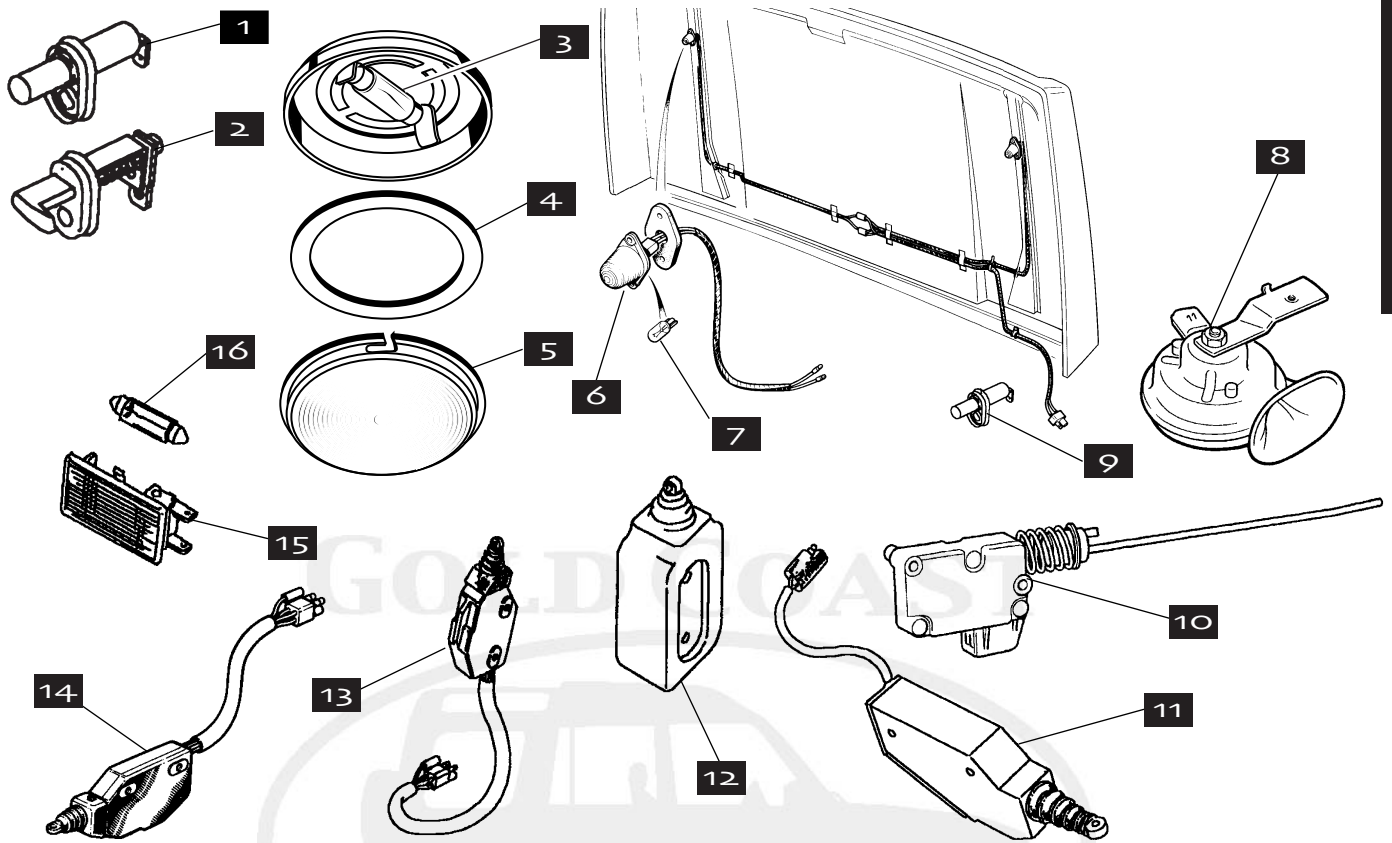


Description	Order Number	Explanatory Notes
1. Ignition Switch And Lock Assembly	RV-NTC9440	1987-1992
1. Ignition Switch And Lock Assembly	RV-NTC9588	1993-1994
1. Ignition Switch And Lock Assembly	RV-STC1436	1993-1995
2. Ignition Switch Only	RV-PRC3408	Through 1992
2. Ignition Switch Only	RV-STC932	1993-1994
2. Ignition Switch Only	RV-STC1746	1995
3. Fuel Filler Door Release Switch	RV-PRC7130	Through 1994
3. Fuel Filler Door Release Switch	RV-AMR3747	1995
4. Driving Lights Switch	RV-AMR3597	1995
5. Defroster Switch, Front Windshield	RV-AMR3603	1995
6. Defroster Switch, Rear Windshield	RV-AMR3604	1995
7. Interior Light Switch, 1995	RV-AMR3600	1995
8. Suspension Switch, Lower	RV-AMR1778	1995
9. Suspension Switch, Inhibit	RV-AMR1776	1995
10. Suspension Switch, Raise	RV-AMR1777	1995
11. Dash Lights Dimmer Switch	RV-AMR3024	Through 1994
12. Cruise Control On/Off Switch	RV-ATU1023L	Through 1994
12. Cruise Control On/Off Switch	RV-AMR3599	1995
13. Auxiliary Lamp (Fog) Switch	RV-ATU1027L	Through 1994
13. Courtesy Light Switch	RV-ATU1020L	Through 1994
14. Defroster Switch, Front Windshield	RV-PRC6797	Through 1994
15. Defroster Switch, Rear Windshield	RV-ATU1021L	Through 1994
16. Inhibitor Starting Switch	RV-34531	With LT230 Transfer box (PRC5642)
17. Mirror Control Switch	RV-DRC2481	Through 1994, non-memory mirrors (six pin)
17. Mirror Control Switch	RV-PRC5752	Through 1994, with memory mirror (five pin)
18. Mirror Selector Switch	RV-PRC5751	All

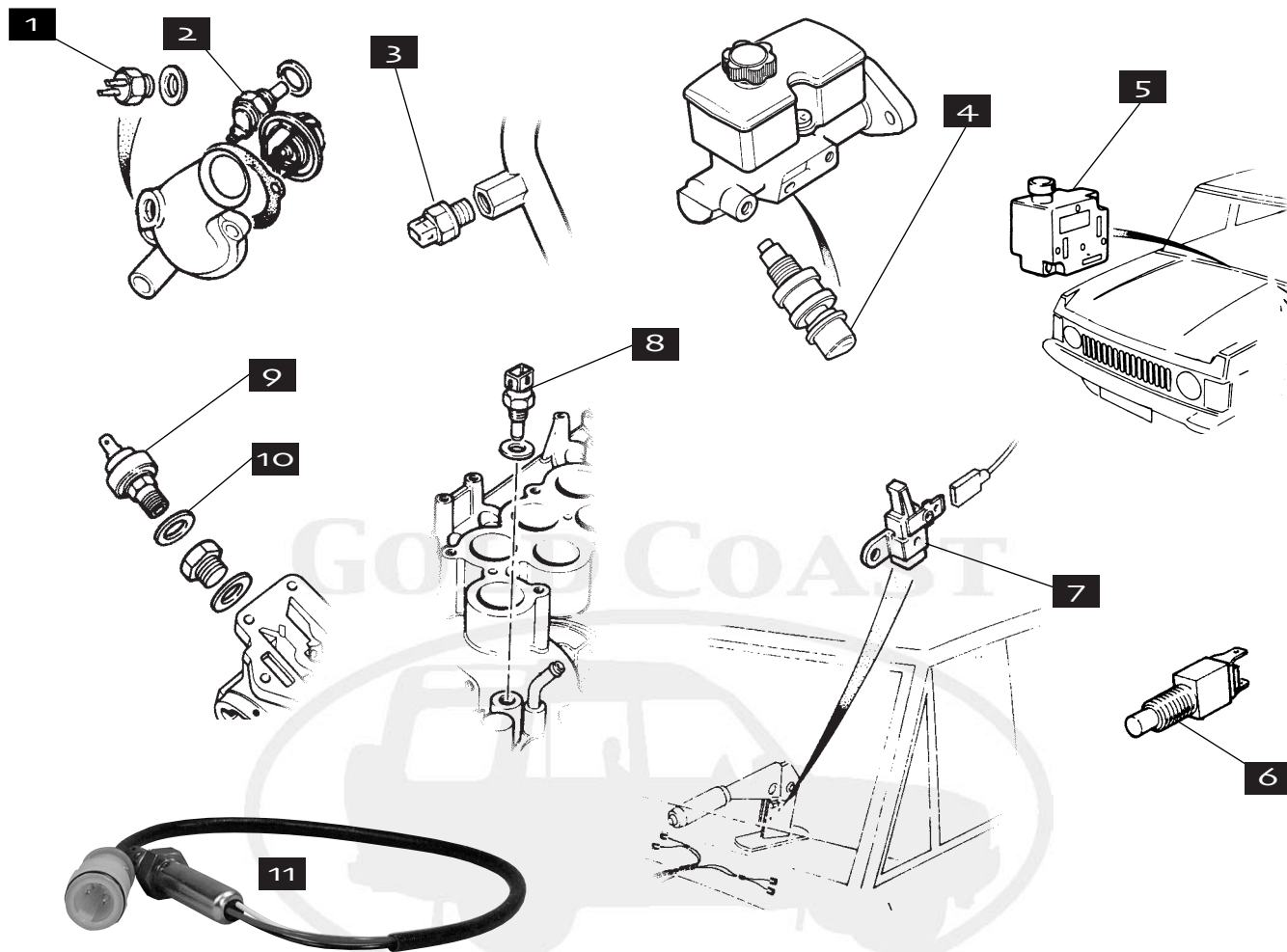
SWITCHES, RANGE ROVER CLASSIC



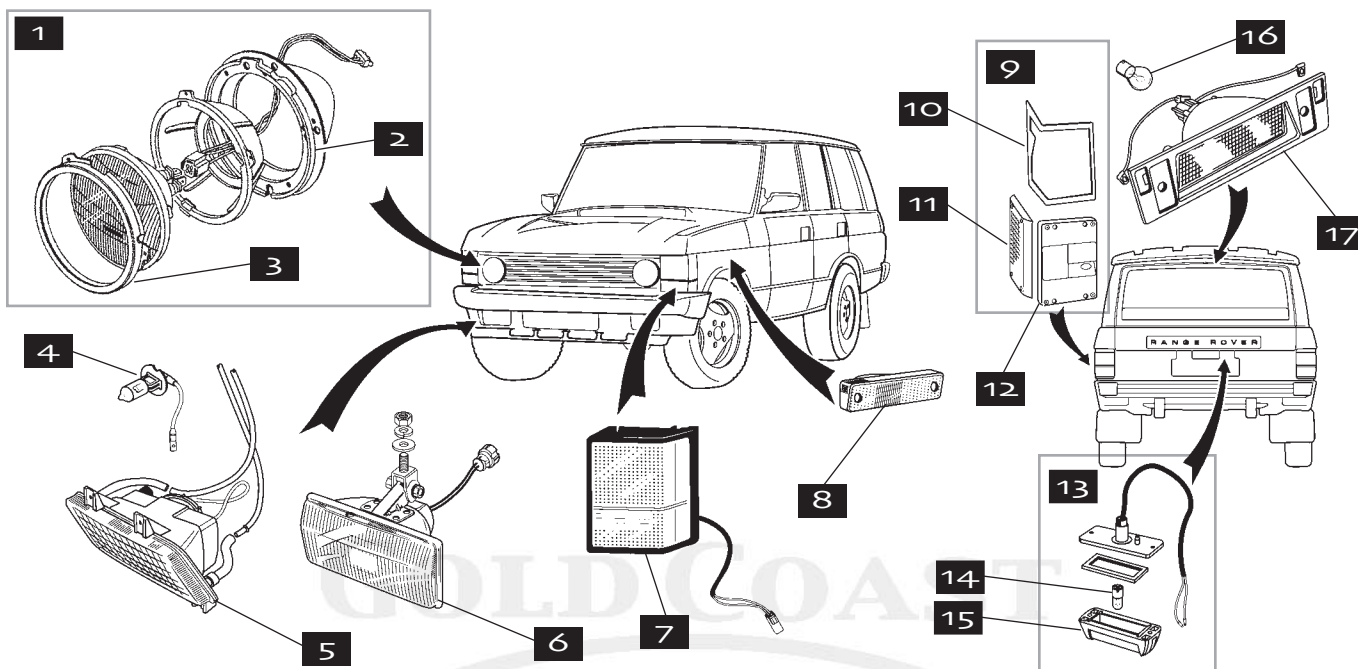
Description	Order Number	Explanatory Notes
1. Sun Roof Switch	RV-PRC5255	
2. Turn Signal Switch	RV-PRC5072	Through 1994 (also headlamp dip, horn and hazard)
2. Turn Signal/Head Lamp Switch	RV-STC4017	1995; Also available as a unit with the wipe switch as RV-AMR3841
3. Wiper/Washer Switch	RV-PRC5073	Through 1988
3. Washer/Wiper Switch	RV-PRC8724	1989-1994
3. Wiper Switch	RV-STC1790	1995; Also available as a unit with the headlight switch as RV-AMR3841)
4. Window Switch	RV-PRC5255	Fitted to center console and LH rear door, 5 req'd, thru 1994
4. Window Switch	RV-PRC5254	Fitted to RH rear door, 1 req'd, through 1995
4. On/Off (Isolator) Switch for Windows	RV-PRC4754	
5. Window Switch	RV-PRC3912	In Rear Arm Rests, through 1992
6. Washer/Wiper Switch, Rear	RV-PRC6284	Through 1988
6. Washer/Wiper Switch, Rear	RV-PRC9956	1989-1994
7. Head and Side Lamp Switch	RV-PRC5425	Through 1994
8. Seat Switch, Right Side	RV-PRC8095	Non memory seats
8. Seat Switch, Left Side	RV-PRC8096	Non memory seats
8. Seat Switch, Left Side	RV-PRC7153	Memory seats
9. Seat Switch Control Button	RV-PRC6030	Right Side Seat Back, Non-Memory Seats
9. Seat Switch Control Button	RV-PRC6029	Left Side Seat Back, Non-Memory Seats
9. Seat Switch Control Button	RV-PRC6032	Right Side Seat Cushion, Non-Memory Seats
9. Seat Switch Control Button	RV-PRC6031	Left Side Seat Cushion, Non-Memory Seats
10. Start/inhibit & reverse switch	RV-RTC4937	On transmission
11. Head Lamp Level Switch	RV-PRC7989	1995
12. Delay Unit, Rear Window Wipe/Wash	RV-37837	1989-1992 (PRC7404)



Description	Order Number	Explanatory Notes	Qty
1. Door Light Courtesy Switch	RV-STC872	Through 1988	4
1. Door Light Courtesy Switch	RV-PRC8548	1989-1995	4
2. Rear Hatch Courtesy Light Switch	RV-PRC7065	To PA633784	1
2. Rear Hatch Courtesy Light Switch	RV-AFU4241L	PA633784-on	1
3. Bulb, Courtesy Light	RV-559186	All	1
4. Gasket, Courtesy Light	RV-567905	All	1
5. Lens, Courtesy Light	RV-PRC1634	All	2
6. Under-Bonnet Lamp	RV-PRC2924	All	2
7. Bulb for above	RV-AFU4481	All	1
8. Horn, High Note	RV-YEB10026	Through 1994	1
8. Horn, Low Note	RV-YEB10027	Through 1994	1
8. Horn, High Note	RV-AMR3337	1995	1
8. Horn, Low Note	RV-AMR3338	1995	1
9. Switch For Bonnet Lamp	RV-PRC8548	All	1
10. Fuel Door Actuator	RV-PRC5085	Through 1989	1
10. Fuel Door Actuator	RV-PRC9681	1990-on	1
11. Rear Hatch Actuator	RV-PRC3916	Through 1994	1
12. Rear Hatch Actuator	RV-AMR3382	1995	1
13. Door Lock Actuator	RV-PRC8099	1990-1994, rear (RH or LH)	1
13. Door Lock Actuator	RV-AMR3382	1995, rear (RH or LH)	1
14. Door Lock Actuator	RV-PRC4831	Through 1989, left front	1
14. Door Lock Actuator	RV-PRC3916	Through 1989, right front	1
14. Door Lock Actuator	RV-PRC8098	1990-1994, front (RH or LH)	1
14. Door Lock Actuator	RV-AMR3384	1995, front (RH or LH)	1
14. Door Lock Actuator	RV-PRC3916	Through 1989, rear (RH or LH)	1
15. Glove Box Lamp	RV-ADU2066L	All	1
16. Bulb for Glove Box Lamp	RV-STC1203	All	1



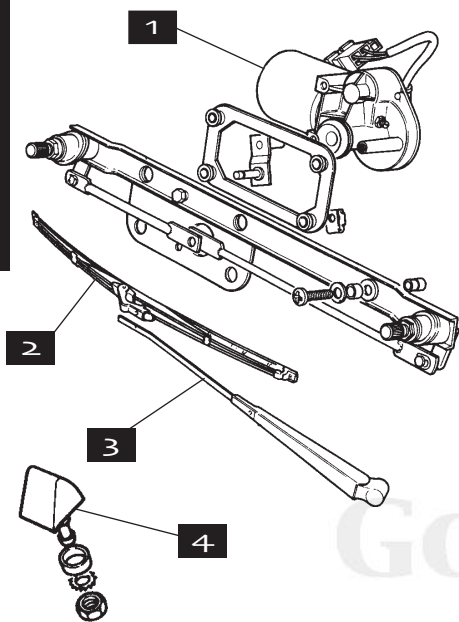
Description	Order Number	Explanatory Notes
1. Cooling Fan Temperature Sender	RV-PRC3505	
2. Temperature Transmitter	RV-560794	Oil temp gauge with 120 dial, Gray Market (pre-1987) Only
2. Temperature Transmitter	RV-568055	Water temp., Gray Market (pre-1987) Only
2. Temperature Transmitter	RV-623050	Oil temperature, Gray Market (pre-1987) Only
3. Fuel Temperature Sender	RV-ETC6661	
4. Pressure Differential Warning Switch	RV-PRC2583	On Brake Master Cylinder, non ABS RR with Lockheed M/C
5. Fuel Cut-Off (inertia) Switch	RV-DBC2022L	Through 1994
5. Fuel Cut-Off (inertia) Switch	RV-WQT100030L	1995
6. Brake Light Switch	RV-13H3735L*	Without ABS
6. Brake Light Switch	RV-AMR2010	With ABS
7. Hand Brake Warning Switch	RV-ADU2888L	
8. Coolant Temperature Sender for Gauge	RV-PRC6317	3.5-Liter
8. Coolant Temperature Sender for Gauge	RV-PRC7918	3.9-Liter to RA647644
8. Coolant Temperature Sender for Gauge	RV-AMR1425	3.9 from RA647645
8. Coolant Temperature Sender for ECU	LU-SNB802	1993-1995
9. Oil Pressure Switch	RV-STC4104K*	On oil filter housing
10. Washer for STC4104K*	RV-243968	
11. Oxygen Sensor	RV-ERR6729	2 Required



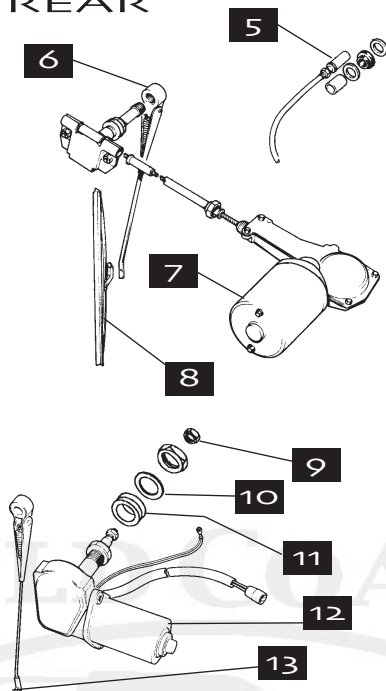
Description	Order Number	Explanatory Notes
1. Head Lamp Assembly	RV-PRC5043	Through 1991
1. Head Lamp Assembly	RV-AMR2069	1992 to PA632634
1. Head Lamp Assembly	RV-AMR3246	PA632635-on
2. Head Lamp Seal	RV-531586	Through 1992
2. Head Lamp Seal	RV-STC1612	1993-on
3. Head Lamp Rim	RV-PRC7992	Through 1992
4. Fog/Driving Lamp Bulb, all	JA-DBC11408	
5. Fog Lamp	RV-PRC8240	Through 1991
5. Fog Lamp	RV-AMR3396	1992-on
6. Driving Lamp	RV-PRC8238	Through 1991
6. Driving Lamp	RV-AMR2005	1992
7. Front Turn Lamp, RH	RV-PRC6164	Through 1991
7. Front Turn Lamp, LH	RV-PRC6165	Through 1991
7. Front Turn Lamp, RH	RV-PRC8947	1992-on
7. Front Turn Lamp, LH	RV-PRC8948	1992-on
7. Euro Style Lamp, White Bottom Lens, RH	RV-PRC8950	
7. Euro Style Lamp, White Bottom Lens, LH	RV-PRC8949	
8. Front Reflector	RV-PRC5463	1987-1992
9. Tail Lamp Assembly	RV-PRC7900	Through 1990, RH
9. Tail Lamp Assembly	RV-PRC7899	Through 1990, LH
9. Tail Lamp Assembly	RV-PRC8954	1991-on, RH
9. Tail Lamp Assembly	RV-PRC8955	1991-on, LH
10. Gasket, Lamp to Body or Lens to Lamp	RV-AEU1525	
11. Side Lens only	RV-RTC5553	Right
11. Side Lens only	RV-RTC5554	Left
12. Tail Lens only	RV-RTC5551	Right
12. Tail Lens only	RV-RTC5552	Left
13. License Plate Lamp	RV-PRC6066	2 Required
14. Bulb for License Lamp	RV-AFU4481	
15. Lens only for License Plate Lamp	RV-RTC3831	
16. Bulb for all above	RV-264591	
17. High Mounted Stop Lamp	RV-PRC9093	

WIPERS, RANGE ROVER CLASSIC

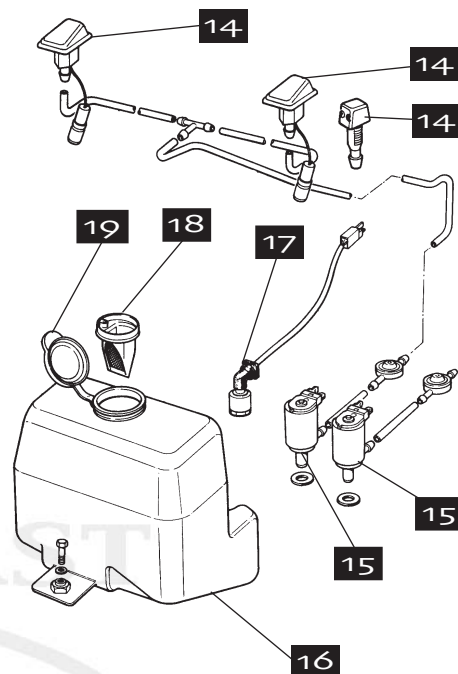
FRONT



REAR

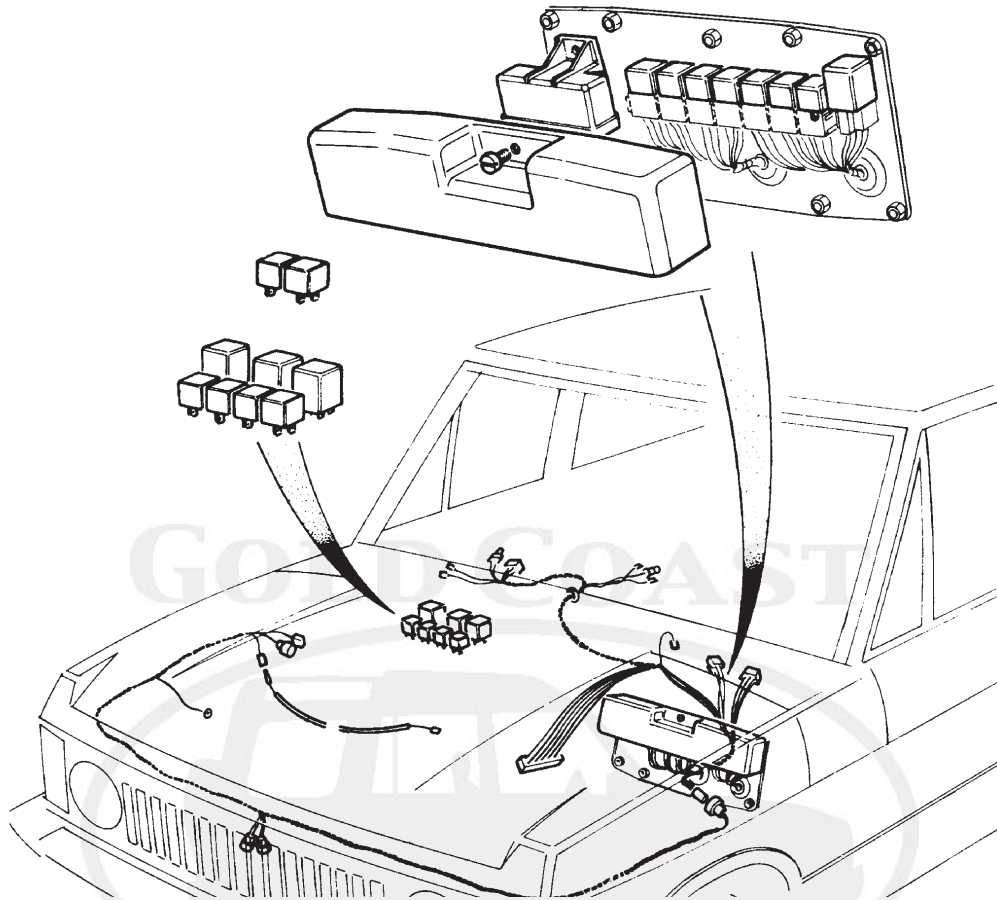


WASHER PARTS



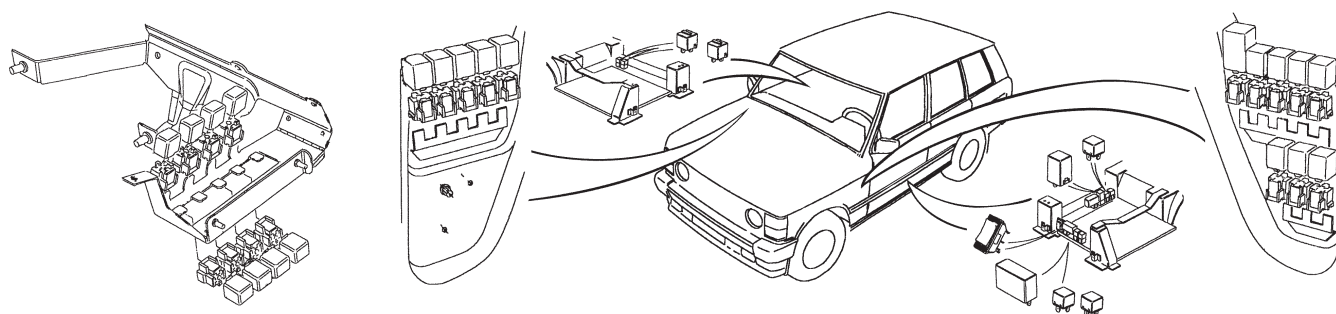
Description	Order Number	Explanatory Notes
1. Wiper Motor, front <i>This is an update kit with a new motor, hardware, etc.</i>	RV-6700	1987-1991
1. Wiper Motor, front	RV-STC495	1992-1994
1. Wiper Motor, front	RV-AMR1517	1995 only
2. Wiper Blade, Front	RV-RTC6787	Through 1989
2. Wiper Blade, Front	RV-DKC100920	1990-on
3. Wiper Arm, Front	RV-PRC1895	Through 1989
3. Wiper Arm, Front	RV-PRC6839	1991-1995
4. Washer Jet, rear, RR	RV-PRC2438	
5. Headlamp Washer Jet	RV-PRC4615	
6. Wiper Arm, Rear	RV-PRC6049	Up to LA413742 (During 1990 Model Year)
6. Wiper Arm, Rear	RV-PRC8223	From LA413743 (During 1990 Model Year)
7. Wiper Motor, Rear	RV-STC3390	Through 1992
7. Wiper Motor, Rear	RV-AMR3958KIT	1993-1995 <i>The original motor is no longer available for these cars. An update kit is required. It includes a later motor, linkage and hardware.</i>
7. Wiper Motor, Rear	RV-AMR3958	1995 from VIN SA659927
8. Wiper Blade, Rear	RV-DKC100920	To RA644141 (1994 MY)
8. Wiper Blade, Rear	RV-PRC9841	1994 & 95 (RA644142-on)
9. 8mm Nut for Rear Wiper Motor	RV-NH108041L	
10. Plastic Washer for Rear Motor	RV-AMR3933	
11. Grommet for Rear Motor	RV-AMR3932	
14. Washer Jet, Non-Heated, front	RV-BDP1723L	
14. Washer Jet, Front, Heated	RV-PRC6895	1993-1995
15. Pump, washer, front or rear	RV-STC1453	Through 1988
15. Pump, washer, front	RV-STC1454	1989-on
15. Pump, washer, rear	RV-STC1453	1989-on
16. Washer Reservoir	RV-AMR3252	Through 1988; also requires RV-AMR3848
16. Washer Reservoir	RV-AMR3252	1989-1994; also requires RV-AMR3848
16. Washer Reservoir	RV-AMR3089	1995
17. Low Fluid Sensor	RV-PRC5440	1993-1995
18. Filter, Washer Reservoir	RV-STC206	
19. Cap, Washer Reservoir	RV-DMG10001L	





Description	Order Number	Explanatory Notes
Flasher Unit	RV-PRC5082	1986-1989
Flasher Unit	RV-PRC8256	1990 & 1991
Interior Light	RV-PRC2832	1986-1990
Interior Light	RV-DCP8989L	1986-1990
Wash/Wipe; Front	RV-PRC5121	1986-1988
Wash/Wipe; Front	RV-AMR2341	1989-1991
Wash/Wipe; Front	RV-PRC4427	1986-1991 Volt-Sensitive
Wash/Wipe; Rear	RV-PRC5638	1986-1988
Wash/Wipe; Rear	RV-PRC9956	1989-1991
Fuel Shut-Off	RV-YWB10032L	1986-1990; to LA4645535
Fuel Shut-Off	RV-YWB10027L	1990-1991; from LA464554-on, 5 Req'd
Window	RV-YWB10032L	1986-1990; to LA464553, 3Req'd
Window	RV-YWB10027L	1990-1991; LA464554-on, 3 Req'd
Window	RV-YWB10027L	1990-1991; LA464554-on
Lamps	RV-ADU1784L	1986-1991; Headlamp Wash
Lamps	RV-YWB10032L	1986-1991; Rear
Ignition Load	RV-YWB10032L	1986-1990; to LA464553
Ignition Load	RV-YWB10027L	1990-1991; LA464554-on
Seat Motor	RV-YWB10032L	1986-1990; to LA464553
Seat Motor	RV-YWB10027L	1990-1991; LA464554-on
Glove Box	RV-YWB10027L	1986-1992
Fuel Injection	RV-AFU2913L	1986-1992; Next to ECU
ABS Light	RV-PRC8531	1986-1992
ABS Valve	RV-PRC9603	1986-1992
ABS Pump	RV-PRC9603	1986-1992

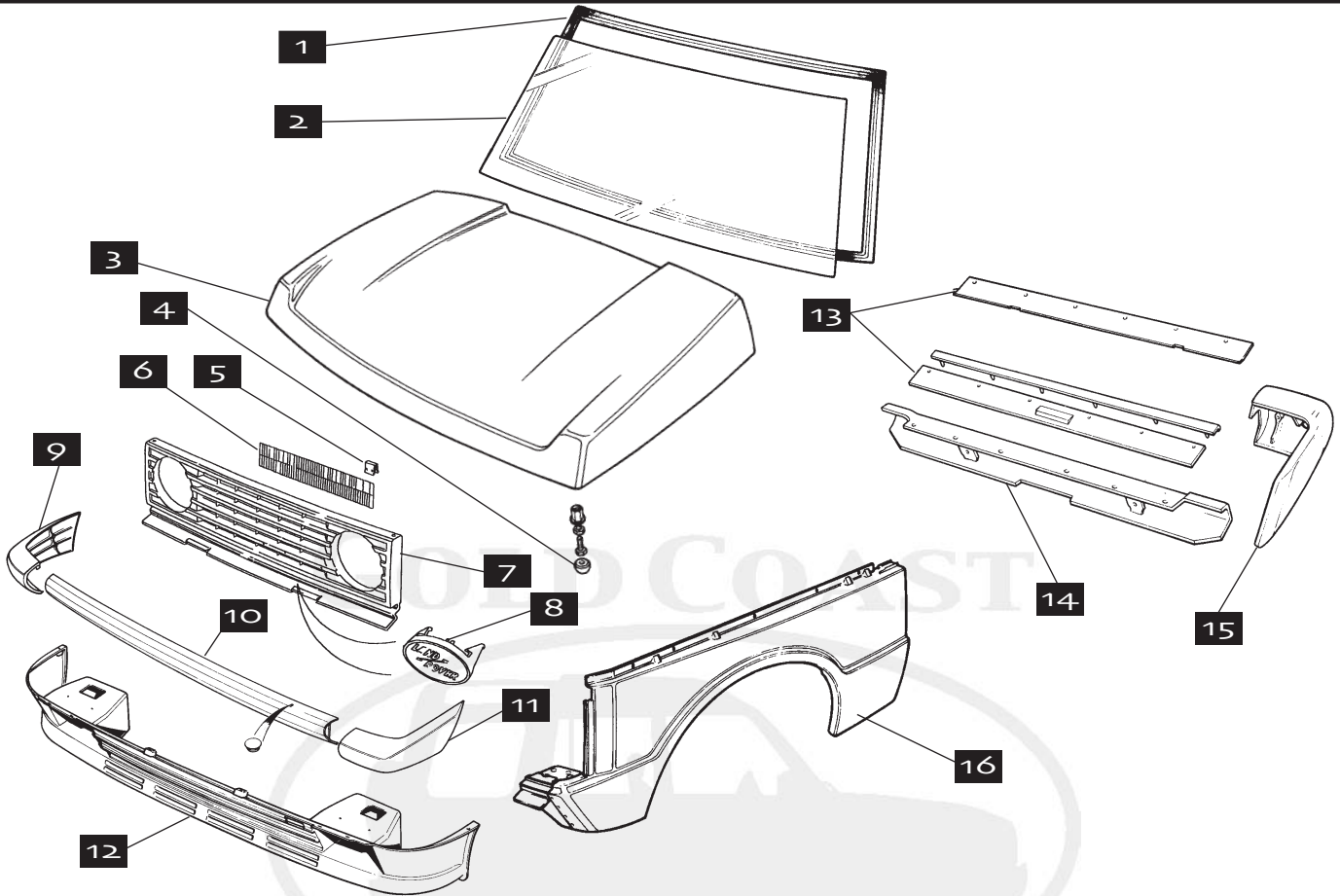
## RELAYS, RANGE ROVER CLASSIC



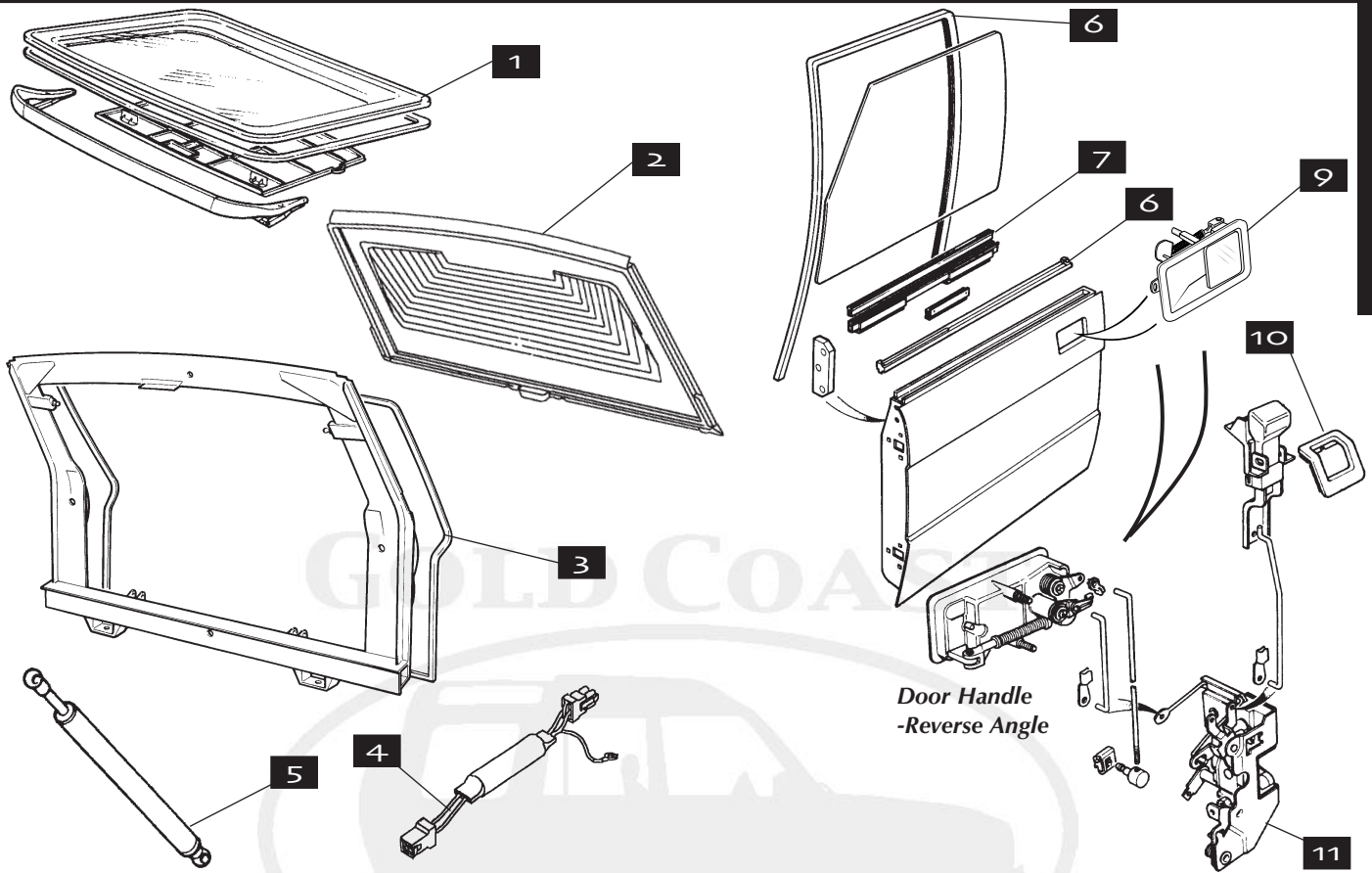
Description	Order Number	Relay Location	Color Code
Ignition Load	RV-YWB10032L	1992, Steering Column Support, Rear	Green
Head Lamp	RV-YWB10027L	1992, Steering Column Support, Rear	Yellow
Heated Rear Window	RV-YWB10027L	1992, Steering Column Support, Rear	Yellow
Starter	RV-YWB10027L	1992, Steering Column Support, Rear	Yellow
Voltage Switch	RV-PRC4427	1992, Steering Column Support, Front	Yellow
Interior Lamps	RV-PRC9948	1992, Steering Column Support, Front	Black
Heated Front Windshield	RV-PRC7303	1992, Steering Column Support, Front	Black
Wiper Motor, Front	RV-AMR2341	1992, Steering Column Support, Front	Red
Wiper Motor, Rear	RV-PRC9956	1992, Steering Column Support, Front	Blue
Flasher Unit	RV-PRC8256	1992, Steering Column Top Bracket	Black
Over-Speed Unit	RV-PRC4268	1992, Steering Column Top Bracket	Black
Fan Timer	RV-AMR3678	1992, Seat Cross Members	Green
Fuel Injection	RV-AFU2913L	1992, Seat Cross Members	Green
Fuel Pump	RV-AFU2913L	1992, Seat Cross Members	Aluminum
Driver's Seat	RV-YWB10032L	1992, Seat Cross Members	Green
Passenger's Seat	RV-YWB10032L	1992, Seat Cross Members	Green
Air Conditioning Diode	RV-PRC7872	1992, RH Footwell, Upper	Orange
Heater & A/C	RV-YWB10032L	1992, RH Footwell, Upper	Green
A/C Clutch	RV-YWB10027L	1992, RH Footwell, Upper	Yellow
A/C Fan	RV-YWB10027L	1992, RH Footwell, Upper	Yellow
Heater & A/C	RV-YWB10027L	1992, RH Footwell, Upper	Yellow
Cruise Control	RV-YWB10032L	1992, RH Footwell, Lower	Green
Load Shed	RV-YWB10027L	1992, RH Footwell, Lower	Yellow
Heated Seat Time	RV-PRC6796	1992, RH Footwell, Lower	Grey
Auxiliary Lamps	RV-YWB10027L	1992, LH Footwell	Yellow
Auto Graphics	RV-YWB10032L	1992, LH Footwell	Green
Sunroof	RV-YWB10027L	1992, LH Footwell	Yellow
Speed Buffer	RV-PRC8882	1992, LH Footwell	White
Starter	RV-YWB10027L	1993-1994, Steering Column Support, Rear	Yellow
Headlamps	RV-YWB10027L	1993-1994, Steering Column Support, Rear	Yellow
Heated Rear Window	RV-YWB10027L	1993-1994, Steering Column Support, Rear	Yellow
Ignition Load	RV-YWB10032L	1993-1994, Steering Column Support, Rear	Green
Auto Graphics	RV-YWB10032L	1993-1994, Steering Column Support, Front	Green
Courtesy Lamps	RV-PRC9948	1993-1994, Steering Column Support, Front	Grey
Heated Front Windshield	RV-PRC7303	1993-1994, Steering Column Support, Front	Black
Front Wiper Unit	RV-AMR2341	1993-1994, Steering Column Support, Front	Black
Rear Wiper Unit	RV-PRC7404	1993-1994, Steering Column Support, Front	Blue
Flasher Unit	RV-PRC8256	1993-1994, Steering Column Top Bracket	Black

Description	Order Number	Relay Location	Color Code
Fuel Injection	RV-AFU2913L	1993-1994, Seat Cross Members	Bosch, Alloy
Fuel Pump	RV-AFU2913L	1993-1994, Seat Cross Members	Bosch, Alloy
Fan Control Module	RV-AMR3678	1993-1994, Seat Cross Members	Green
Delayed Turn-Off	RV-AMR1111	1993-1994, Seat Cross Members	Natural
Passenger's Seat	RV-YWB10027L	1993-1994, Seat Cross Members	Yellow
A/C Compressor	RV-YWB10027L	1993-1994, Seat Cross Members	Yellow
Air Suspension, Green	RV-YWB10032L	1993-1994, Seat Cross Members	Green
Driver's Seat	RV-YWB10032L	1993-1994, Seat Cross Members	Green
A/C Diode	RV-PRC7872	1993-1994, RH Footwell, Upper	Orange
A/C & Heater	RV-YWB10032L	1993-1994, RH Footwell, Upper	Green
A/C Clutch	RV-YWB10027L	1993-1994, RH Footwell, Upper	Yellow
A/C Fan	RV-YWB10027L	1993-1994, RH Footwell, Upper	Yellow
A/C & Heater	RV-YWB10027L	1993-1994, RH Footwell, Upper	Yellow
Cruise Control	RV-YWB10032L	1993-1994, RH Footwell, Lower	Green
Heated Front Screen Timer	RV-PRC6796	1993-1994, RH Footwell, Lower	Grey
Auxiliary Lamps	RV-YWB10027L	1993-1994, LH Footwell	Yellow
Rear Wiper	RV-YWB10027L	1993-1994, LH Footwell	Yellow
Speed Buffer	RV-PRC8882	1993-1994, LH Footwell	White
ABS Warning Light	RV-PRC8531	1993-1994, Under Driver's Seat	Blue
ABS Load	RV-PRC9603	1993-1994, Under Driver's Seat	Black
ABS Pump	RV-PRC9603	1993-1994, Under Driver's Seat	Black
Fan Timer	RV-AMR3678	1995, RH Footwell A-Post	Green
Main Fuel Injection	RV-AFU2913L	1995, RH Footwell A-Post	Bosch, Alloy
Fuel Pump	RV-AFU2913L	1995, RH Footwell A-Post	Bosch, Alloy
A/C	RV-YWB10027L	1995, RH Footwell A-Post	Yellow
A/C	RV-YWB10027L	1995, RH Footwell A-Post	Yellow
Starter	RV-YWB10027L	1995, RH Footwell A-Post	Yellow
Ignition	RV-YWB10032L	1995, RH Footwell A-Post	Green
Front Wiper	RV-YWB10032L	1995, RH Footwell A-Post	Green
Rear Wiper	RV-YWB10032L	1995, LH Footwell A-Post	Green
Horn	RV-YWB10027L	1995, LH Footwell A-Post	Yellow
Aux. Key Position	RV-YWB10027L	1995, LH Footwell A-Post	Yellow
Alarm Sound	RV-YWB10027L	1995, LH Footwell A-Post	Yellow
Hazard Warning	RV-AMR1088	1995, LH Footwell A-Post	Brown
Air Suspension Delay	RV-AMR1111	1995, RH Seat Cross Member	Natural
Heated Seat	RV-YWB10027L	1995, RH Seat Cross Member	Yellow
Power Seat	RV-YWB10027L	1995, RH Seat Cross Member	Yellow
Air Suspension Compressor	RV-YWB10027L	1995, RH Seat Cross Member	Yellow
Air Suspension Warning	RV-YWB10032L	1995, RH Seat Cross Member	Green
Heated Seat	RV-YWB10027L	1995, LH Seat Cross Member	Yellow
Power Seat	RV-YWB10027L	1995, LH Seat Cross Member	Yellow
Bulb Check	RV-YWB10027L	1995, LH Footwell, Hinged Bracket	Yellow
A/C Fans	RV-YWB10027L	1995, LH Footwell, Hinged Bracket	Yellow
Auxiliary Lamps	RV-YWB10027L	1995, LH Footwell, Hinged Bracket	Yellow
Sunroof	RV-YWB10027L	1995, LH Footwell, Hinged Bracket	Yellow
Cruise Control	RV-YWB10032L	1995, LH Footwell, Hinged Bracket	Green
Heated Front Screen	RV-PRC7303	1995, LH Footwell, Hinged Bracket	Black
ABS Warning Light	RV-PRC8531	1995, Under Driver's Seat	Blue
ABS Load	RV-PRC9603	1995, Under Driver's Seat	Black
ABS Pump	RV-PRC9603	1995, Under Driver's Seat	Black

BODY, RANGE ROVER CLASSIC



Description	Order Number	Explanatory Notes	Qty
1. Windshield Seal	RV-MXC7405	Front, LA415621-on	1
2. Windshield	RV-MXC5648	Through 1994	1
2. Windshield	RV-BTR9641	1995	1
3. Bonnet Assembly	RV-RTC6368		1
4. Rubber Buffer, Bonnet	RV-391287		2
5. Clip	RV-MXC3133		2
6. Guard	RV-MXC3070		1
7. Grille	RV-BTR451		1
8. Grille Badge	RV-BTR8068		1
9. Front Bumper Corner Cap	RV-RTC5695	Right	1
10. Front Bumper, Chrome	RV-NTC7041	Through 1994	1
10. Front Bumper, Chrome	RV-ANR2445	1995	1
10. Front Bumper, Black	RV-NTC4281	Through 1994	1
10. Front Bumper, Black	RV-ANR2033	1995	1
11. Front Bumper Corner Cap	RV-RTC5696	Left	1
12. Front Spoiler	RV-MXC6829	1989-1994	1
12. Front Spoiler	RV-BTR7929	1995	1
13. Dust Seal, Rear Bumper	RV-NTC7833		1
14. Rear Bumper	RV-NTC7042	Chrome	1
14. Rear Bumper	RV-NTC3065	Black	1
15. Rear Bumper Corner Cap	RV-NTC5232	Right	1
15. Rear Bumper Corner Cap	RV-NTC5233	Left	1
16. Front Fender	RV-MXC1408	Right, 1990-on	1
16. Front Fender	RV-MXC1409	Left, 1990-on	1

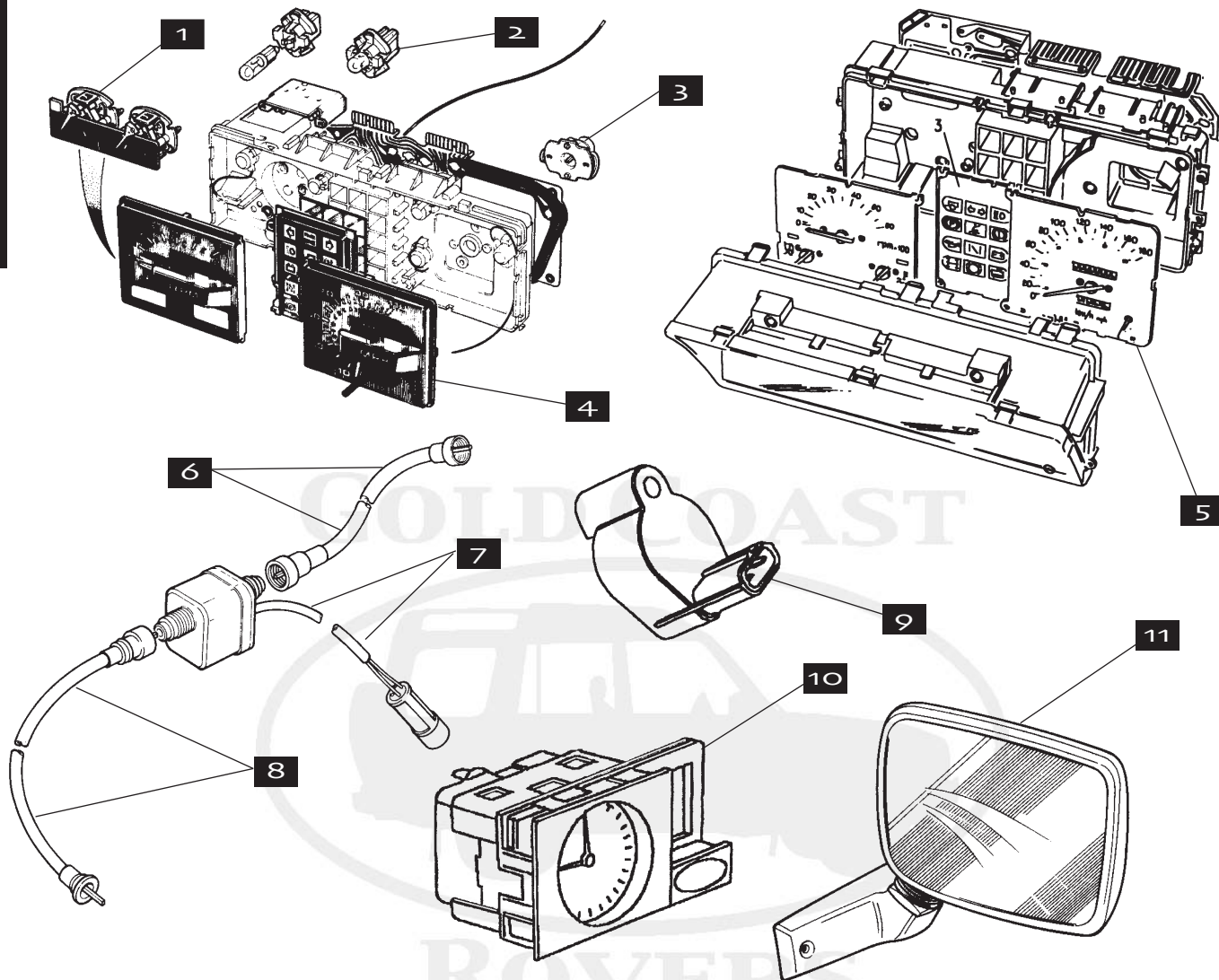


Door Handle  
-Reverse Angle

Description	Order Number	Explanatory Notes	Qty
1. Seal for Glass Panel in Sun Roof	RV-EEQ100400		1
2. Upper Tailgate Assembly	RV-ALR4637	Includes glass	1
3. Rear Tailgate Seal	RV-MTC2398		1
4. Rear Tailgate Noise Suppressor	RV-PRC9549	From LA440801	1
5. Tailgate Gas Strut	RV-MXC7833		2
6. Front Door Glass Channel Seal	RV-MWC9602	Fits right or left	2
7. Inner Seal	RV-MUC2325	Top of front door panel	2
8. Outer Window Squeegee Seal	RV-MXC8014	Front, RH	1
8. Outer Window Squeegee Seal	RV-MXC8015	Front, LH	1
8. Outer Window Squeegee Seal	RV-MXC8016	Rear, RH, 100" Wheelbase (SWB)	1
8. Outer Window Squeegee Seal	RV-MXC8017	Rear, LH, 100" Wheelbase (SWB)	1
8. Outer Window Squeegee Seal	RV-ALR4463	Rear, RH, 107" (LWB)	1
8. Outer Window Squeegee Seal	RV-ALR4464	Rear, LH, 107" (LWB)	1
9. Outer Door Handle, Front	RV-MTC6742	Left, Through 1990	1
9. Outer Door Handle, Front	RV-MTC6738	Right, Through 1990	1
9. Outer Door Handle, Front	RV-MXC8925	Left, Heated, 1991 & 1992	1
9. Outer Door Handle, Front	RV-MXC8924	Right, Heated, 1991 & 1992	1
9. Outer Door Handle, Front	RV-ALR3724	Right, Heated, 1993	1
9. Outer Door Handle, Front	RV-ALR3725	Left, Heated, 1993	1
9. Outer Door Handle, Front	RV-ALR2112	Right, Heated, 1994 & 1995	1
9. Outer Door Handle, Front	RV-ALR2113	Left, Heated, 1994 & 1995	1
9. Outer Door Handle, Rear	RV-MTC9113	Left, All	1
9. Outer Door Handle, Rear	RV-MTC9114	Right, All	1
10. Escutcheon, Door Lock Button	RV-MXC4738RUN		4
11. Inner Door Latch Assembly	RV-MTC7593	Right Front	1
11. Inner Door Latch Assembly	RV-MTC7592	Left Front	1

\* Denotes Aftermarket Part

GAUGES & MIRRORS, RANGE ROVER CLASSIC



Description	Order Number	Explanatory Notes	Qty
1. Fuel Gauge	RV-PRC5932	1987-1992	1
2. Bulb and Holder	RV-ADU6262L	Through 1988	19
3. Speedo Cable Angle Drive	RV-PRC4352	USA-Spec. to KA399972	1
4. Speedometer, MPH	RV-PRC4348	To KA399972	1
5. Speedometer	RV-RTC6599	1993-1995	1
6. Speedometer Cable	RV-PRC6278	Upper	1
7. Speedometer Transducer	RV-AMR3386	Through 1994	1
8. Speedometer Cable	RV-PRC7826	Through 1989; Lower.	1
<b>Note: This is an updated cable that also requires RV-NTC6115 heat shield and one RV-FN110047 nut.</b>			
8. Speedometer Cable	RV-PRC7949	Lower, 1990	1
9. Speed Sensor	RV-YBE100540	1995	1
10. Clock	RV-STC1802	1995 only	1
11. Door Mirror, Right	RV-STC1587	Through 1989	1
11. Door Mirror, Right	RV-BTR4824	1990-1995, Non-Memory	1
11. Door Mirror, Right	RV-BTR4819	1993-1995, Memory	1
11. Door Mirror, Left	RV-STC1303	Through 1989	1
11. Door Mirror, Left	RV-BTR5816	1990-1995, Non-Memory	1
11. Door Mirror, Left	RV-BTR5817	1993-1995, Memory	1

# R A N G E R O V E R L A N D R O V E R

## County **LWB** County



# GOLD COAST

Description	Order Number	Explanatory Notes
"LAND ROVER" Grille Badge	RV-MWC5467	Through 1988
"LAND ROVER" Grille Badge	RV-BTR8068	1989-1995
"RANGE ROVER" Decal	RV-MUC2955LMP	On hood, Through 1989, (not LSE)
"RANGE ROVER" Decal	RV-MUC2955SUA	On hood, Through 1989, LSE Version
"RANGE ROVER" Decal	RV-BTR5653LVC	On hood, 1993-on, Dark Grey up to PA631126
"RANGE ROVER" Decal	RV-BTR7036MUL	On hood, Mid Silver (1993)
"RANGE ROVER" Decal	RV-BTR7033PME	On hood, 1993-on, Black
"RANGE ROVER" Decal	RV-BTR7033MUL	On hood, 1993-on, Silver
"RANGE ROVER" Decal	RV-BTR8571SUA	On hood, 1993-on, Sorrel Brown
"RANGE ROVER" Decal	RV-MUC2956LMP	On Tail Gate, Through 1989, LSE only; Nimbus
"RANGE ROVER" Decal	RV-BTR5652MUK	On Tailgate, Mid Silver (1993)
"RANGE ROVER" Decal	RV-BTR7032PME	On Tailgate, 1993-on, Black
"RANGE ROVER" Decal	RV-BTR7032MUL	On Tailgate, 1993-on, Silver
"RANGE ROVER" Decal	RV-BTR8570SUA	On Tailgate, 1993-on, Sorrel Brown
"RANGE ROVER" Decal	RV-RTC6463	Hood and/or Tailgate, 1990 thru 1992, Brown
"RANGE ROVER" Decal	RV-RTC6465	Hood and/or Tailgate, 1990 thru 1992, Silver
"Hunter" Decal	RV-RTC7661	
"County SE" Decal	RV-RTC7711	
"Land Rover" oval on gate	RV-BTR1047	
"County" Decal	RV-RTC7642	Silver, Through 1992
"County" Decal	RV-RTC7642NG	Grey, Through 1992
"LSE" Decal	RV-RTC7744	
"County" Badge, radio	RV-RTC7643	
"County LWB" Decal, Tailgate	RV-BTR7036PME	Black
"County LWB" Decal, Tailgate	RV-BTR7036MUL	Silver
"County LWB" Decal, Tailgate	RV-BTR8573SUA	Sorrel Brown
"County" Decal, Tailgate (SWB cars)	RV-BTR5940MUK	Mid Silver (1993)
"County" Decal, Tailgate (SWB cars)	RV-BTR7040PME	Black
"County" Decal, Tailgate (SWB cars)	RV-BTR7040MUL	Silver
"County" Decal, Tailgate (SWB cars)	RV-BTR8572SUA	Sorrel Brown
"Range Rover" on Hood	RV-BTR7033PME	25th Anniversary Limited Edition only
"Range Rover" on gate	RV-BTR7032PME	25th Anniversary Limited Edition only
"Classic" Badge, tailgate	RV-AWR2617	25th Anniversary Limited Edition only